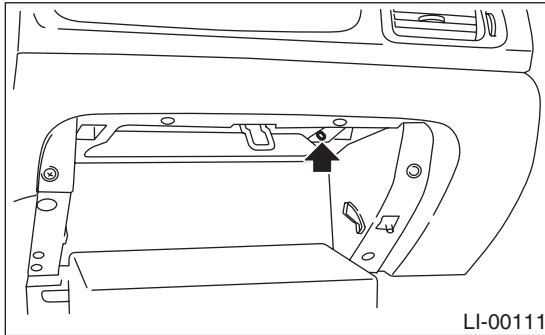


24. Glove Box Light

A: REMOVAL

- 1) Disconnect ground cable from battery.
- 2) Remove glove box. <Ref. to EI-34, REMOVAL, Glove Box.>
- 3) Disconnect harness connector.
- 4) Remove glove box light.



B: INSTALLATION

Install in the reverse order of removal.

C: INSPECTION

- 1) Visually check the bulb for blow out.
- 2) Check the bulb specification. <Ref. to LI-2, SPECIFICATIONS, General Description.>
- 3) If NG, replace the bulb with a new one.