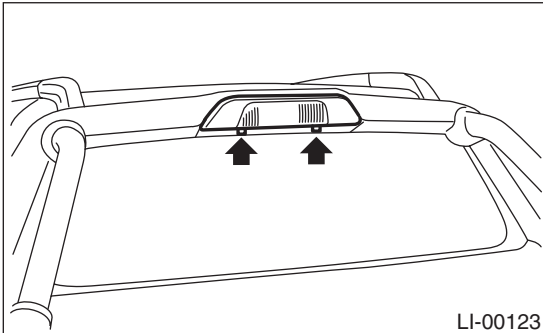


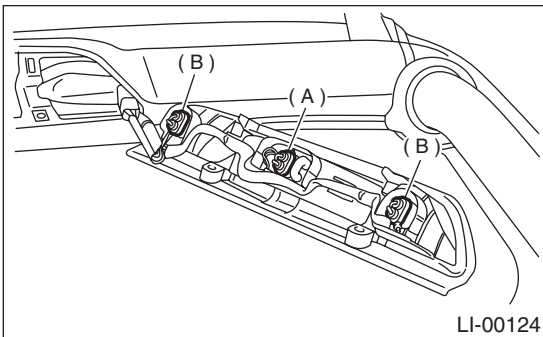
26. Cargo Light System

A: REMOVAL

1) Remove bolts and remove high-mounted stop light.



2) Turn the socket and remove the bulb.



- (A) High-mounted stop light bulb
- (B) Cargo light bulb

B: INSTALLATION

Install in the reverse order of removal.

C: INSPECTION

1. CARGO LIGHT BULB

- 1) Visually check the bulb for blow out.
- 2) Check the bulb specification. <Ref. to LI-2, SPECIFICATIONS, General Description.>
- 3) If the requirement is not satisfied, replace it with a new one.

2. CARGO LIGHT SWITCH

Measure resistance of cargo light switch.

Switch position	Terminal No.	Standard
OFF	—	More than 1 MΩ
ON	3 and 5	1.5±0.5 Ω