

3. Front Fog Light System

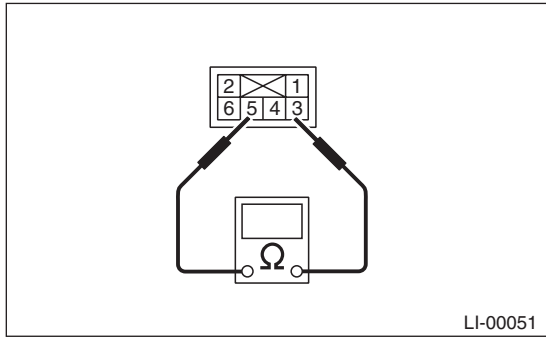
A: SCHEMATIC

<Ref. to WI-128, SCHEMATIC, Front Fog Light System.>

B: INSPECTION

1. FRONT FOG LIGHT SWITCH

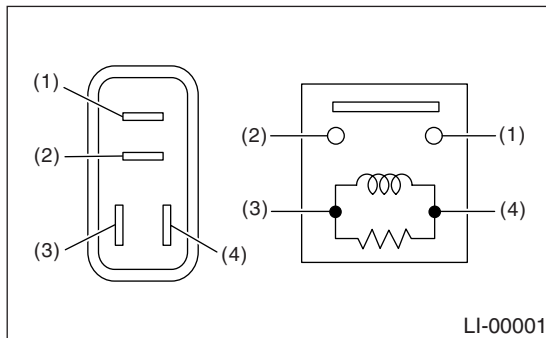
Measure front fog light switch resistance.



Switch position	Terminal No.	Standard
OFF	—	More than 1 MΩ
ON	3 and 5	Less than 1 Ω

2. FRONT FOG LIGHT RELAY

Measure front fog light relay resistance between terminals while connecting terminal No. 4 to battery positive terminal and terminal No. 3 to battery ground terminal.



Current	Terminal No.	Standard
Flow	1 and 2	Less than 1 Ω
No flow		More than 1 MΩ