

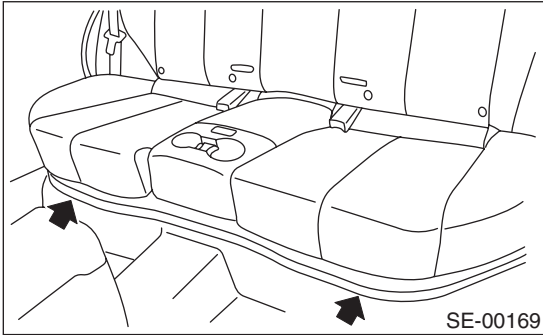
REAR SEAT

SEATS

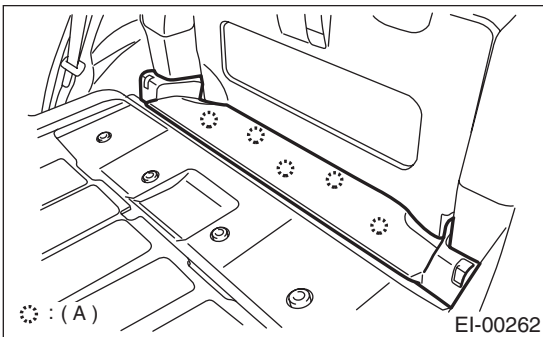
3. Rear Seat

A: REMOVAL

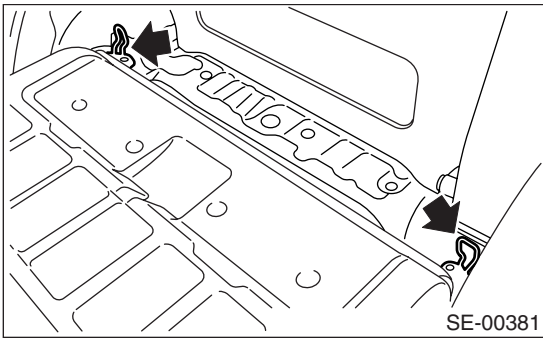
1) Remove bolts and remove seat cushion.



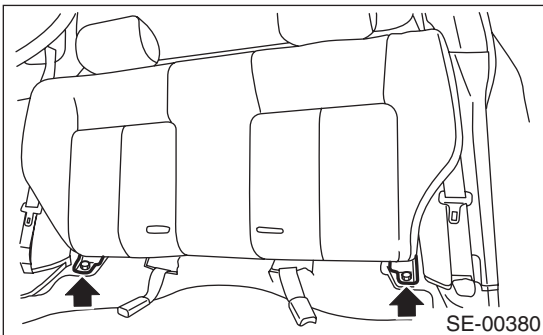
2) Remove floor trim panel.



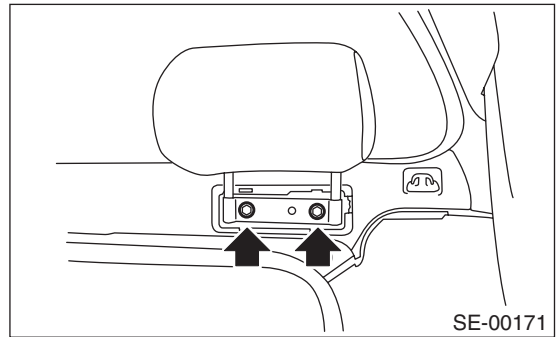
3) Remove rear bolt of bracket hinge.



4) Remove front side bolt of bracket hinge.



5) Remove rear bulk head trim cover. Remove bolt and remove backrest.



B: INSTALLATION

Install in the reverse order of removal.

Tightening torque:

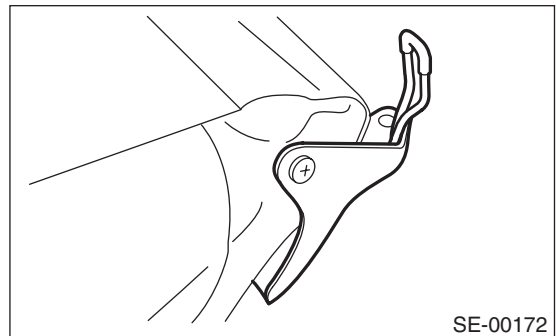
Refer to **COMPONENT** in *General Description*.

<Ref. to SE-4, REAR SEAT, COMPONENT, General Description.>

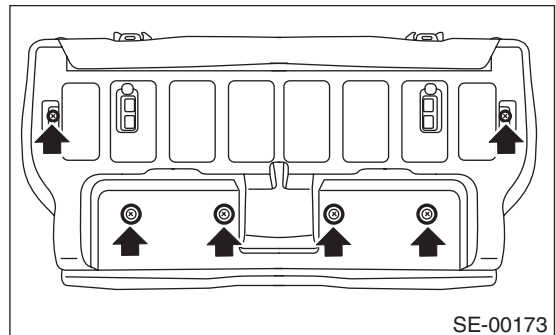
C: DISASSEMBLY

1) Remove rear seat. <Ref. to SE-14, REMOVAL, Rear Seat.>

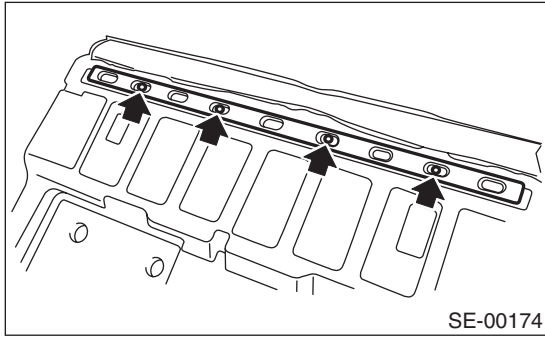
2) Remove bolts and detach bracket hinge.



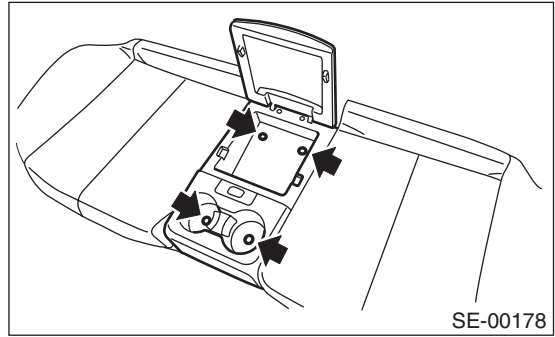
3) Remove seat back screws.



4) Turn over seat upper cover, and remove plate.

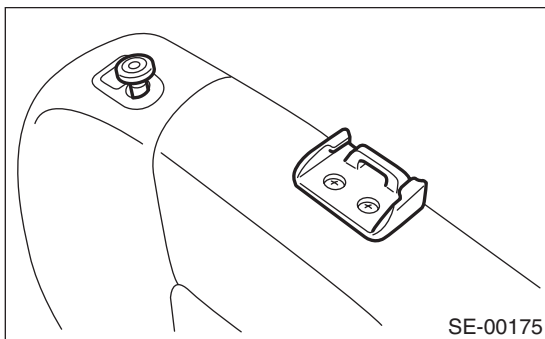


9) Remove rear seat console box.

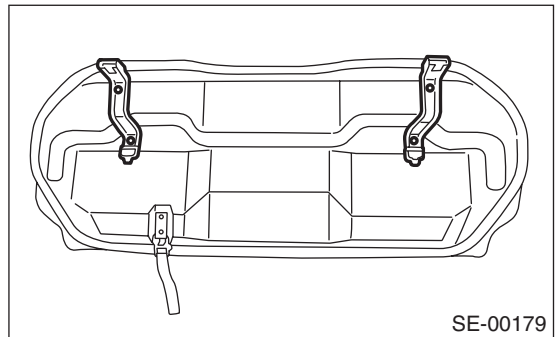


5) Remove seat back.

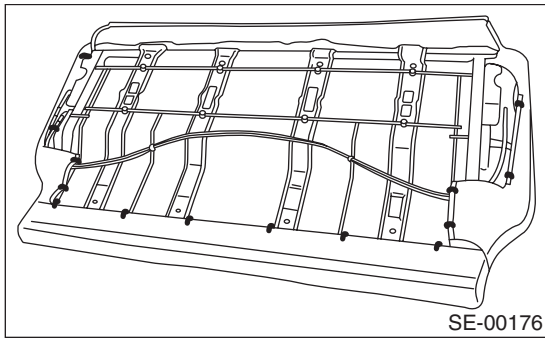
6) Remove rotating rear back release knob counterclockwise. Remove backrest hook.



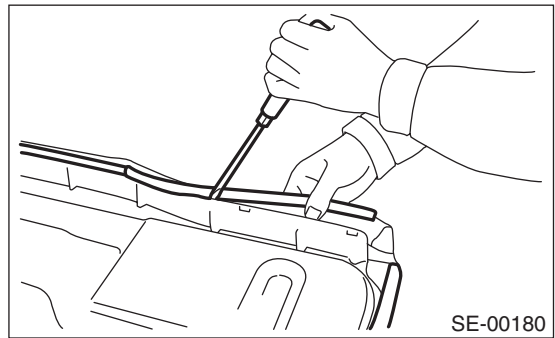
10) Remove bolts and detach cushion hinge.



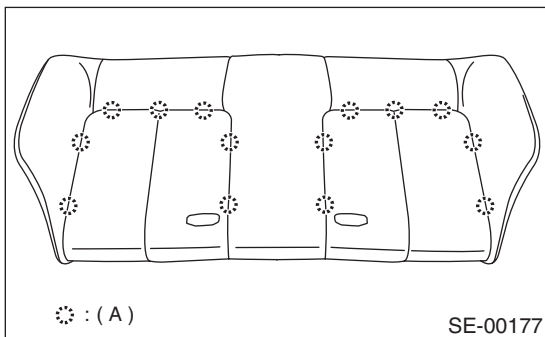
7) Remove hog ring.



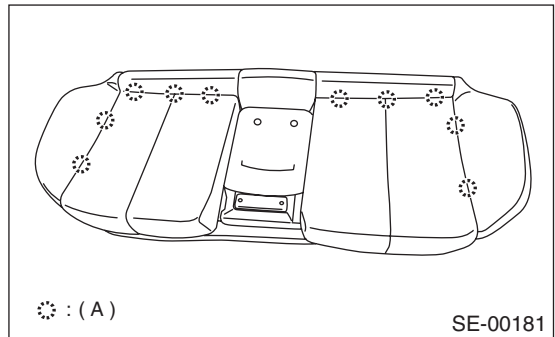
11) Remove hook and frame.



8) Remove hog ring and detach cover.



12) Remove hog rings and detach cover.



(A) Hog ring

(1) Hog ring

D: ASSEMBLY

Install in the reverse order of removal.

NOTE:

- Do not contaminate or damage cover.
- While installing hog rings, prevent seat from getting wrinkled.