

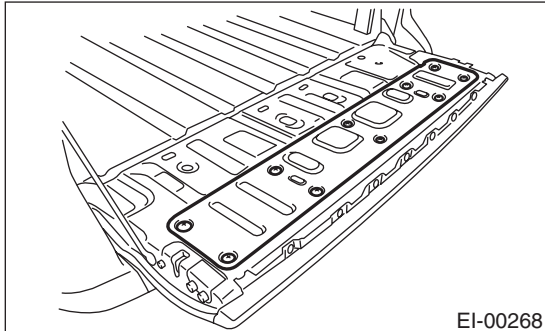
TAIL GATE LATCH ASSEMBLY

SECURITY AND LOCKS

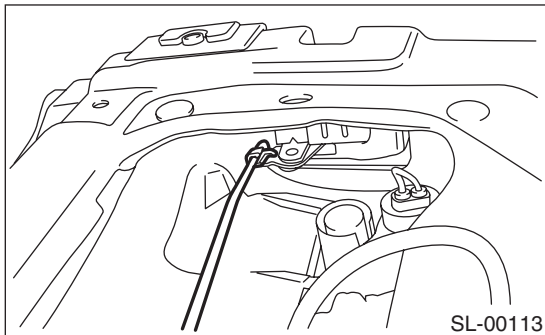
27. Tail Gate Latch Assembly

A: REMOVAL

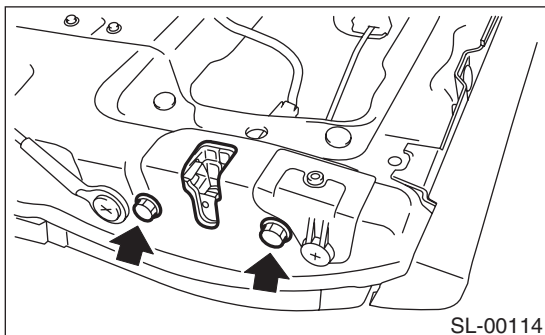
- 1) Remove tail gate tray. <Ref. to EI-56, REMOVAL, Tail Gate Tray.>
- 2) Remove tail gate cover.



- 3) Remove rod clamp.



- 4) Remove bolts and tail gate latch.



B: INSTALLATION

Install in the reverse order of removal.

Tightening torque:

25 N·m (2.5 kgf·m, 18.1 ft·lb)

NOTE:

After installing, make sure the lock operates properly.

C: INSPECTION

- 1) Make sure the rod is not deformed.
- 2) Make sure the lever and rod work smoothly.