

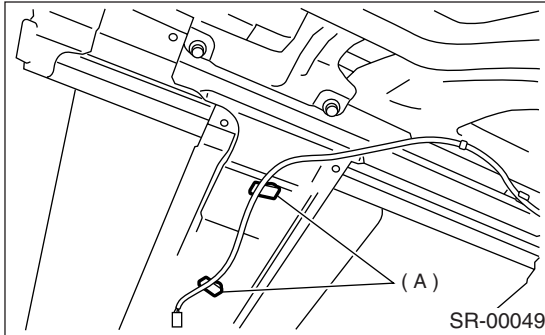
SUNROOF ASSEMBLY

SUNROOF/T-TOP/CONVERTIBLE TOP (SUNROOF)

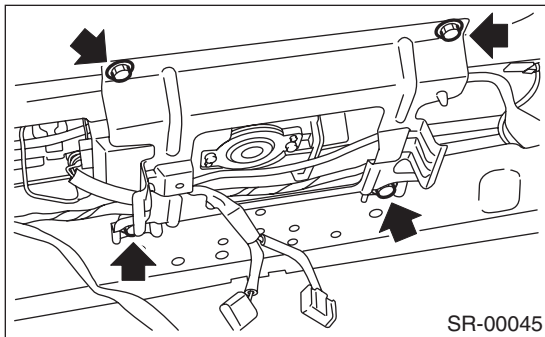
4. Sunroof Assembly

A: REMOVAL

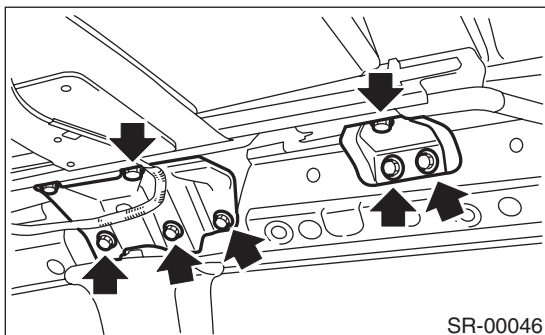
- 1) Disconnect ground cable from battery.
- 2) Remove roof trim. <Ref. to EI-44, REMOVAL, Roof Trim.>
- 3) Remove sunroof lid. <Ref. to SR-5, REMOVAL, Sunroof Lid.>
- 4) Disconnect drain tube from sunroof frame.
- 5) Remove room lamp harness clip (A).



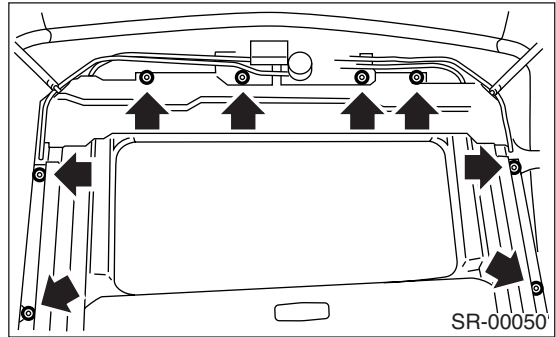
- 6) Disconnect sunroof harness connector.
- 7) Remove motor cover.



- 8) Remove sunroof brackets.



- 9) Remove nuts then detach the sunroof frame.



B: INSTALLATION

Install in the reverse order of removal.

CAUTION:

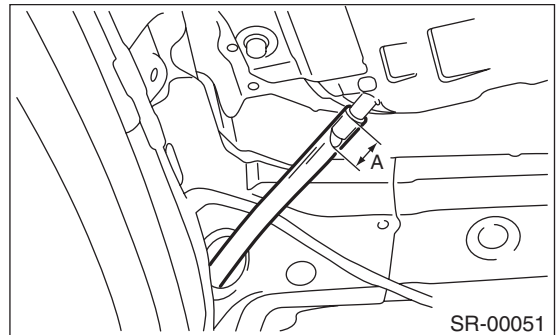
Be careful not to snag the harness.

NOTE:

- Make sure to connect harness connector.
- When installing drain tube, insert it securely onto drain pipe.

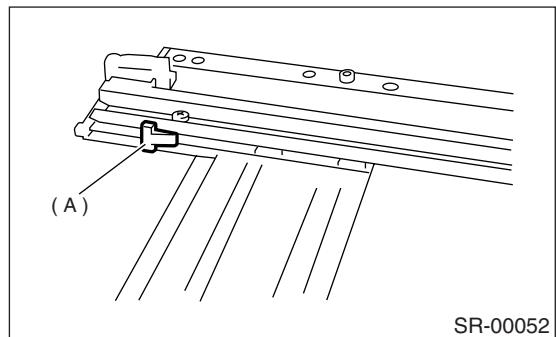
Length A:

15 mm (0.59 in) or more



C: DISASSEMBLY

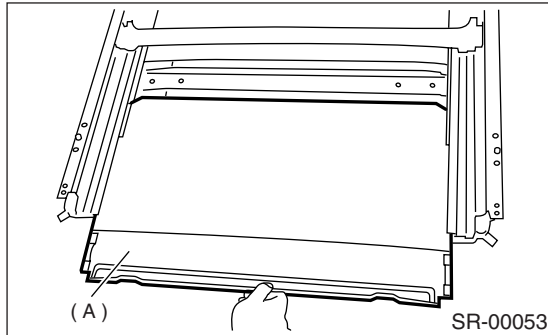
- 1) Remove sunroof frame.
- 2) Remove rail stoppers (A).



SUNROOF ASSEMBLY

SUNROOF/T-TOP/CONVERTIBLE TOP (SUNROOF)

3) Pull out the sunshade (A) from sunroof frame.



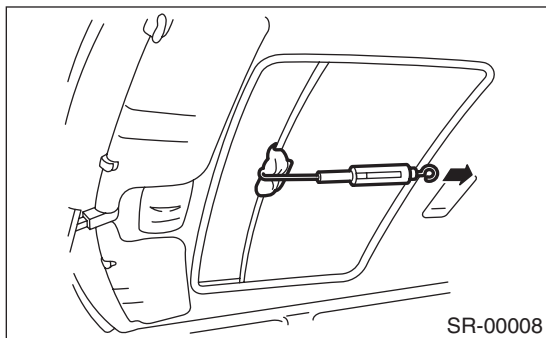
D: ASSEMBLY

Assemble in the reverse order of disassembly.

E: INSPECTION

1. CHECK FOR MOVEMENT OF SUNSHADE

1) Place a cloth on sunshade edge, and attach a spring scale.



2) Pull spring scale backward, and measure the load to move the sunshade.

Load to move rear sunshade:

Less than 24.5 ± 4.9 N (2.5 ± 0.5 kgf, 5.5 ± 1.1 lb)

NOTE:

Considerable load is required to start pulling spring scale, so take a scale reading when it moves smoothly.

3) If the measured value is more than the specified value, check sunroof lid, sunshade and guide rail assembly for improper installation.