

# SUNROOF MOTOR

SUNROOF/T-TOP/CONVERTIBLE TOP (SUNROOF)

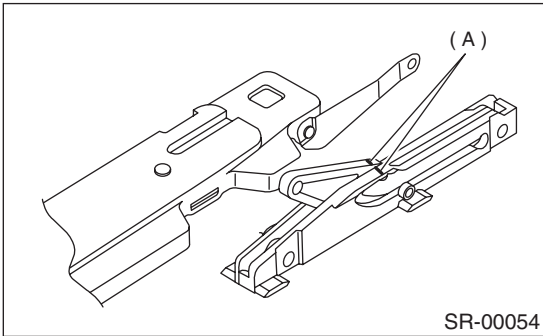
## 5. Sunroof Motor

### A: REMOVAL

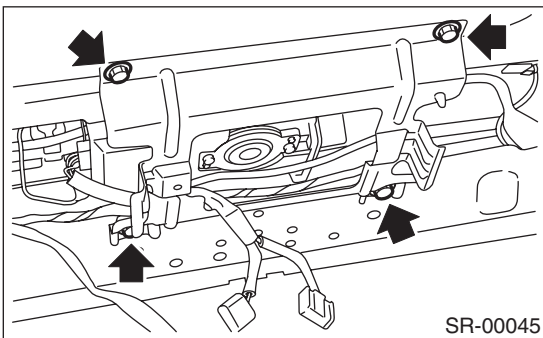
#### CAUTION:

When removing clip, use great care not to damage the roof trim.

- 1) Completely close the sunroof.
- 2) Disconnect ground cable from battery.
- 3) Remove sunroof lid. <Ref. to SR-5, REMOVAL, Sunroof Lid.>
- 4) Confirm the matching mark (A) of rear sunroof bracket link and the guide from sunroof opening. (If the mark does not match, adjust to match the mark.)



- 5) Remove roof trim. <Ref. to EI-44, REMOVAL, Roof Trim.>
- 6) Remove motor cover.



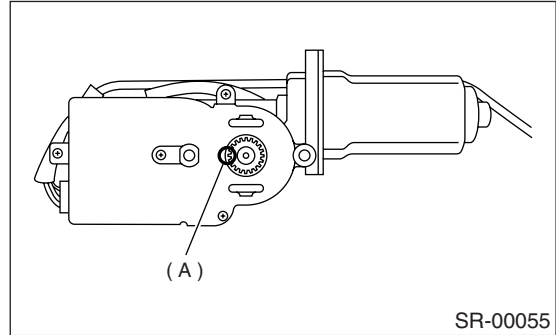
- 7) Disconnect harness connector and remove sunroof motor mounting screw.

### B: INSTALLATION

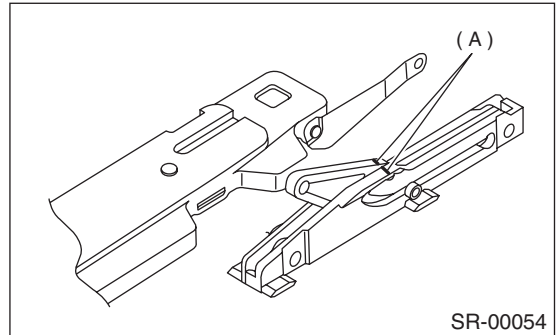
#### CAUTION:

- Never rotate the sunroof motor while removed.
- Be careful not to move the sunroof cable when installing sunroof motor.

- 1) Check the matching mark (A) of sunroof motor.



- 2) Confirm the matching mark (A) of sunroof bracket link.



- 3) Install sunroof motor.
- 4) After installing the motor, reconfirm the matching marks of motor side and sunroof bracket link side.
- 5) Connect sunroof motor harness connector and then connect battery ground cable.

# SUNROOF MOTOR

SUNROOF/T-TOP/CONVERTIBLE TOP (SUNROOF)

---

6) Check the sunroof operation in order as shown in the table.

Operation	Switch position
Completely close sunroof.	Closed
Tilt-up sunroof to most upper position.	Tilt up
Completely lower sunroof.	Tilt down
Open sunroof to near the completely open position.	Open
Completely open sunroof.	Open
Close sunroof 150 mm (5.91 in) away from completely closed position.	Closed
Completely close sunroof.	Closed

7) Install sunroof lid and trim in the reverse order of removal.