

# GENERAL DESCRIPTION

## WIPER AND WASHER SYSTEMS

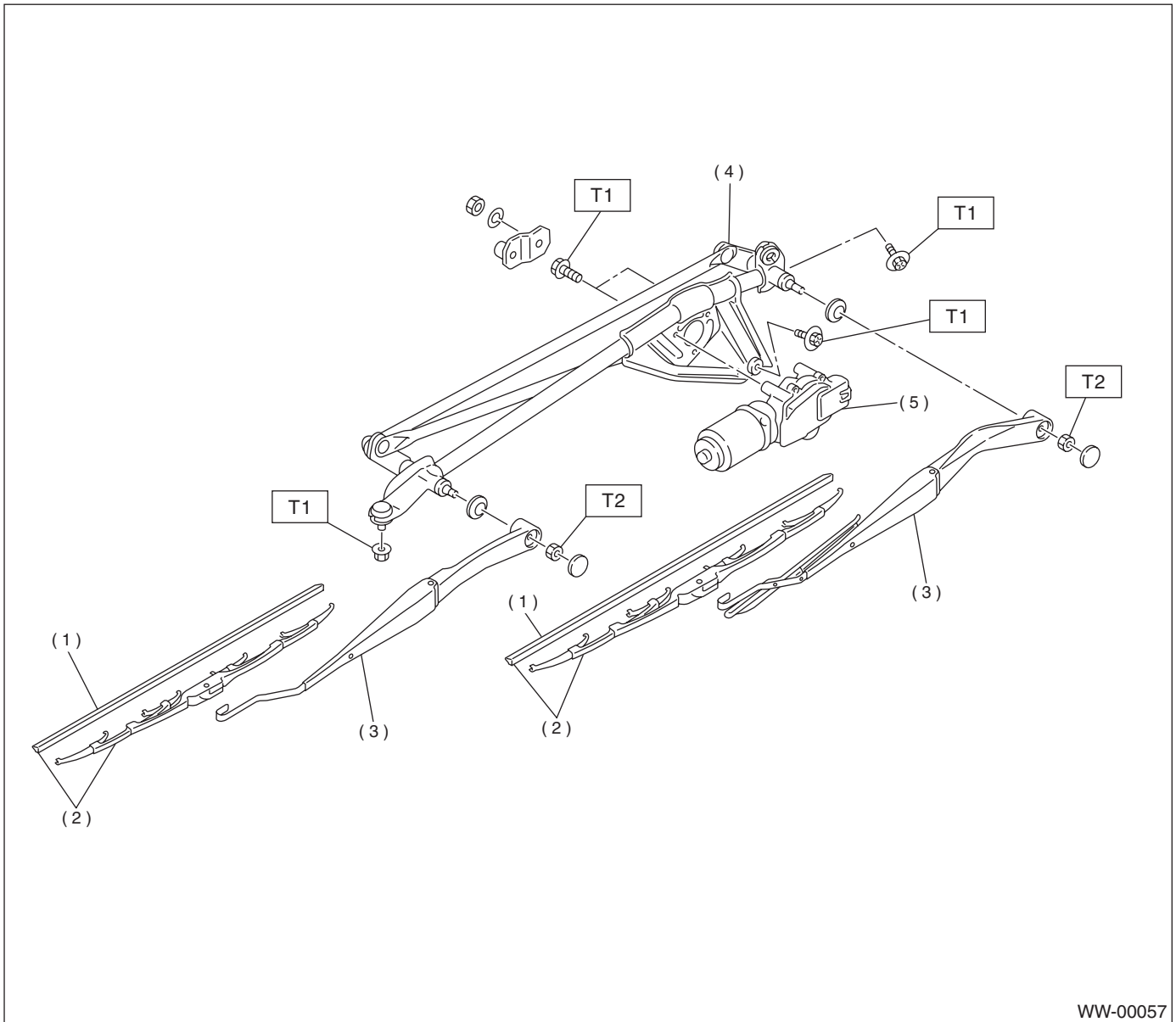
### 1. General Description

#### A: SPECIFICATIONS

Front wiper motor	Input	12 V — 72 W or less
Front washer motor	Pump type	Centrifugal
	Input	12 V — 36 W or less

#### B: COMPONENT

##### 1. FRONT WIPER



- (1) Wiper rubber
- (2) Wiper blade ASSY
- (3) Wiper arm

- (4) Wiper link
- (5) Wiper motor

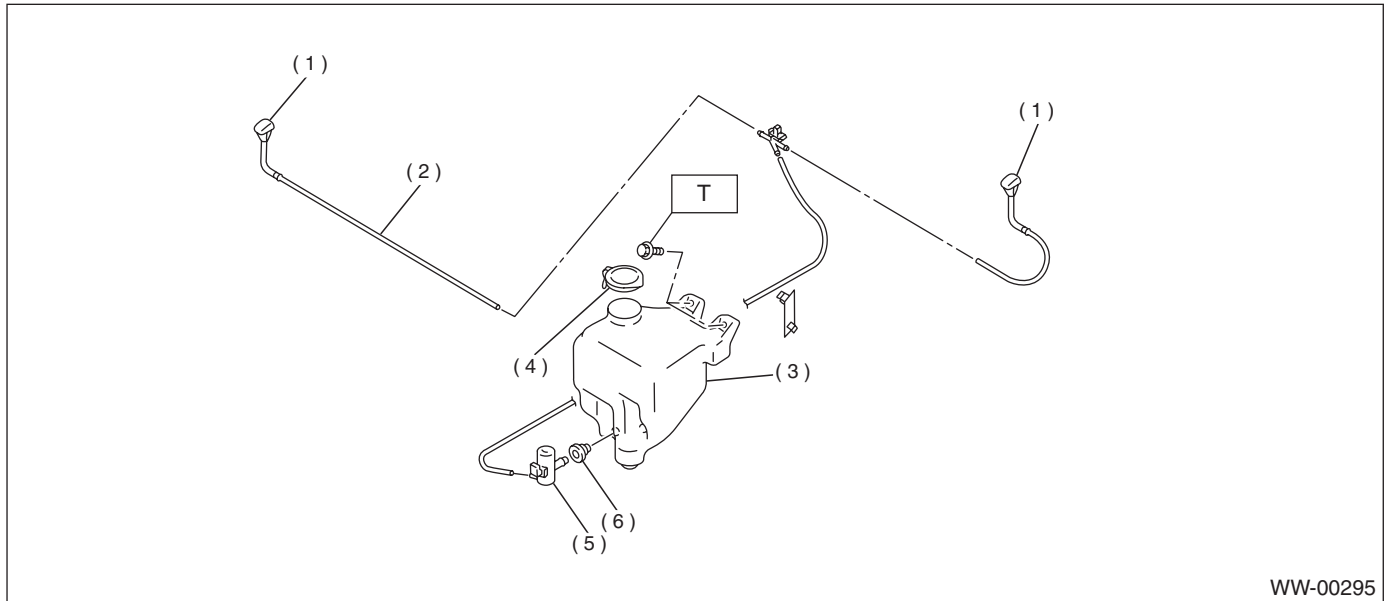
**Tightening torque: N-m (kgf-m, ft-lb)**

**T1: 6.0 (0.61, 4.4)**

**T2: 20 (2.0, 14.5)**

# GENERAL DESCRIPTION

## 2. WASHER TANK



- (1) Washer nozzle
- (2) Washer hose
- (3) Washer tank
- (4) Washer tank cap

- (5) Front washer motor
- (6) Grommet

---

**Tightening torque: N-m (kgf-m, ft-lb)**  
**T: 6.0 (0.6, 4.3)**

---

## GENERAL DESCRIPTION

### WIPER AND WASHER SYSTEMS

---

#### **C: CAUTION**

- Reconnect connectors and hoses securely. After reconnecting, confirm that each function operates normally.
- Be careful that wire harnesses of airbag system pass near electrical parts and switches.
- Wire harnesses and connectors of all airbag system are yellow color. Do not use a tester on these circuits.
- Care must be taken when installing the piping hose so that no bending, jamming, etc. are caused.
- If even a little oil or grease such as silicon oil gets in the tank and washer passages, an oil film easily forms on the glass, causing the wiper to chatter and judder. Therefore, be careful not to let this happen.