

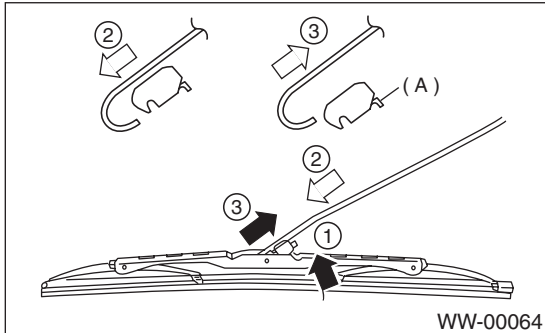
# WIPER BLADE

## WIPER AND WASHER SYSTEMS

### 4. Wiper Blade

#### A: REMOVAL

While pushing locking clip (A) up, pull out blade from arm to arrow direction.

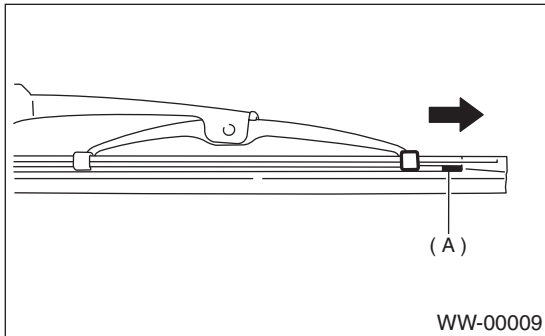


#### B: INSTALLATION

- 1) Install in the reverse order of removal.
- 2) Confirm that clip was locked securely.

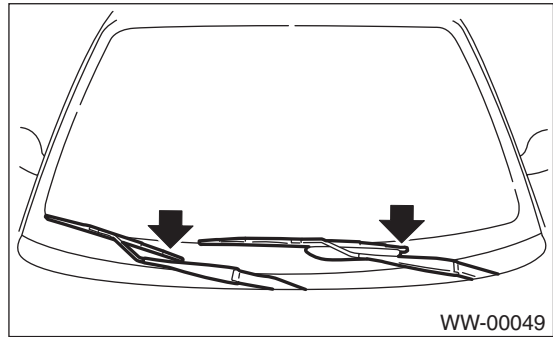
#### C: DISASSEMBLY

Pull on side (A) of the wiper rubber stopper and remove the rubber from the blade assembly.

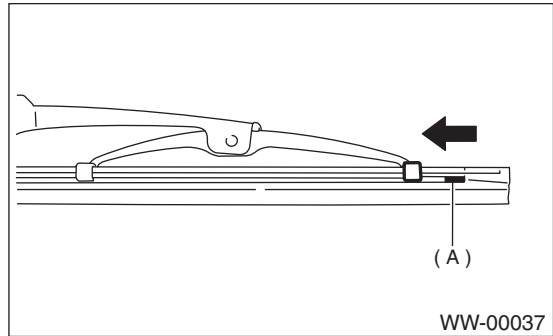


#### D: ASSEMBLY

- 1) Insert the wiper rubber onto the blade so that the stopper is in the position shown (at the bottom of the wiper arm).



- 2) Make sure the wiper rubber is securely fastened to the pull stopper (A).



#### E: INSPECTION

- 1) When the wiper does not perform well, inspect the following:
  - Make sure the movable part of the blade assembly moves smoothly.
  - Make sure the wiper rubber is not deformed or damaged.
- 2) Replace with a new part if damage is found.