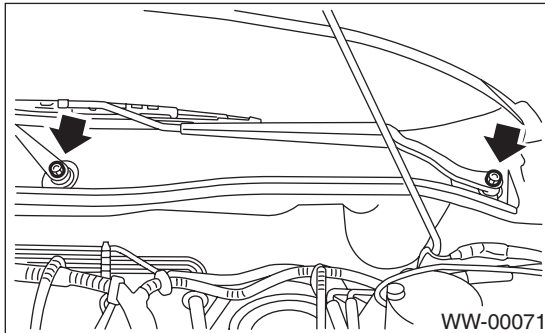


6. Front Wiper Arm

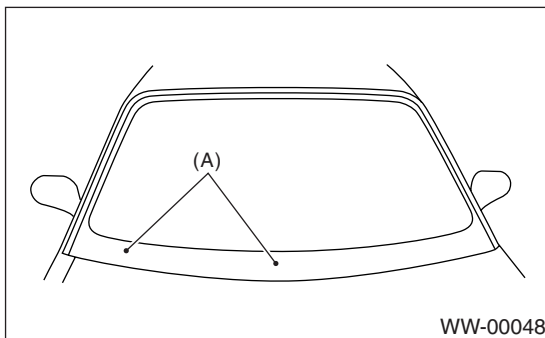
A: REMOVAL

- 1) Open front hood.
- 2) Remove cap.
- 3) Remove nut to remove arm.



B: INSTALLATION

- 1) Install in the reverse order of removal.
- 2) Operate wiper once.
- 3) Align wiper blade to ceramic print point mark (A) of front window pane.



Tightening torque:

Refer to COMPONENT in General Description. <Ref. to WW-2, FRONT WIPER, COMPONENT, General Description.>

C: ADJUSTMENT

Operate wiper once. Align wiper blade to ceramic print point mark (A) of front window pane.

