

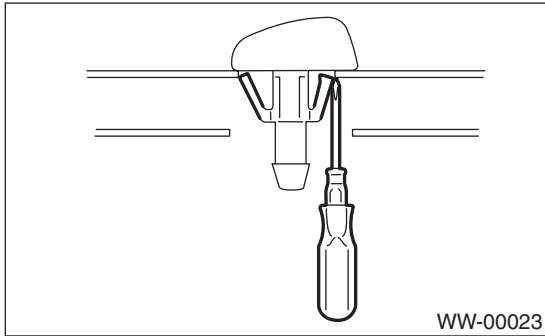
FRONT WASHER NOZZLE

WIPER AND WASHER SYSTEMS

8. Front Washer Nozzle

A: REMOVAL

- 1) Remove the washer hose from the washer nozzle.
- 2) Open the clips on the underside of the front hood with a thin screwdriver or other tool, and remove the washer nozzle.



B: INSTALLATION

Install in the reverse order of removal.

C: INSPECTION

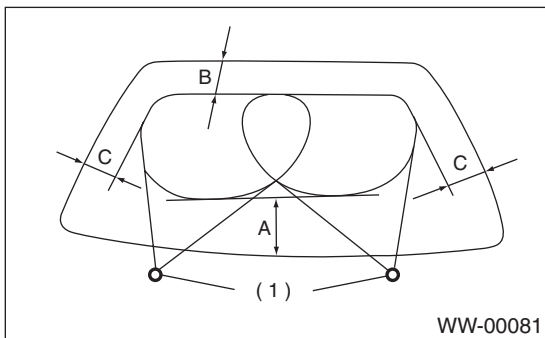
- Make sure the nozzle and hose are not clogged.
- Make sure the hose is not bent.
- Make sure the washer injection positions are the same as the ones shown in the figure.

Injection position:

A: 300 mm (11.81 in)

B: 100 mm (3.94 in)

C: 200 mm (7.87 in)



(1) Nozzle

If the injection positions are not as specified, replace the nozzle.