

1. Pre-delivery Inspection

A: GENERAL

The purposes of the pre-delivery inspection (PDI) are as follows.

- Remove the additional parts used for ensuring the vehicle quality during transportation and restore the vehicle to its normal state.
- Check if the vehicle before delivery is in a normal state.
- Check for any damage or missing parts that may have taken place during transportation or storage.
- Make sure to provide a complete vehicle to the customer.

Because of the above reasons, all dealerships must always carry out the PDIs before delivering a vehicle.

In addition, all franchised shops and PDI centers must check the status of every vehicle received to identify who is responsible for any possible defects.

B: PDI PROCEDURE

Follow the procedures shown in the table below.

Static Checks Just After Vehicle Receipt

Step	Check point
1. Appearance check	(1) If the vehicle is covered with protective film, visually check the vehicle body for damage and dents. (2) If the protective film has been removed, visually check the body paints for small areas of damage or stains. (3) Visually check the glass and light lenses for any damage and cracks or excessive gaps to the body sheet metal. (4) Visually check the plated parts for any damage.
2. Tire check	(1) Check the tires for damage, abnormal conditions, and dents on the wheels. (2) Check the tire air pressure.
3. Fuse installation	(1) If the vehicle is about to be delivered to the customer, attach a fuse.
4. Connection of air conditioner relay	(1) If the vehicle is about to be delivered to the customer, connect the air conditioner relay.
5. Check the door operations for lock/unlock and open/close, as follows.	(1) Using the key, check if the door can be locked and unlocked normally. (2) Open and close the all doors to see that there are no abnormal conditions.
6. Check the operation of child safety locks.	(1) Inspect whether child safety locks operate properly.
7. Check the tail gate for lock/unlock and open/close operations.	(1) Using the key, check if the tail gate can be lock and unlocked normally. (2) Open and close the tail gate to see that there are no abnormal conditions. (3) Operate the power door locking switch to check that the tail gate is locked and unlocked normally.
8. Accessory check	Check the following accessories are provided: <ul style="list-style-type: none"> • Owner's manual • Warranty booklet • Service booklet • Spare key • Jack • Tool set • Spare tire
9. Operation check of hood lock release system	(1) Operate the hood lock release lever to check that the hood opens normally.
10. Battery	(1) Check the battery for any abnormal conditions such as rust and trace of battery fluid leaks.
11. Brake fluid	(1) Check the fluid amount.
12. Engine oil	(1) Check the oil amount.
13. Transmission fluid	(1) Check the fluid amount.
14. AT front differential oil	(1) Check the AT front differential oil amount.
15. Coolant	(1) Check the coolant amount.
16. Clutch fluid	(1) Check the clutch fluid amount.
17. Window washer fluid	(1) Check the window washer fluid amount.
18. Front hood latch check	(1) Check that the front hood is closed and latched securely.
19. Keyless entry system	(1) Check that the keyless entry system operates normally.
20. Security system	(1) Check that the security system operates normally.
21. Seat	(1) Check the seat surfaces for smears or dirt. (2) Check the seat installation conditions and functionality.
22. Seat belt	(1) Check the seat belt installation conditions and functionality.
23. Wheel alignment	(1) Check that the wheel alignments are properly adjusted.

PRE-DELIVERY INSPECTION

PRE-DELIVERY INSPECTION

Checks with the Engine Running

Step	Check point
1. Test mode connector	(1) Disconnect the test mode connector.
2. Operation check of shift lock system, key interlock, and starter interlock	(1) For a MT vehicle, check the starter interlock system operations. (2) For an AT vehicle, check the shift lock and key interlock system operations.
3. Starting condition	(1) Start the engine and check that the engine starts smoothly.
4. Exhaust system	(1) Check that the exhaust noise is normal and no leaks are found.
5. Indicator light	(1) Check that all the indicator lights operate normally.
6. Clock	(1) Check that the clock operate normally.
7. Radio	(1) Check that the radio system operates normally.
8. Cigarette lighter	(1) Check that the cigarette lighter operates normally.
9. Lighting system	(1) Check that the lighting systems operate normally.
10. Window washer	(1) Check that the window washer system operates normally.
11. Wiper	(1) Check that the wiper system operates normally.
12. Power window operation check	(1) Check the power window for correct operations.

Dynamic Test with the Vehicle Running

Step	Check point
1. Brake test	(1) Check that the foot brake operates normally.
2. Parking brake	(1) Check that the parking brake operates normally.
3. AT shift control	(1) Check the AT shift patterns are correct.
4. Heater & ventilation	(1) Check that the heater & ventilation system operates normally.
5. Air conditioner	(1) Check that the air conditioner operates normally.
6. Cruise control	(1) Check that the cruise control system operates normally.

Checks after Dynamic Test

Step	Check point
1. ATF level	(1) Check that the ATF level is normal.
2. Power steering fluid level	(1) Check that the power steering fluid level is normal.
3. Fluid leak check	(1) Check for fluid/oil leaks.
4. Water leak check	(1) Spray the vehicle with water and check for water leaks.
5. Appearance check 2	(1) Remove the protective film (if any). (2) Check the body paints for damage and smears. (3) Check the plated parts for damage and rust.
6. Wheel alignment	(1) If abnormal conditions are sensed in operation or stability after the dynamic test, make sure that the wheel alignment is appropriate, and adjust it if necessary.

1. APPEARANCE CHECK

- 1) When vehicle is covered with protective film, inspect visually for damage or dents to vehicle body surface.
- 2) When protective film is removed, check the body paints for small areas of damage or stains and repair as necessary.
- 3) Check the window glass, door glass, and lights for any cracks or damage and repair or replace the parts as necessary.
- 4) Check the plated parts, such as the grilles and door knobs, for damage or loss of gloss and repair or replace the parts as necessary.

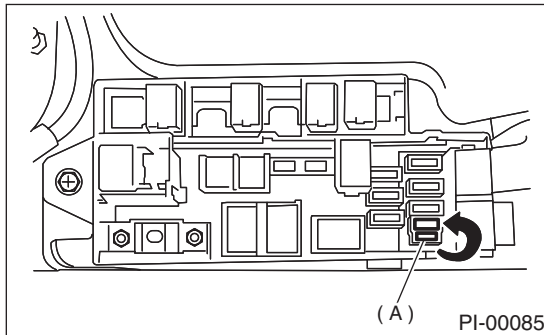
2. TIRE CHECK

- Check the tire outer faces for any damage.
- Check the tire air pressure by referring to the following table.

Tire size	Tire inflation pressure kPa (kg/cm ² , psi)	
	Front	Rear
P225/60R16	230 (2.3, 33)	230 (2.3, 33)

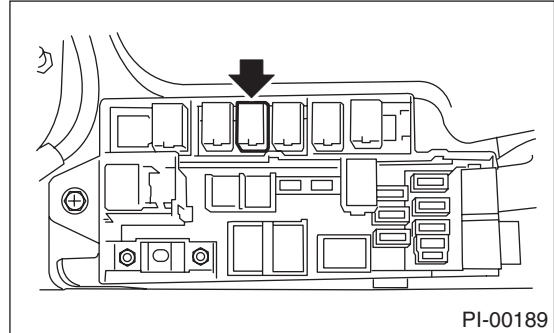
3. FUSE INSTALLATION

A vehicle just delivered has no fuses for the circuit to prevent battery discharge. Attach a 15 A fuse as shown in the figure.



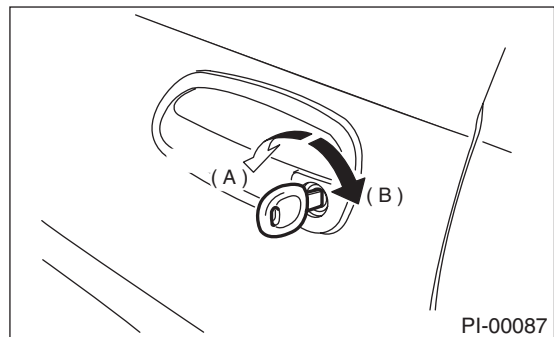
4. CONNECTION OF AIR CONDITIONER RELAY

The air conditioner relay of a vehicle just delivered is not connected to protect air conditioner compressor from unnecessary operation. Since the air conditioner relay is set upside down at the installation location in main fuse box, take it out once, and then connect it to terminal of main fuse box properly.



5. CHECK THE DOOR OPERATIONS, LOCK/UNLOCK AND OPEN/CLOSE, AS FOLLOWS.

- Using the key, lock and unlock the door several times to check for normal operation.
- Open and close the door several times to verify smooth movement.



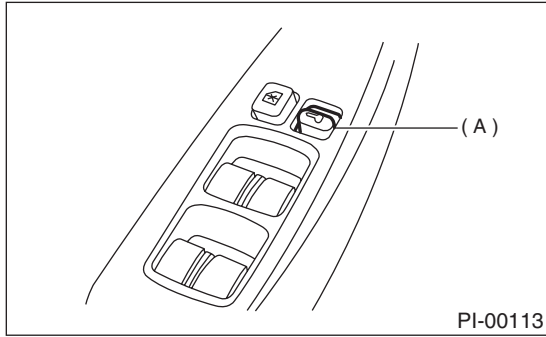
- (A) Unlock
- (B) Lock

Sit in the driver seat, close the driver's door completely, and place the power door locking switch to the lock position. Then pull the all inside door handles to ensure that the all doors will not open. Sit in the passenger seat, do the same procedure as for the driver seat.

PRE-DELIVERY INSPECTION

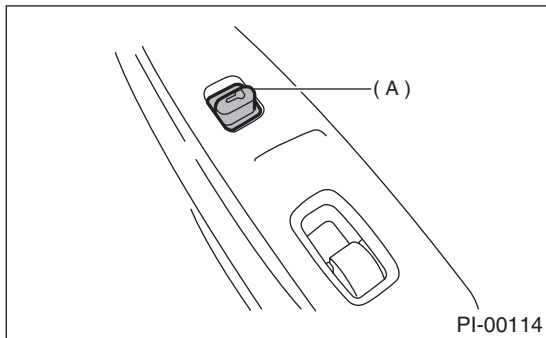
PRE-DELIVERY INSPECTION

• Driver's side



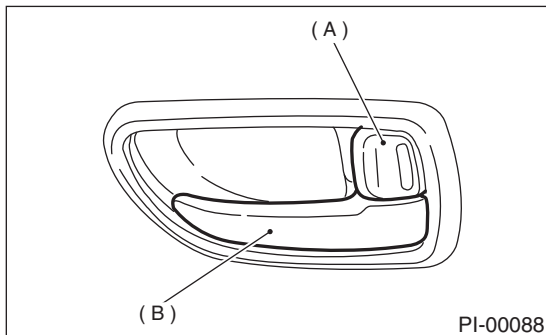
(A) Power door lock switch

• Passenger side



(A) Power door lock switch

For other doors, place the lock levers to the lock positions and then pull the inside door handles to ensure that the doors will not open.

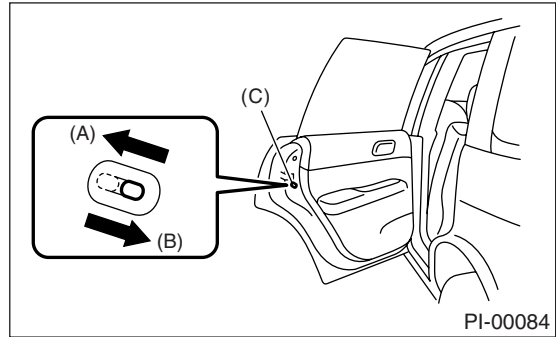


(A) Lock lever
(B) Inside door handle

6. CHECK THE OPERATION OF CHILD SAFETY LOCKS.

- 1) Set the child safety lock on both rear doors to the lock positions.
- 2) Close the rear doors completely.
- 3) Check that the lock levers of the rear doors are in the unlock positions. Then, pull the inside door handles of the rear doors to ensure that the doors will open.

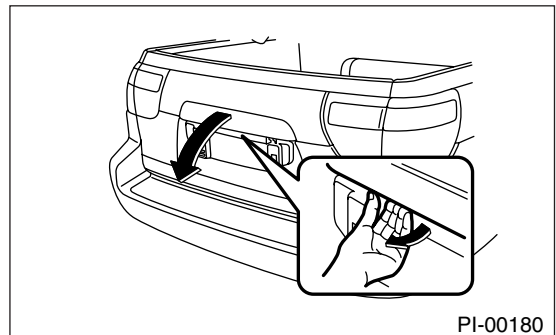
- 4) Next, pull the outside door handles of the rear doors to ensure that the doors will open.
- 5) Repeat steps above two or three times.



(A) Unlock
(B) Lock
(C) Child safety lock

7. CHECK THE TAIL GATE OPERATIONS, OPEN/CLOSE, AS FOLLOWS.

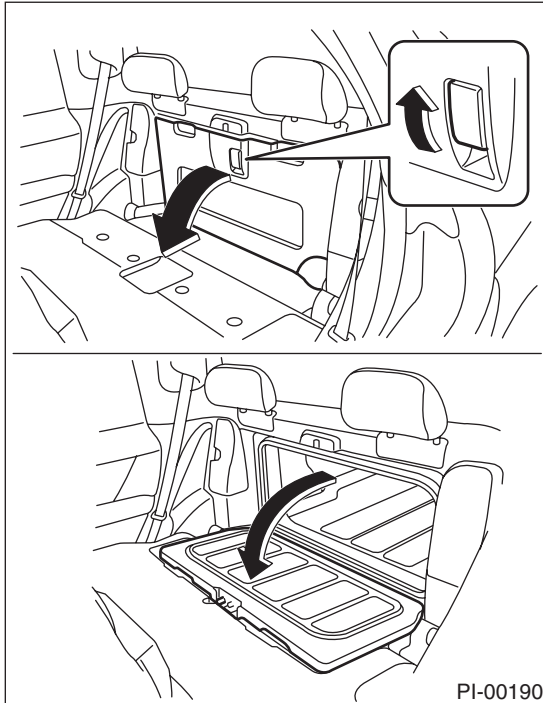
- Operate the tail gate handle and verify that the tail gate opens.
- Make sure that right and left latches are securely engaged when the tailgate is closed.
- Open and close the tail gate several times to verify smooth movement.



8. CHECK THE SWITCH BACK OPERATIONS, OPEN/CLOSE, AS FOLLOWS.

- Operate the release lock knob of switch back and verify that the switch back opens.

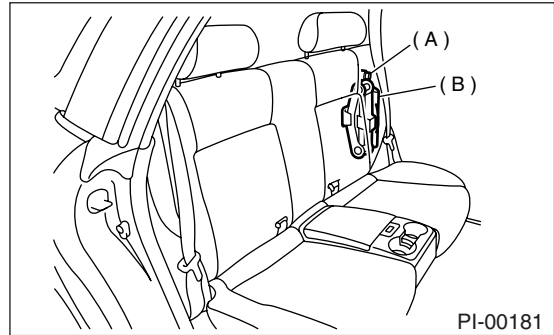
- Open and close the switch back several times to verify smooth movement.



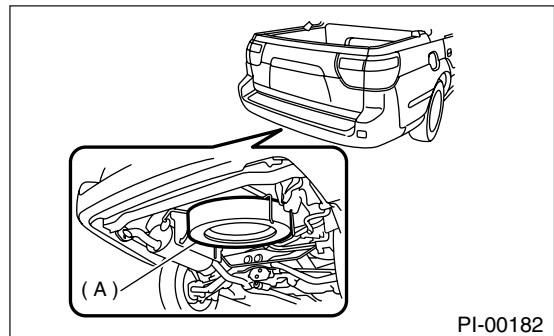
9. ACCESSORY CHECK

Check that the following accessories are provided in the luggage compartment or cargo area.

- Owner's manual
- Warranty booklet
- Service booklet
- Spare key
- Jack
- Tool set
- Spare tire



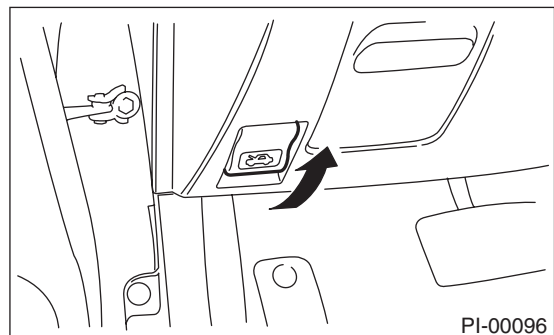
- (A) Jack
- (B) Jack handle



- (A) Spare tire

10. OPERATION CHECK OF HOOD LOCK RELEASE SYSTEM

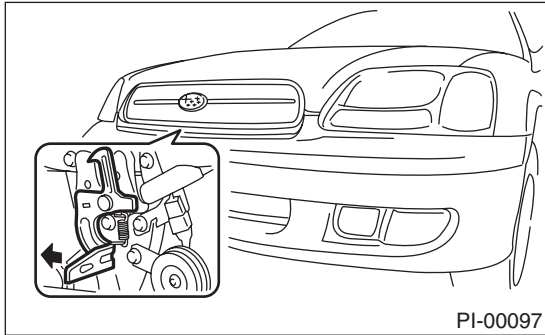
By operating front hood release knob, confirm front hood will unlock properly.



PRE-DELIVERY INSPECTION

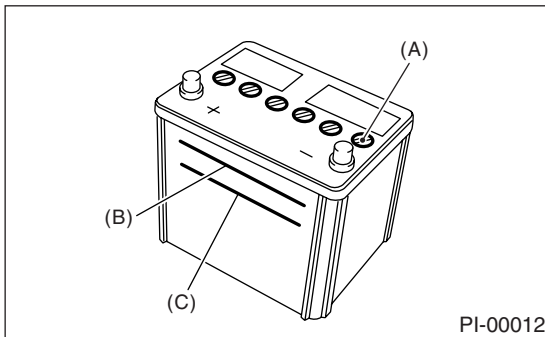
PRE-DELIVERY INSPECTION

By operating lever, confirm front hood will open properly. Next, support the front hood with front hood stay.



11. BATTERY

Check the battery terminals to make sure that no rust or corruptions due to fluid leaks are found. Check that the battery cap is securely tightened.



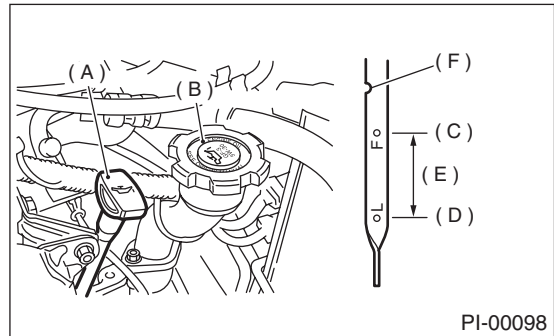
- (A) Cap
- (B) Upper level
- (C) Lower level

12. BRAKE FLUID

Check the brake fluid amount. If the amount is insufficient, carry out a brake line test to identify brake fluid leaks and check the brake operation. After that, refill the brake fluid tank with the specified type of fluid.

13. ENGINE OIL

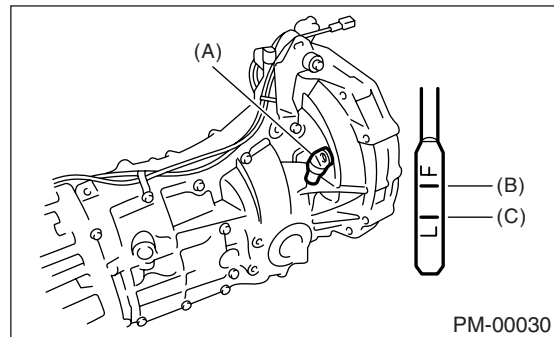
Check the engine oil amount. If the amount is insufficient, check that no leaks are found. Then, add the necessary amount of the specified engine oil.



- (A) Oil level gauge
- (B) Engine oil filler cap
- (C) Upper level
- (D) Lower level
- (E) Approx. 1.0 l (1.1 US qt, 0.9 Imp qt)
- (F) Notch mark

14. TRANSMISSION FLUID

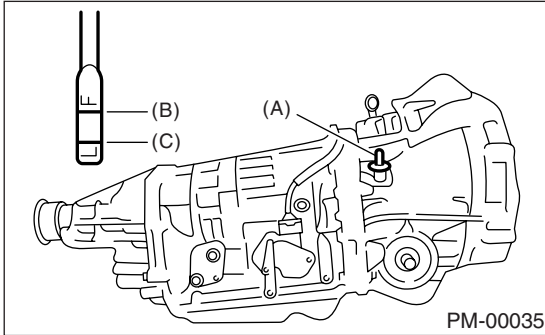
Check the transmission fluid amount. If the amount is insufficient, check that no leaks are found. Then, add the necessary amount of the specified fluid.



- (A) Oil level gauge
- (B) Upper level
- (C) Lower level

15. AT FRONT DIFFERENTIAL OIL

Check the AT front differential oil amount. If the amount is insufficient, check that no leaks are found. Then, add the necessary amount of the specified AT front differential oil.



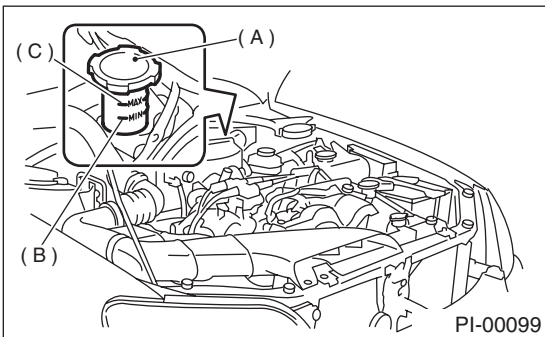
- (A) Oil level gauge
- (B) Upper level
- (C) Lower level

16. COOLANT

Check the coolant amount on the reservoir. If the amount is insufficient, check that no leaks are found. Then, add the necessary amount of coolant with the specified concentration.

17. CLUTCH FLUID

Check the clutch fluid amount. If the amount is insufficient, check that no leaks are found. Then, add the necessary amount of the specified fluid.



- (A) Reservoir tank
- (B) MIN level
- (C) MAX level

18. WINDOW WASHER FLUID

- Check the window washer fluid amount. If the amount is insufficient, check that no leaks are found. Then, add the necessary amount of washer fluid commercially available.
- Use appropriate window washer liquid for outside temperature for freeze proofing.

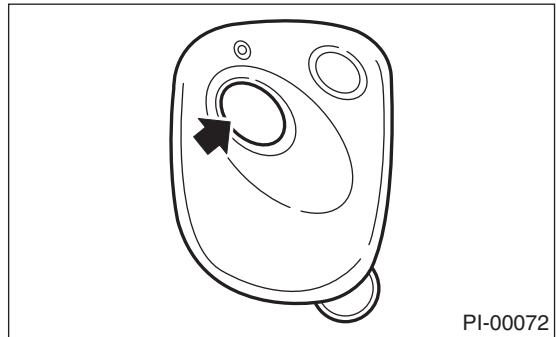
19. FRONT HOOD LATCH CHECK

Retract the front hood stay and close the hood. Check that the front hood is securely latched.

20. KEYLESS ENTRY SYSTEM

Check the keyless entry system operations as follows:

- Fully open all the door windows.
- Remove the key from the ignition switch and close all the doors.
- Press the “LOCK/ARM” button on the transmitter momentarily once and check if all the doors are locked, the buzzer chirps once, and the hazard light flashes once.



- Press the “UNLOCK/DISARM” button on the transmitter momentarily once and check if the driver’s door is unlocked, the buzzer chirps twice, and the hazard light flashes twice.



- Press the “UNLOCK/DISARM” button on the transmitter momentarily once again within five seconds and check if all the doors are unlocked.
- Press the “LOCK/ARM” button on the transmitter a little bit of time (approx. 2 sec.) and check if a panicking condition occurs; the horn sounds and hazard lamp blinks continuously. Also, check if that condition lasts for 30 seconds or until any button of the transmitter is pressed.
- Press the “LOCK/ARM” button on the transmitter momentarily once with one of the doors open and check if the buzzer chirps and hazard lamp blinks five times to warn of a door ajar.

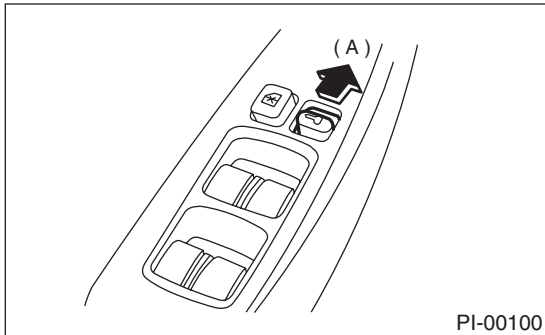
PRE-DELIVERY INSPECTION

PRE-DELIVERY INSPECTION

Then, bring all the doors in closed condition and check if all the doors are locked, the buzzer chirps once, and the hazard light flashes once.

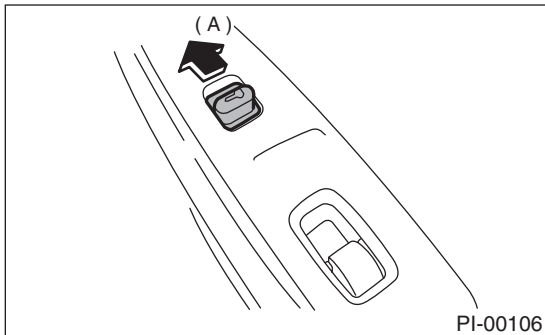
- Within a distance of 10 m (33 ft) from a vehicle, press transmitter's "LOCK/SET" button three times within 5 seconds. Confirm that horn rings once, hazard lamp blinks three times.
- Move the power door locking switch to "LOCK" position with any one of the doors open. Then, bring all the doors in the closed condition and check if all the doors are locked, the buzzer chirps once, and the hazard light flashes once.

- Driver's seat



(A) Lock

- Passenger seat



(A) Lock

Check selecting audible buzzer operation.

- Will give you an audible buzzer when the doors lock and unlock.

If desired, you may turn the audible buzzer off.

To turn the audible buzzer off, carry out the unlocking procedure of keyless entry system, then simultaneously depress LOCK/ARM and UNLOCK/DISARM buttons for more than two seconds.

The buzzer will sound twice, and hazard light will flash twice to inform you that the audible signal has been turned off.

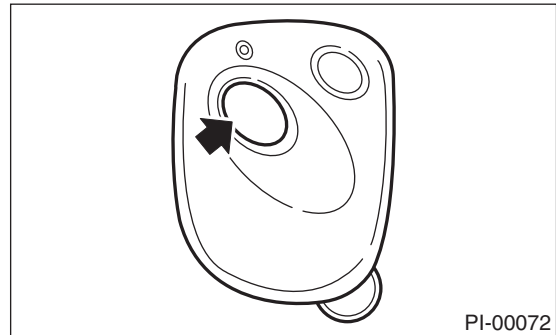
To turn the audible buzzer on, carry out the unlocking procedure of keyless entry system, then simultaneously depress LOCK/ARM and UNLOCK/DISARM buttons for more than two seconds.

The buzzer will sound once and hazard light will flash once to inform you that the audible buzzer has been turned on.

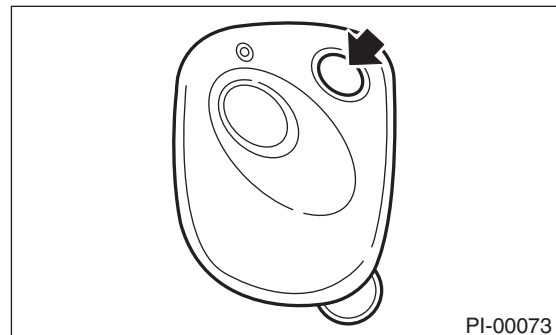
21. SECURITY SYSTEM

Check the security system operations as follows:

- Fully open all the door windows.
- Remove the key from the ignition switch and close all the doors including rear gate.
- Press the "LOCK/ARM" button on the transmitter momentarily once and check if all the doors are locked, the buzzer chirps once, the hazard lights flash once and the security indicator light flashes slowly to ensure that the security system has been brought into the arming state.



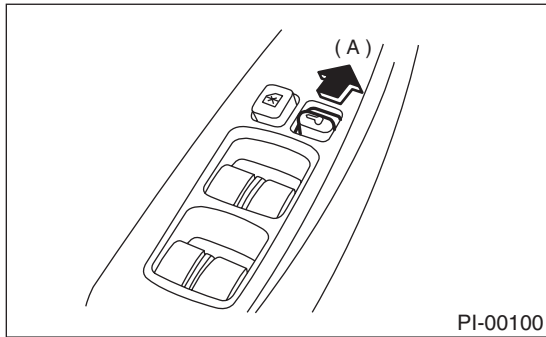
- Press the "UNLOCK/DISARM" button on the transmitter momentarily once and check if the driver's door is unlocked, the buzzer chirps twice, the hazard light flash twice, the dome light illuminates and the security indicator light goes off to ensure that the system has been brought into the disarming state.



- Press the "LOCK/ARM" button on the transmitter momentarily once with one of the doors open and check if the buzzer chirps five times and hazard lamp blinks five times to warn of a door ajar. Then bring all the doors in closed condition. Check if the security system is in the arming condition (the security indicator light flashes once within 2 seconds).
- Move the power door locking switch to "LOCK" position with any one of the doors open. Then bring all the doors in closed condition. If the security indicator light flashes once within two seconds, it

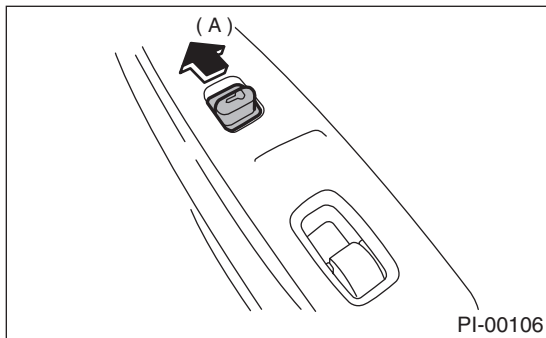
means that the security system is in the arming condition.

- Driver's seat



(A) Lock

- Passenger seat



(A) Lock

- Unlock a door using the lock levers or the key and open the door while the security system is in the arming state. Check to ensure that the alarm condition occurs, i.e. the horn sounds continuously, the hazard lights flash and security indicator light flashes rapidly, and that it lasts for 30 seconds or until the "UNLOCK/DISARM" button on the transmitter is pressed. Also, check to ensure that turning the ignition key to the "START" position in the alarm state does not cause the starter motor to turn, thus the engine being prevented from starting.
- Apply a shock to the vehicle body with the security system in alarm state, and check to ensure that the alarm condition occurs.
- Troubleshoot the security system if any one of the above-mentioned checks does not meet the requirements.

22. SEAT

Check that each seat provides full functionality in sliding and reclining. Check all available functions of the rear seat.

23. SEAT BELT

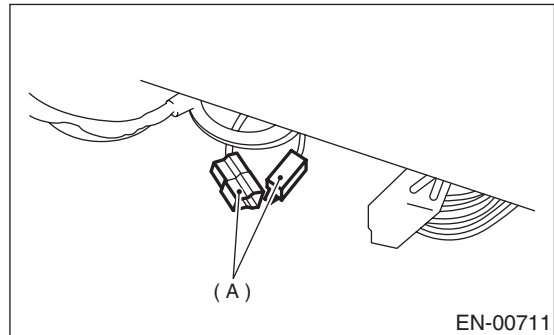
Pull out the seat belt and then release it. Check that the belt webbing retracts smoothly.

24. WHEEL ALIGNMENT

Check the wheel alignments. <Ref. to FS-8, Wheel Alignment.>

25. TEST MODE CONNECTOR

Turn the ignition switch to ON and check that the check-engine light starts blinking. If the light blinks, return the ignition key to LOCK and disconnect the test mode connector. Then, turn the ignition key to ON again. If the check-engine light blinks at that time in spite of the disconnected test mode connector, carry out an engine diagnosis.



(A) Test mode connector (Green)

26. OPERATION CHECK OF SHIFT LOCK SYSTEM, KEY INTERLOCK, AND STARTER INTERLOCK

- For an MT vehicle, check the starter interlock system operations.
- For an AT vehicle, check the shift lock and key interlock system operations.

27. STARTING CONDITION

Start the engine and check that the engine starts smoothly. If any battery voltage problems are found, recharge or replace the battery. If any abnormal noises are observed, immediately stop the engine and check and repair the necessary components.

28. EXHAUST SYSTEM

Listen to the exhaust noise to see if no abnormal noises are observed.

29. INDICATOR LIGHT

Check that all the indicator lights are off.

30. CLOCK

Check the clock for normal operations and enough accuracy.

31. RADIO

Check the radio for full functionality and normal noise level. Also check the CD unit operations.

PRE-DELIVERY INSPECTION

PRE-DELIVERY INSPECTION

32. CIGARETTE LIGHTER

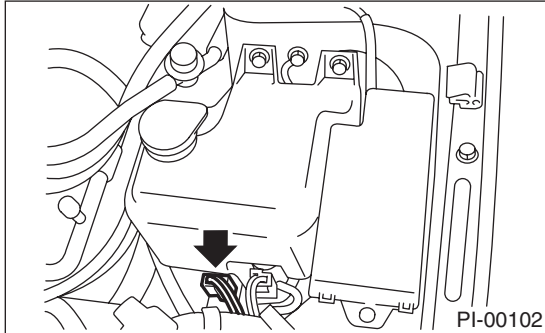
Check that the cigarette lighter operations.

33. LIGHTING SYSTEM

- Check the headlight operations.
- Check the brake light operations.
- Check the other lights for normal operations.

34. WINDOW WASHER

- Before inspection of the window washer system, connect the washer connector to the washer motor.



- Check that the window washer system injects washer fluid to the specified area of the windshield shown in the figure.

NOTE:

If the washer fluid does not cover the specified area, clean the nozzle.

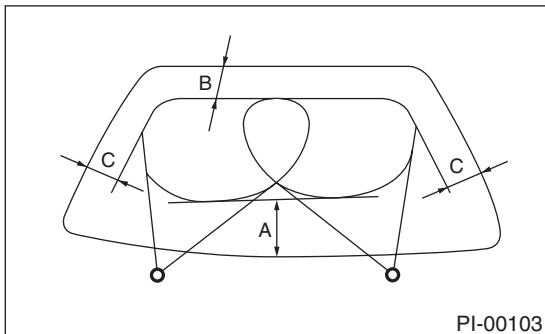
Front

Injection position:

A: 300 mm (11.81 in)

B: 100 mm (3.94 in)

C: 200 mm (7.87 in)



35. WIPER

Check the front wiper for normal operations.

36. POWER WINDOW OPERATION CHECK

Manipulate the power window switches one by one to check that each of the power windows goes up and down with no abnormal noises.

37. BRAKE TEST

Check the foot brake for normal operations.

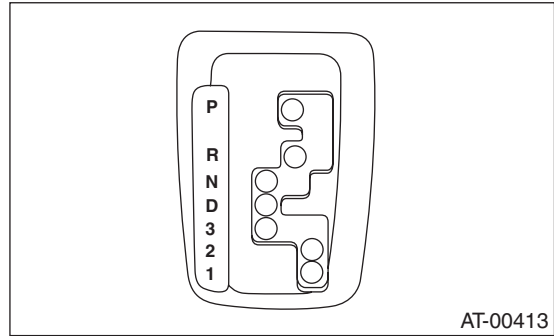
38. PARKING BRAKE

Check the parking brake for normal operations.

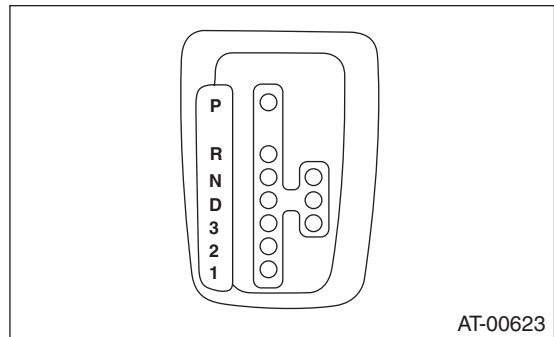
39. AT SHIFT CONTROL

Set the AT select lever to each gear position while checking that the demanded gear position is correctly attained.

- Except SPORT shift



- SPORT shift



Selector Position	Gear Position			
	1st	2nd	3rd	4th
D	Yes	Yes	Yes	Yes
3	Yes	Yes	Yes	
2		Yes		
1	Yes			
SPORT shift	Yes	Yes	Yes	Yes

40. HEATER & VENTILATION

Operate the heater and ventilation system to check for normal airflow and heating capacity.

41. AIR CONDITIONER

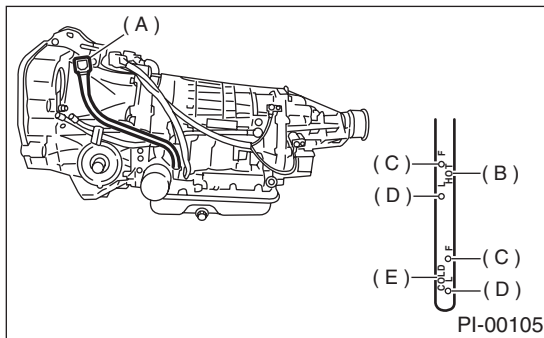
Operate the air conditioner. Check that the A/C compressor operates normally and enough cooling is provided.

42. CRUISE CONTROL

Operate the cruise control system. Check that the system is activated and deactivated correctly.

43.ATF LEVEL

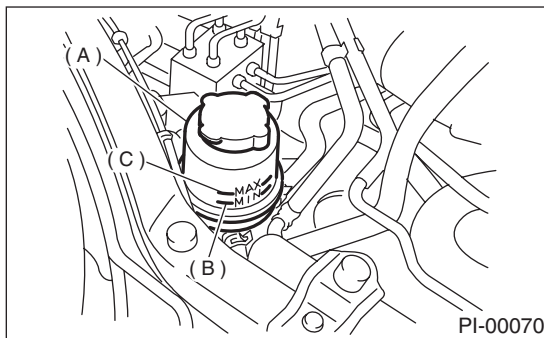
Check that the ATF level is normal. If insufficient, check that no leaks are found. Then add the necessary amount of the specified ATF.



- (A) Level gauge
- (B) "HOT" side
- (C) Upper level
- (D) Lower level
- (E) "COLD" side

44.POWER STEERING FLUID LEVEL

Check that the power steering fluid level is normal. If insufficient, check that no leaks are found. Then add the necessary amount of the specified power steering fluid.



- (A) Reservoir tank
- (B) MIN level
- (C) MAX level

45.FLUID LEAK CHECK

Check the entire areas of the vehicle for any trace of coolant/oil/fluid leaks.

46.WATER LEAK TEST

Spray the vehicle with water and check that no water enters the passenger compartment.

- Before performing the water leakage test, remove anything that may obstruct the operation or which must be kept dry.
- Close all of the windows completely, and then close all of the doors tightly. Close the hood and trunk lid before starting the test.
- Connect a hose to a tap, and spray water on the vehicle. The rate of water discharge must be approx. 20 to 25 liters (5.3 to 6.6 US gal, 4.4 to 5.5 Imp gal) per minute.

When spraying water on areas adjacent to the floor and wheel house, increase the pressure. When directing water on areas other than the floor portion and wheel house, decrease the pressure. But the force of water must be made strong occasionally by pressing the end of the hose.

NOTE:

Be sure to keep the hose at least 10 cm (3.9 in) from the vehicle.

- Check the following areas:
 - Front window and body framework mating portion
 - Door mating portions
 - Glass mating portions
 - Rear window and body framework mating portion
 - Around roof drips
- If any dampness in the compartments is discovered after the water has been applied, carefully check all areas that may have possibly contributed to the leak.

47.APPEARANCE CHECK 2

1) When vehicle body is covered with protective film, peel it off.

NOTE:

- Use of steam eases peeling off the wrap guard.
 - When performing on the vehicles left for a long time, or during low temperature period, sprinkle some water heated to 50 — 60 °C (122 — 140 °F) over the vehicle to raise its surface temperature before peeling off the wrap guard.
- Do not use the water heated to over 60 °C (140 °F).
- If the adhesive remains on the coated surface, rub the portion with a flannel rag, etc. soaked with a coat of coating wax or a solvent, such as oil benzene and IPA, and then wipe it off.
 - Avoid adhesion of the solvent to resin or rubber components. Do not use coating wax or a solvent while the component surface temperature is high due to hot weather, etc.

PRE-DELIVERY INSPECTION

PRE-DELIVERY INSPECTION

- If the coated surface is swollen out due to seams or moisture, expose the vehicle to the sun light for a few hours. Otherwise, heat the portion with seams or moisture using a dryer, etc.
- Dispose of the peeled wrap guard as burnable industrial garbage.

2) Check the vehicle body paints, plated faces, glass, and lenses for any dirt or damage.