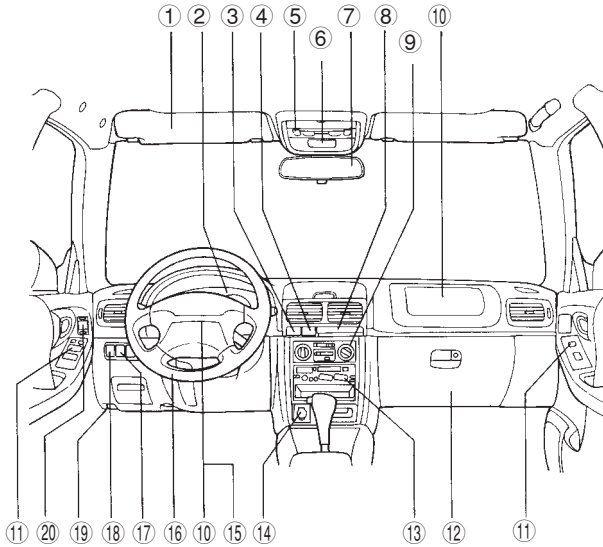


# Instruments and controls

---

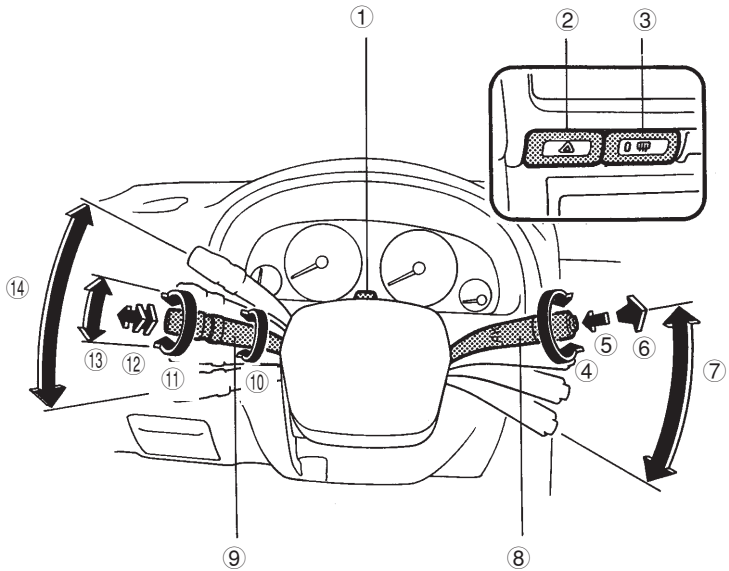
<b>Instrument panel overview</b> .....	3-2
<b>Combination meter overview</b> .....	3-4
<b>Gauges</b> .....	3-5
<b>Speedometer</b> .....	3-5
<b>Odometer/Trip meter</b> .....	3-5
<b>Tachometer</b> .....	3-6
<b>Fuel gauge</b> .....	3-6
<b>Temperature gauge</b> .....	3-7
<b>Warning and indicator lights</b> .....	3-8
<b>Checking bulbs</b> .....	3-8
<b>Seat belt warning light and chime</b> .....	3-8
<b>SRS AIRBAG warning light</b> .....	3-8
<b>Charge warning light</b> .....	3-9
<b>Oil pressure warning light</b> .....	3-9
<b>Brake system warning light</b> .....	3-9
<b>CHECK ENGINE warning light/Malfunction indicator lamp</b> .....	3-10
<b>ABS warning light (for vehicles with ABS)</b> .....	3-12
<b>AT OIL TEMPerature warning light (for AT vehicles)</b> .....	3-12
<b>Door open warning lights</b> .....	3-13
<b>Front-wheel drive warning light (for AT vehicles)</b> .....	3-13
<b>Turn signal indicator lights</b> .....	3-13
<b>High beam indicator</b> .....	3-13
<b>Hazard warning flasher</b> .....	3-14
<b>Light controls</b> .....	3-14
<b>Light switch</b> .....	3-14
<b>Illumination brightness control</b> .....	3-17
<b>Parking light switch</b> .....	3-18
<b>Fog light switch (if equipped)</b> .....	3-18
<b>Wiper controls</b> .....	3-19
<b>Windshield wipers and washer switch</b> .....	3-21
<b>Rear window wiper and washer switch</b> .....	3-22
<b>Rear window defogger switch</b> .....	3-24
<b>Horn</b> .....	3-25
<b>Mirrors</b> .....	3-25
<b>Inside mirror</b> .....	3-25
<b>Outside mirrors</b> .....	3-26

## Instrument panel overview



HS0005

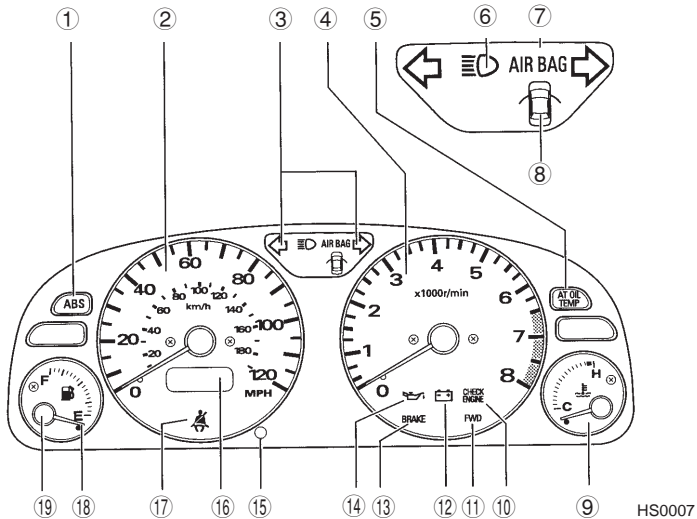
- ① Sun visor/Vanity mirror (page 6-2)
- ② Combination meter (page 3-4)
- ③ Hazard warning flasher switch (page 3-14)
- ④ Rear window defogger switch (page 3-24)/Outside mirror defogger switch (page 3-26)
- ⑤ Spot light (page 6-14)
- ⑥ Clock (page 6-8)
- ⑦ Inside mirror (page 3-25)
- ⑧ Cup holder (page 6-6)
- ⑨ Heater or air conditioner control (page 4-3)
- ⑩ SRS AIRBAG (page 2-28)
- ⑪ Power window switch (page 1-8)
- ⑫ Glove compartment (page 6-3)
- ⑬ Audio (page 5-4)
- ⑭ Accessory power socket (page 6-9)/Cigarette lighter (page 6-11)
- ⑮ Horn (page 3-25)
- ⑯ Tilt steering (page 7-23)
- ⑰ Fog light switch (page 3-18)
- ⑱ Cruise control main switch (page 7-24)
- ⑲ Hood lock release (page 1-15)
- ⑳ Remote control mirror switch (page 3-26)



HS0006

- |  |  |
|--|--|
| ① Parking light switch (page 3-18)   | ⑦ Windshield wiper (page 3-21)                       |
| ② Hazard warning flasher switch (page 3-14)  | ⑧ Wiper control (page 3-19)                          |
| ③ Rear window defogger switch (page 3-24)/Outside mirror defogger switch (page 3-26) | ⑨ Light control (page 3-14)                          |
| ④ Rear window wiper and washer switch (page 3-22)                                    | ⑩ Illumination brightness control (page 3-17)        |
| ⑤ Windshield washer (page 3-21)  | ⑪ Headlight ON/OFF (page 3-14)                       |
| ⑥ Mist (page 3-21)   | ⑫ Headlight flasher/High/Low beam change (page 3-15) |
|  | ⑬ Turn signal (for lane change) (page 3-15)          |
|  | ⑭ Turn signal (page 3-16)                            |

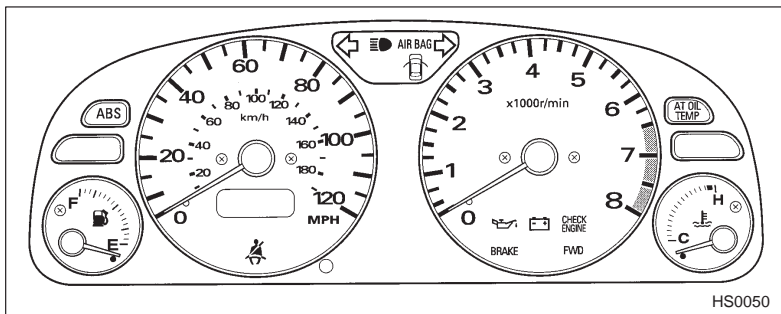
## Combination meter overview



HS0007

- |   |  |
|---|--|
| ① ABS warning light (page 3-12)                                     | ⑪ Front-wheel drive warning light (page 3-13)                        |
| ② Speedometer (page 3-5)  | ⑫ Charge warning light (page 3-9)                                    |
| ③ Turn signal indicator light (page 3-13)                           | ⑬ Brake system warning lights (page 3-9)                             |
| ④ Tachometer (page 3-6)   | ⑭ Oil pressure warning light (page 3-9)                              |
| ⑤ AT oil temperature warning light (page 3-12)                      | ⑮ Odometer/Trip meter selection and trip meter reset knob (page 3-5) |
| ⑥ High beam indicator light (page 3-13)                             | ⑯ Odometer/Trip meter (page 3-5)                                     |
| ⑦ SRS AIRBAG warning light (page 3-8)                               | ⑰ Seat belt warning light (page 3-8)                                 |
| ⑧ Door opening warning light (page 3-13)                            | ⑱ Low fuel warning light (page 3-7)                                  |
| ⑨ Temperature gauge (page 3-7)                                      | ⑲ Fuel gauge (page 3-6)  |
| ⑩ CHECK ENGINE warning light/Malfunction indicator lamp (page 3-10) |  |

## Gauges

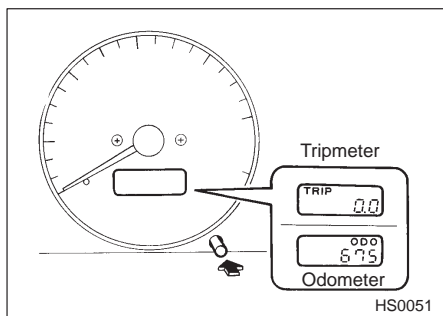


HS0050

### ■ Speedometer

The speedometer shows the vehicle speed.

### ■ Odometer/Trip meter



HS0051

This meter displays the odometer and trip meter when the ignition switch is in the "ON" position.

To change the mode indication, briefly push the knob.

The odometer shows the total distance that the vehicle has been driven.

The trip meter shows the distance that the vehicle has been driven since you last set it to zero.

To set the trip meter to zero, select the indication of the trip meter by

– CONTINUED –

---

pushing the knob and keep the knob pushed for more than 2 seconds.

#### **NOTE**

If the connection between the combination meter and battery is broken for any reason such as vehicle maintenance or fuse replacement, the data recorded on the trip meter will be lost.

#### **■ Tachometer**

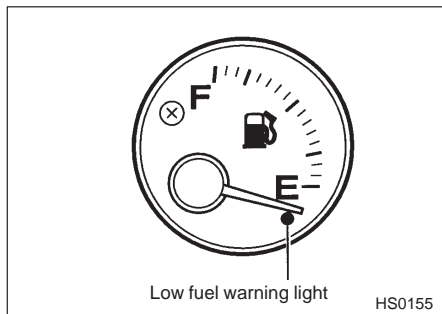


#### **CAUTION**

**Do not operate the engine with the pointer of the tachometer in the red zone. In this range, fuel injection will be cut by the engine control module to protect the engine from overrevving. The engine will resume running normally after the engine speed is reduced below the red zone.**

The tachometer shows the engine speed in thousands of revolutions per minute.

#### **■ Fuel gauge**



The fuel gauge shows approximately the amount of the fuel remaining in the tank.

The gauge does not return to "E" even though the ignition switch is in the "ACC" or "LOCK" position.

The gauge may move slightly during braking, turning or acceleration due to fuel movement in the tank.

### ▼ Low fuel warning light

The low fuel warning light comes on when the tank is nearly empty (about 2.3 U.S. gal., 9.0 liters, 1.9 Imp. gal.). It only operates when the ignition switch is in the "ON" position.

### NOTE

**If the fuel tank is completely empty, the CHECK ENGINE warning light may come on. Refer to the "CHECK ENGINE Warning Light/Malfunction Indicator Lamp" section in this chapter.**

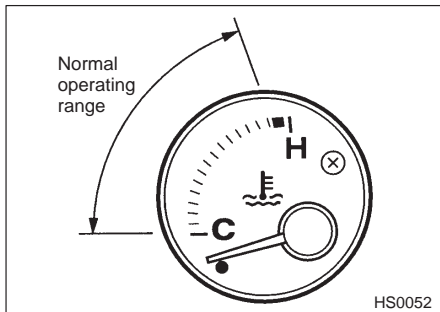
### ■ Temperature gauge



### CAUTION

**If the pointer exceeds the normal operating range, safely stop the vehicle as soon as possible.**

**See "In case of emergency" in this manual.**



The temperature gauge shows engine coolant temperature when the ignition switch is in the "ON" position.

The coolant temperature will vary in accordance with the outside temperature and driving conditions.

We recommend that you drive moderately until the pointer of the tempera-

– CONTINUED –

---

ture gauge reaches near the middle of the range. Engine operation is optimum with the engine coolant at this temperature range and high revving operation when the engine is not warmed up enough should be avoided.

## Warning and indicator lights

---

### ■ Checking bulbs

Several of the warning and indicator lights come on momentarily and then go out when the ignition switch is initially turned to the "ON" position. This permits checking the operation of the bulbs.

Apply the parking brake and turn the ignition switch to the "ON" position. The following lights come on:

- Seat belt warning light
- SRS AIRBAG warning light
- Charge warning light
- Oil pressure warning light
- Brake system warning light
- CHECK ENGINE warning light/Malfunction indicator lamp
- ABS warning light (if equipped)
- AT OIL TEMP warning light (automatic transmission vehicles)

If any lights fail to come on, it indicates a burned-out bulb or a malfunction of the corresponding system.

Consult your authorized SUBARU dealer for repair.

### ■ Seat belt warning light and chime



When the ignition switch is turned to the "ON" position, the seat belt warning light will come on and the reminder chime will sound to remind driver to fasten the seat belt.

The seat belt warning light will remain on for about six seconds and turn off automatically after six seconds.

The seat belt reminder chime will turn off by buckling the driver's side seat belt or turn off automatically after about six seconds.

### ■ SRS AIRBAG warning light

**AIRBAG**

When the ignition switch is turned to the "ON" position, the SRS AIRBAG warning light will come on for about six seconds and go out. This shows



the SRS AIRBAG is in normal operation.

If this light comes on while driving or does not go out after the engine starts, it may indicate that the SRS AIRBAG system is not working properly. Contact your nearest SUBARU dealer immediately.

### ■ Charge warning light



If this light comes on when the engine is running, it may indicate that the charging system is not working properly.

If the light comes on while driving or does not go out after the engine starts, stop the engine at the first safe opportunity and check the alternator belt. If the belt is loose, broken or if the belt is in good condition but the light remains on, contact your nearest SUBARU dealer immediately.

### ■ Oil pressure warning light



#### **CAUTION**

**Do not operate the engine with the oil pressure warning light on. This may cause engine damage.**

If this light comes on when the engine is running, it may indicate that the engine oil pressure is low and the lubricating system is not working properly.

If the light comes on while driving or does not go out after the engine starts, stop the engine at the first safe opportunity and check the engine oil level. If the oil level is low, add oil immediately. If the engine oil is at the proper level but the light remains on, contact your nearest SUBARU dealer immediately.

### ■ Brake system warning light

**BRAKE (U.S.)  
(!) (Canada)**



#### **WARNING**

● **Driving with the brake system warning light on is dangerous. This indicates your brake system may not be working properly. If the light remains on, have the brakes inspected by a SUBARU dealer immediately.**

– CONTINUED –

- 
- **If at all in doubt about whether the brakes are operating properly, do not drive the vehicle. Have your vehicle towed to the nearest SUBARU dealer for repair.**

This light has the following two functions:

▼ **Parking brake warning**

The light comes on with the parking brake applied while the ignition switch is in the "ON" position. It goes out when the parking brake is fully released.

▼ **Brake fluid level warning**

This light comes on when the brake fluid level has dropped to near the "MIN" level of the brake fluid reservoir with the ignition switch in the "ON" position and with the parking brake fully released.

If the brake system warning light should come on while driving (with the parking brake fully released and with the ignition switch positioned in "ON"), it could be an indication of leaking of brake fluid or worn brake pads. Have your vehicle checked by a SUBARU dealer immediately.

■ **CHECK ENGINE warning light/  
Malfunction indicator lamp**

**CHECK  
ENGINE**

 **CAUTION**

**If the CHECK ENGINE light comes on while you are driving, have your vehicle checked/repared by your SUBARU dealer as soon as possible. Continued vehicle operation without having the emission control system checked and repaired as necessary could cause serious damage, which may not be covered by your vehicle's warranty.**

If this light comes on steadily or blinks while the engine is running, it may indicate that there is a problem or potential problem somewhere in the emission control system.

▼ **If the light comes on steadily:**

If the light comes on steadily while driving or does not go out after the engine starts, an emission control system malfunction has been detected.

You should have your vehicle checked by an authorized SUBARU dealer immediately.

**NOTE**

This light also comes on in the following cases:

- The fuel tank is completely empty.
- The fuel filler cap is not tightened until it clicks.

If the fuel tank is empty, refill the tank as soon as possible. If you have recently refueled your vehicle, the cause of the CHECK ENGINE warning light/malfunction indicator lamp coming on could be a loose or missing fuel filler cap. Remove the cap and retighten it until it clicks. Make sure nothing is interfering with the sealing of the cap. Tightening the cap will not make the CHECK ENGINE warning light turn off immediately. It may take several driving trips. If the light does not go out, take your vehicle to your authorized SUBARU dealer immediately.

▼ **If the light is blinking:**

If the light is blinking while driving, an engine misfire condition has been detected which may damage the emission control system.

To prevent serious damage to the emission control system, you should do the following:

- Reduce vehicle speed.
- Avoid hard acceleration.
- Avoid steep uphill grades.
- Reduce the amount of cargo, if possible.
- Stop towing a trailer as soon as possible.

The CHECK ENGINE warning light may stop blinking and come on steadily after several driving trips. You should have your vehicle checked by an authorized SUBARU dealer immediately.

### ■ **ABS warning light (for vehicles with ABS)**

The ABS warning light comes on when the ignition switch is turned to the "ON" position and goes out after about two seconds.

This is an indication that the ABS system is working properly.

If the warning light behaves as follows, ABS system may not work properly.

- The warning light does not come on when the ignition switch is turned to the "ON" position.
- The warning light comes on when the ignition switch is turned to the "ON" position, but it does not go out even when the vehicle speed exceeds approximately 8 mph (12 km/h).
- The warning light comes on during driving.

Contact your nearest SUBARU dealer for service immediately.

### **NOTE**

If the warning light behavior is as shown below, the ABS system may be considered normal.

- The warning light comes on when the ignition switch is turned to the "ON" position but goes out immediately, remaining off.
- The warning light remains on after the engine has been started, but it goes out when the vehicle speed reaches about 8 mph (12 km/h).
- The warning light comes on during driving, but it goes out immediately and remains off.

When the ABS warning light is on, the ABS function shuts down; however, the conventional brake system continues to operate normally.

Refer to the ABS (Anti-Lock Brake System) Section in chapter 7.

### ■ **AT OIL TEMPerature warning light (for AT vehicles)**

**AT OIL  
TEMP**

If this light comes on when the engine is running, it may indicate that the automatic transmission fluid temperature is too hot.

If the light comes on while driving, it is unnecessary to stop the vehicle, but avoid driving up steep grades or in stop and go traffic.

### ▼ **Automatic transmission control system warning**

If the light flashes after the engine starts, it may indicate that the automatic transmission control system is not working properly. Contact your nearest SUBARU dealer for service immediately.

■ **Door open warning lights**



The door open warning light comes on if any door or rear gate is not fully closed.

Always make sure this light is out before you start to drive.

■ **Front-wheel drive warning light (for AT vehicles)**

**FWD**

This light comes on when All Wheel Drive is disengaged and the drive mechanism is switched to Front Wheel Drive for maintenance or similar purposes.

■ **Turn signal indicator lights**



These lights show the operation of the turn signal or lane change signal. If the indicator lights do not blink or blink rapidly, the turn signal bulb may be burned out. Replace the bulb as soon as possible. Refer to Replacing Bulbs section in Chapter 10.

■ **High beam indicator**

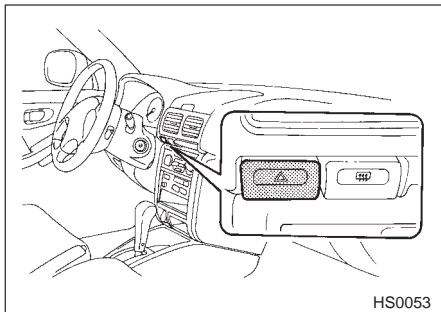


This light shows that the headlights are in the high beam mode. This indicator light also comes on when operating headlight flasher.

---

## Hazard warning flasher

---



The hazard warning flasher is used to warn other drivers when you have to park your vehicle under emergency conditions. The hazard warning flasher works with the ignition switch in any position.

When you have to park your vehicle under emergency conditions, pull off the roads safely and park away from the traffic if it is possible.

To turn on the hazard warning flasher, push the hazard warning button on the instrument panel. To turn off the flasher, push the button again.

### NOTE

When the hazard warning flasher is on, the turn signals do not work.

---

## Light controls

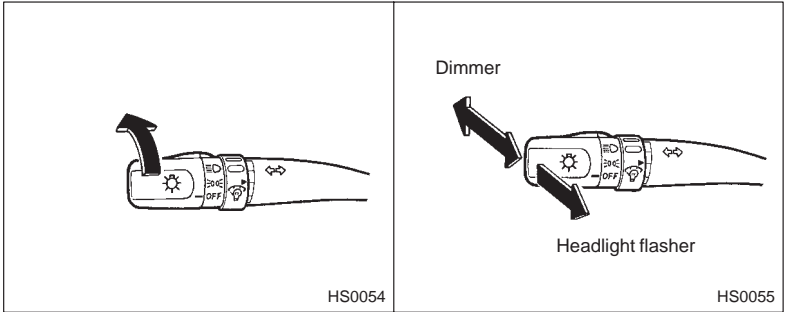
---

### ■ Light switch



### WARNING

To prevent battery discharge resulting from accidentally leaving your lights on when your vehicle is parked, the light switch operates only when the ignition switch is in the “ON” position. In any other position, the vehicle’s lights will be out. If you park your vehicle on a roadside at night, use hazard warning flasher to alert the other drivers.



The light switch operates only when the ignition switch is in the “ON” position.

▼ **Headlights**

To turn on the headlights, turn the knob on the end of the turn signal lever.


 first position

Position lights, instrument panel illumination, tail lights and license plate light are on.

 second position

Headlights, position lights, instrument panel illumination, tail lights, and license plate light are on.

▼ **High/low beam change (dimmer)**

To change from low beam to high beam, push the turn signal lever forward. When the headlights are on high beam, the high beam indicator light “” on the instrument panel is also on.

To switch back to low beam, pull the lever back to the detent position.

▼ **Headlight flasher**



**CAUTION**

**Do not hold the lever in the flashing position for more than just a few seconds.**

To flash the headlights, pull the lever toward you and then release it. The high beam will stay on for as long as you hold the lever. The headlight flasher works even though the lighting switch is in the "OFF" position.

When the headlights are on high beam, the high beam indicator light "☰" on the instrument panel also comes on.

### ▼ Daytime running light system (for CANADA models)

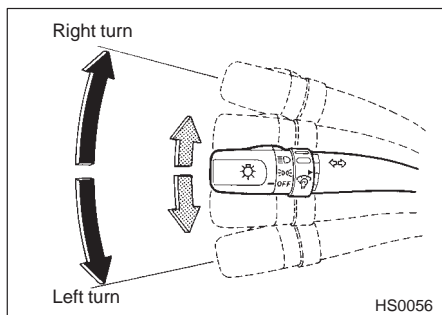
#### **!** WARNING

The tail lights, parking lights, and side marker lights are not turned on by the daytime running light system. The light switch must always be turned to the "☰" position when it is dark outside.

The low beam headlights will automatically come on at reduced brightness when the engine has started, under the following conditions:

- The parking brake is fully released.
- The automatic transmission selector lever is set at other than the "P" position.
- The light switch is in the "OFF" position.

### ▼ Turn signals

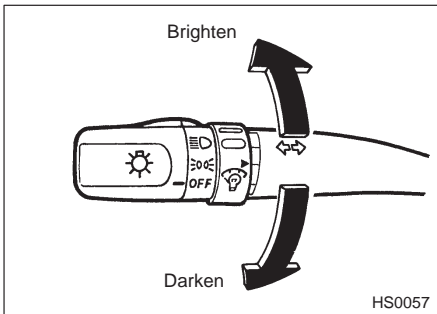




To activate the right turn signal, push the turn signal lever up. To activate the left turn signal, push the turn signal lever down. When the turn is finished, the lever will return automatically. If the lever will not return after cornering, return the lever to the neutral position by hand.

To signal a lane change, push the turn signal lever up or down slightly and hold it during lane change. The turn signal indicator lights will flash in the direction of the turn or lane change. The lever will return automatically to the neutral position when you release it.

### ■ Illumination brightness control



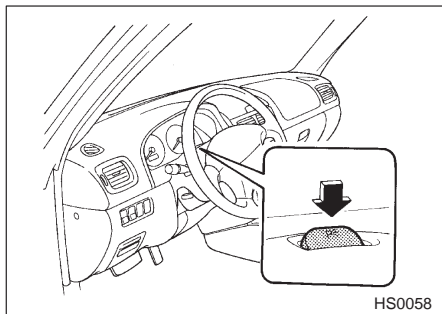
When the lighting switch is in the "☀️" or "💡" position, you can adjust brightness of the instrument panel illumination for better visibility.

To brighten, turn the control dial counterclockwise.

To darken, turn the control dial clockwise.

---

## ■ Parking light switch



The parking light switch operates regardless of the ignition switch position.

By pushing the rear end of this switch, following lights will come on.

- Parking lights
- Front side marker lights
- Tail lights
- License plate lights

To turn off, push the front end of the parking light switch.

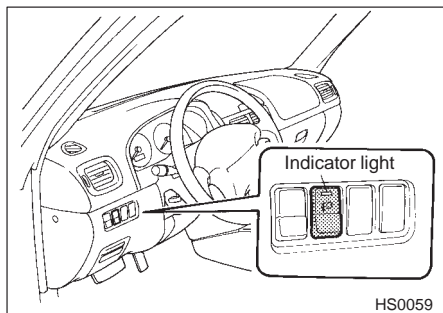
Avoid leaving these lights on for a long time because that will run down the battery.

## ■ Fog light switch (if equipped)

The fog lights operate only when the headlights are on low beam.

Push the fog light switch to turn the fog lights on.

Press the switch again to turn them off.



The indicator light located on the switch will illuminate when the fog lights are on.

## Wiper controls

### **WARNING**

In freezing weather, do not use the windshield washer until the windshield is sufficiently warmed by the defroster.

Otherwise the washer fluid can freeze on the windshield, blocking your view.

### **CAUTION**

- Do not operate the washer continuously for more than ten seconds, or when the washer fluid tank is empty. This may cause overheating of the washer motor. Check the washer fluid level frequently, such as at fuel stops.

- Do not operate the wipers when the windshield or rear window is dry. This may scratch the glass, damage the wiper blades and cause the wiper motor to burn out. Before operating the wiper on a dry windshield or rear window, always use the windshield washer.

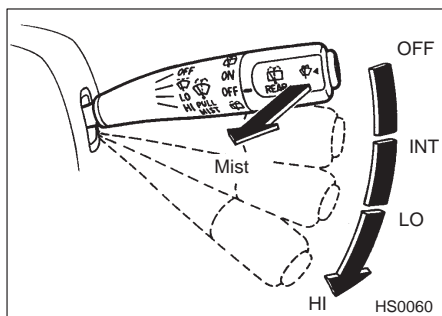
- 
- **In freezing weather, be sure the wiper blades are not frozen to the windshield or rear window before operating the wipers.**
  - **Do not operate the wipers if the wiper blades are frozen to the windshield or rear window. If the wiper would be operated with the wiper blades frozen to the windshield or rear window, the wiper blades could be worn or damaged prematurely, resulting in streaking or incomplete wiping. Be sure to use the defroster or rear window defogger, if the wiper blades are frozen to the glass.**
  - **Do not clean the wiper blades with gasoline or a solvent, such as paint thinner or benzene. This will cause deterioration of the wiper blades.**

#### **NOTE**

- The wiper operates only when the ignition switch is in the “ON” or “ACC” position.
- Clean your wiper blades and windshield periodically with a windshield washer solution to prevent streaking, and to remove accumulations of road salt or road film. Keep the windshield washer button depressed at least for 1 second so that washer solution will be sprinkled all over the windshield or rear window.
- Grease, wax, insects or other material on the windshield or the wiper blade results in jerky wiper operation and streaking on the glass. If you cannot remove those streaks after operating the windshield washer or if the wiper operation is jerky, clean the outer surface of the windshield (or rear window) and the wiper blades using a sponge or soft cloth with a neutral detergent or mild-abrasive cleaner. After cleaning, rinse the windshield and wiper blades with clean water. The windshield is clean if beads do not form when you rinse the windshield with water.
- If you cannot eliminate the streaking even after following this method, replace the wiper blades with new ones. Refer to the Wiper Blade Replacement section (chapter 10) for replacement instructions.

## ■ Windshield wipers and washer switch

### ▼ Windshield wipers



To turn the wipers on, push the wiper control lever down.

 : Intermittent

LO : Low speed

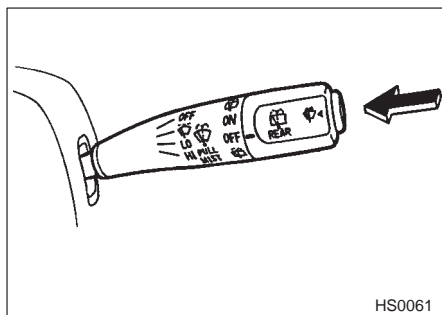
HI : High speed

To turn the wipers off, return the lever to the "OFF" position.

### ▼ Mist (for a single wipe)

For a single wipe of the wipers, pull the lever toward you. The wipers operate until you release the lever.

### ▼ Washer



---

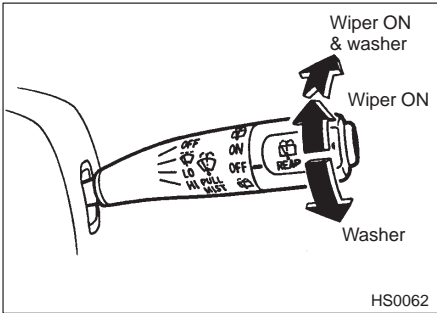
To wash the windshield, push the washer button at the end of the wiper control lever. The washer fluid sprays until you release the washer button. The wipers operate while you push the button.

## ■ Rear window wiper and washer switch



### **CAUTION**


- In freezing weather, be sure the wiper blade is not frozen to the rear window before operating the rear wiper. Attempting to operate the wiper while the blade is frozen to the rear window could cause the wiper motor to burn out. If the wiper blade is frozen to the rear window, turn on the rear window defogger and wait to melt the frozen wiper blade from the rear window before operating the rear wiper.
  - If the wiper stops during operation because of ice or some other obstruction on the rear window, the wiper motor could burn out even if the wiper switch is turned off. If this occurs, promptly stop the vehicle in a safe place, turn the ignition switch to the “LOCK” position and clean the rear window to allow proper wiper operation.
  - To prevent the washer motor from overheating, avoid operating the washer switch for more than 10 seconds continuously, or when the washer fluid tank is empty. Check washer fluid level frequently, such as at fuel stops.
  - Use clean water if windshield washer fluid is unavailable. In areas where water freezes in winter, use SUBARU Windshield Washer Fluid or the equivalent. (See Windshield Washer Fluid section in chapter 10.)
- Also, when driving the vehicle when there are freezing temperatures, use non-freezing type wiper blades.




To turn the rear wiper on, turn the knob on the end of the wiper control lever to the "ON" position.

To turn the wiper off, return the knob on the end of the lever to the "OFF" position.

#### ▼ Washer

To wash the rear window while the rear wiper is operating, turn the knob on the end of the wiper control lever counterclockwise to the "  " position. The washer fluid sprays until you release the knob.

To wash the rear window when the rear wiper is not in use, turn the knob on the end of the wiper control lever clockwise to the "  " position. The washer fluid sprays and the wiper operates until you release the knob.

---

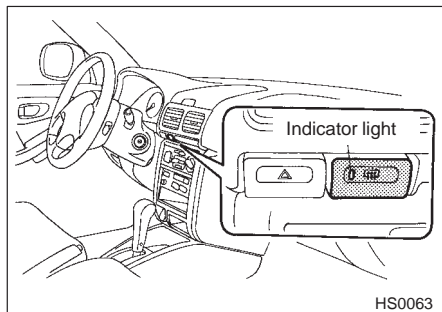
## Rear window defogger switch

---

### CAUTION

- Do not use sharp instruments or window cleaner containing abrasives to clean the inner surface of the rear window. They may damage the conductors printed on the window.
- To prevent the battery from being discharged, do not operate the defogger continuously longer than necessary.

The rear window defogger operates only when the ignition switch is in the "ON" position.



To turn on the defogger, push the switch. To turn it off, push the switch again.

The indicator light located on the switch is on while the rear window defogger is operating.

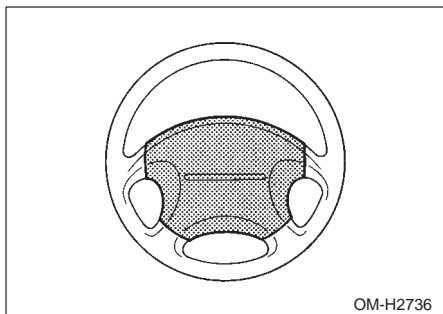
The defogger will automatically shut off after about 15 minutes. If the window clears before this time, push the switch to turn it off. It also turns off when the ignition switch is turned to the "ACC" or "LOCK" position. If defrosting or defogging is desired when you restart your vehicle, you have to push the switch to turn it on again.

### NOTE

If your vehicle is equipped with the outside mirror defogger, the outside mirror defogger operates while the rear window defogger is operating.



## Horn

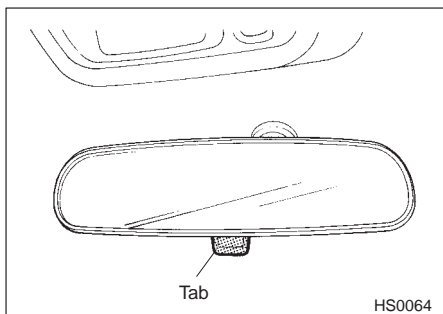


To sound the horn, push the horn pad.

## Mirrors

Always check that the inside and outside mirrors are properly adjusted before you start driving.

### ■ Inside mirror



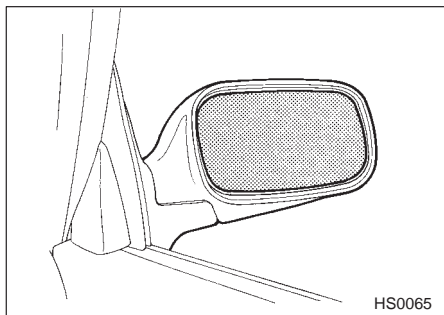
The inside mirror has a day and night position. Pull the tab at the bottom of the mirror toward you for the night position. Push it away for the day position. The night position reduces glare from headlights.

– CONTINUED –

## ■ Outside mirrors

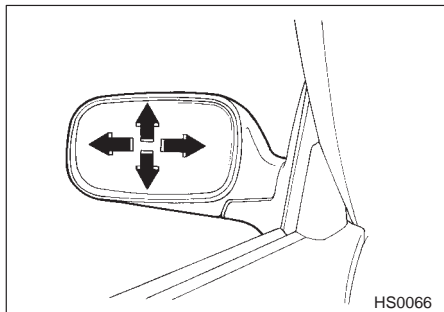
### **WARNING**

Objects look smaller in a convex mirror (passenger side) and farther away than when viewed in a flat mirror. Do not use the convex mirror to judge the distances of vehicles behind you when changing lanes. Use the inside mirror (or glance backwards) to determine the actual size and distance of objects that you view in the convex mirror.



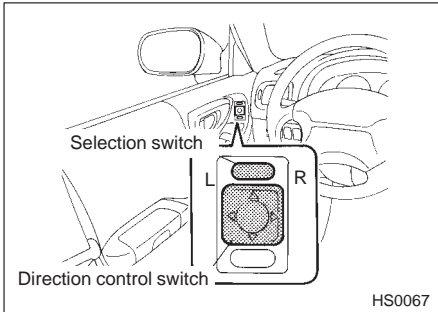
### **Adjusting mirrors**

To adjust the mirrors by hand, push where indicated by the arrows.



▼ **Remote control mirror switch (if equipped)**

The remote control mirrors operate only when the ignition switch is in the "ON" or "ACC" position.



1. Press either end of the selection switch, "L" for the left and "R" for the right.
2. Move the direction control switch to the direction you want to move the mirror.
3. Return the selection switch to the neutral position to prevent unintentional operation.

The mirrors can also be adjusted manually.

▼ **Outside mirror defogger (if equipped)**

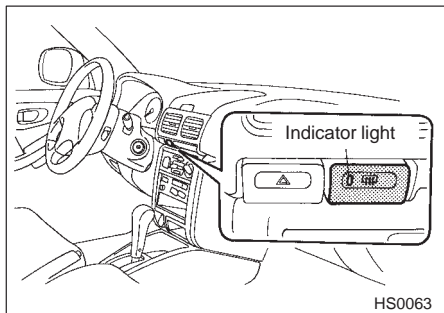


**CAUTION**

**To prevent the battery from being discharged, do not operate the defogger continuously longer than necessary.**

The outside mirror defogger shares the switch with rear window defogger.

The outside mirror defogger operates only when the ignition switch is in the "ON" position.



To turn on the outside mirror defogger, push the switch. To turn it off, push the switch again.

The indicator light located on the switch is on while the outside mirror defogger is operation. The defogger will automatically shut off after about 15 minutes. If the mirror clears before this time, push the switch to turn it off. It also turns off when the ignition switch is turned to the "ACC" or "LOCK" position. If defrosting or defogging is desired when you restart your vehicle, you have to push the switch to turn it on again.

**NOTE**

While the outside mirror defogger is operating, the rear window defogger also operates