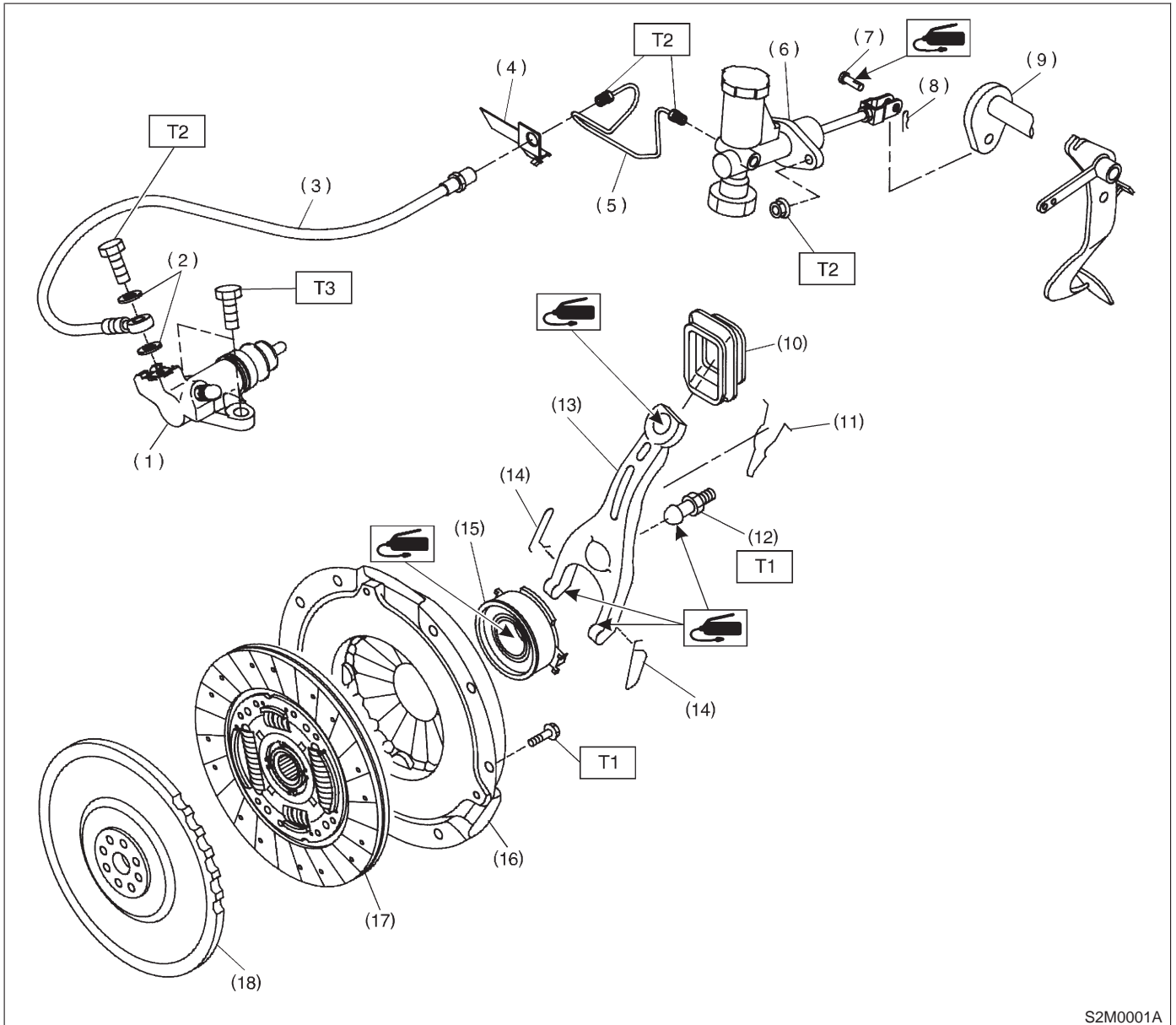


1. Clutch System



S2M0001A

- (1) Operating cylinder
- (2) Washer
- (3) Clutch hose
- (4) Bracket
- (5) Pipe
- (6) Master cylinder ASSY
- (7) Clevis pin
- (8) Snap pin

- (9) Lever
- (10) Clutch release lever sealing
- (11) Retainer spring
- (12) Pivot
- (13) Release lever
- (14) Clip
- (15) Release bearing
- (16) Clutch cover

- (17) Clutch disc
- (18) Flywheel

Tightening torque: N-m (kg-m, ft-lb)

T1: 15.7±1.5 (1.6±0.15, 11.6±1.1)

T2: 18±3 (1.8±0.3, 13.0±2.2)

T3: 37±3 (3.8±0.3, 27.5±2.2)