

1. General

A: PRECAUTION

When servicing clutch system, pay attention to the following items.

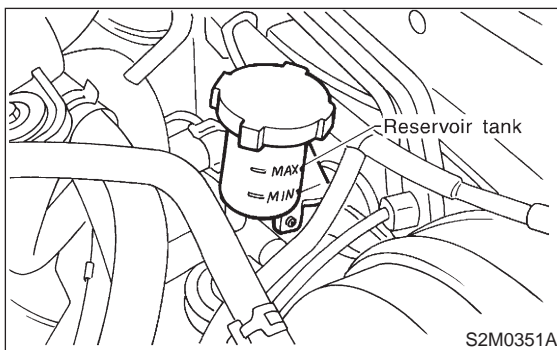
1) Check fluid level using a scale on outside of reservoir tank. If the level is below "MIN", add brake fluid to bring it up to "MAX".

Recommended brake fluid:

FMVSS No. 116, fresh DOT3 or DOT4 brake fluid

CAUTION:

- Avoid mixing different grades of brake fluid to prevent degradation of the fluid.
- Be careful not to allow dirt or dust to get into the reservoir tank.
- Use fresh DOT3 or DOT4 brake fluid when refilling fluid.



- 2) Make sure that brake fluid does not leak from master cylinder, operating cylinder and piping.
- 3) Apply grease sufficiently to the release lever pinion.
- 4) Check for proper clutch disengagement and clutch pedal return ability.

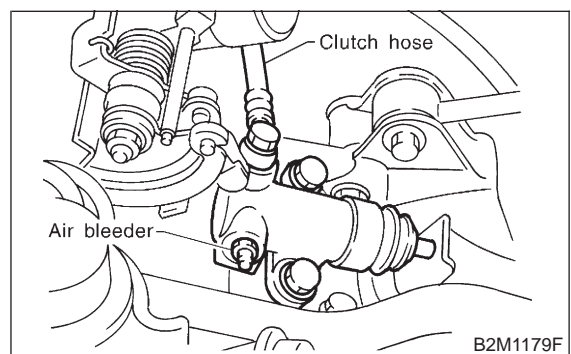
2. On-car Service

A: ADJUSTMENT

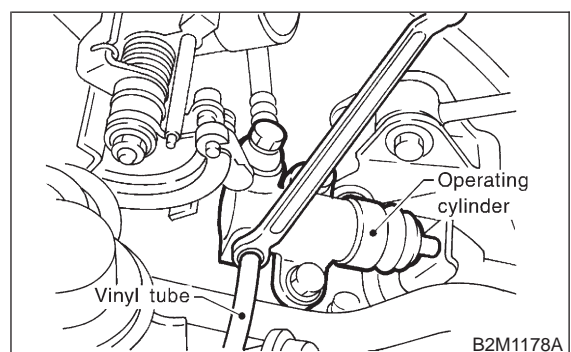
NOTE:

Bleed air from oil line with the help of a co-worker.

- 1) Remove air chamber.
- 2) Fit one end of a vinyl tube into the air bleeder of operating cylinder and put the other end into a brake fluid container.



- 3) Slowly depress the clutch pedal and keep it depressed. Then open the air bleeder to discharge air together with the fluid. Release the air bleeder for 1 or 2 seconds. Next, with the bleeder closed, slowly release the clutch pedal.



- 4) Repeat these steps until there are no more air bubbles in the vinyl tube.

CAUTION:

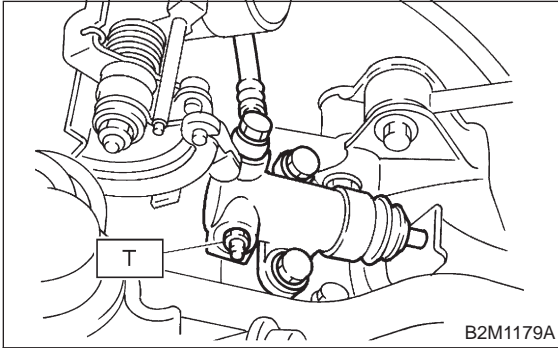
Cover bleeder with waste cloth when loosening it, to prevent brake fluid from being splashed over surrounding parts.

3. Release Bearing and Lever

5) Tighten air bleeder.

Tightening torque:

T: 18 ± 3 N·m (1.8 ± 0.3 kg·m, 13.0 ± 2.2 ft·lb)



6) After depressing the clutch pedal, make sure that there are no leaks evident in the entire system.
7) After bleeding air from system, ensure that clutch operates properly.

3. Release Bearing and Lever**A: REMOVAL**

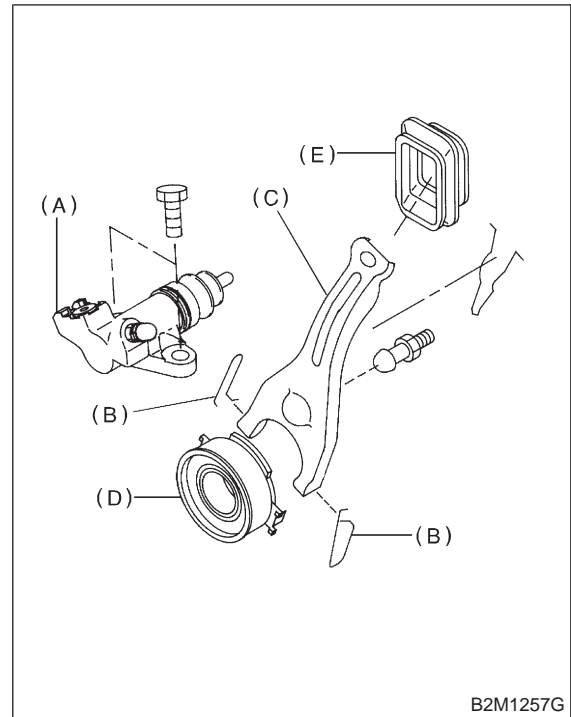
1) Remove transmission assembly from vehicle body.
<Ref. to 2-11 [W2A0].>

2) Remove operating cylinder.
<Ref. to 2-10 [W5A0].>

3) Remove the two clips from clutch release lever and remove release bearing.

CAUTION:
Be careful not to deform clips.

4) Remove release lever seal.



- (A) Operating cylinder
- (B) Clip
- (C) Clutch release lever
- (D) Release bearing
- (E) Release lever seal