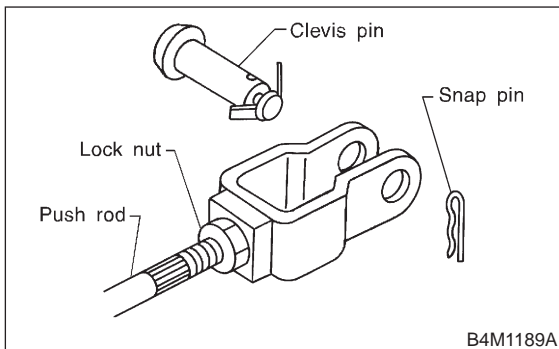


6. Master Cylinder and Reservoir Tank

A: REMOVAL

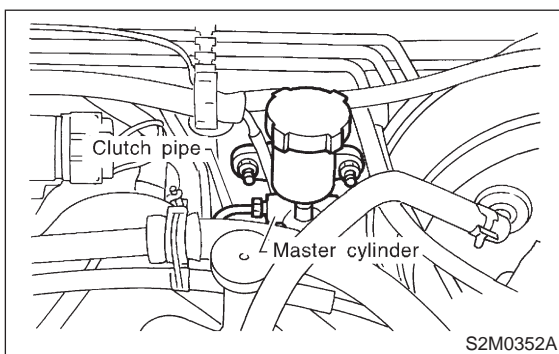
- 1) Thoroughly drain brake fluid from reservoir tank.
- 2) Remove snap pin, clevis pin and separate push rod of master cylinder from clutch pedal.



- 3) Remove clutch pipe from master cylinder.
- 4) Remove master cylinder with reservoir tank.

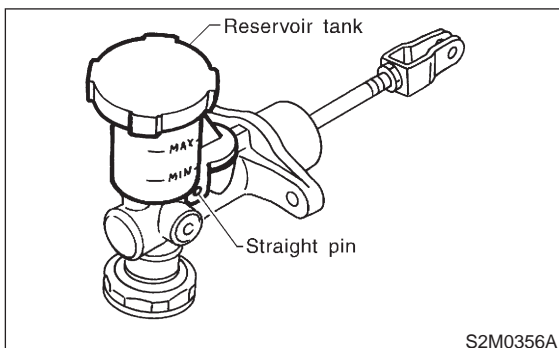
CAUTION:

Be extremely careful not to spill brake fluid. Brake fluid spilt on the vehicle body will harm the paint surface; wipe it off quickly if spilt.

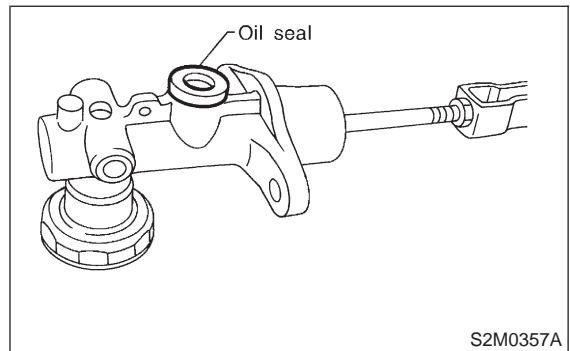


B: DISASSEMBLY

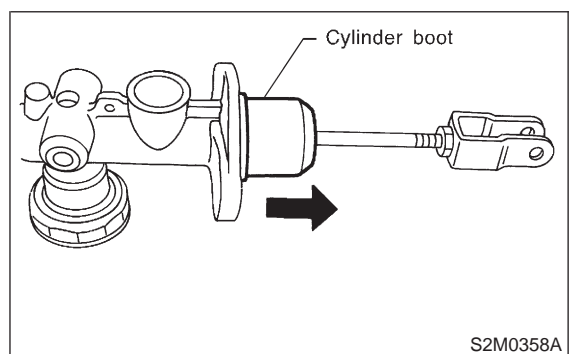
- 1) Remove straight pin and reservoir tank.



- 2) Remove oil seal.



- 3) Move the cylinder boot backward.

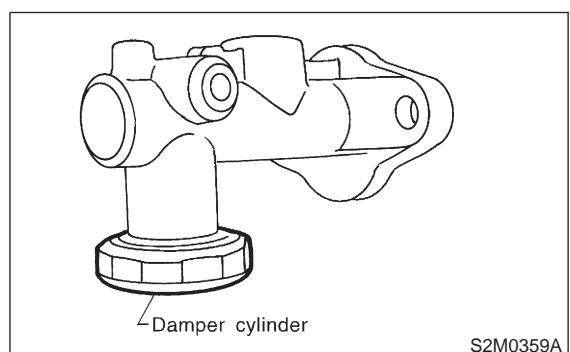


- 4) Remove snap ring.

CAUTION:

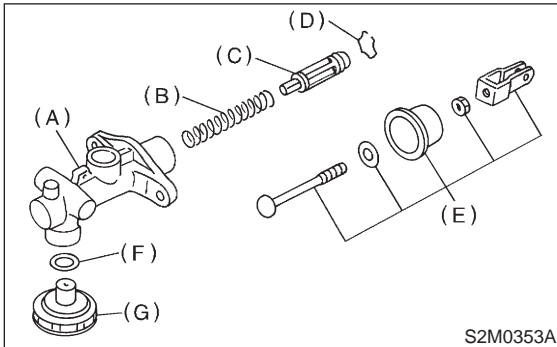
Be careful when removing the snap ring to prevent the rod, washer, piston and return spring from flying out.

- 5) Remove damper cylinder from master cylinder body.



C: INSPECTION

If any damage, deformation, wear, swelling, rust or other faults are found on the cylinder, piston, push rod, fluid reservoir, return spring and gasket, replace the faulty part.



- (A) Master cylinder body
- (B) Return spring
- (C) Piston
- (D) Snap ring
- (E) Rod assy
- (F) Washer
- (G) Damper cylinder

D: ASSEMBLY**CAUTION:**

Apply a coat of grease to the contacting surfaces of the push rod and piston before installation.

- 1) To assemble the master cylinder reverse the sequence of disassembly procedure.
- 2) Install damper cylinder washer. Install damper cylinder and tighten to the specified torque.

Tightening torque:

T: 46.6 ± 7.4 N·m (4.75 ± 0.75 kg·m, 34.4 ± 5.4 ft·lb)

E: INSTALLATION

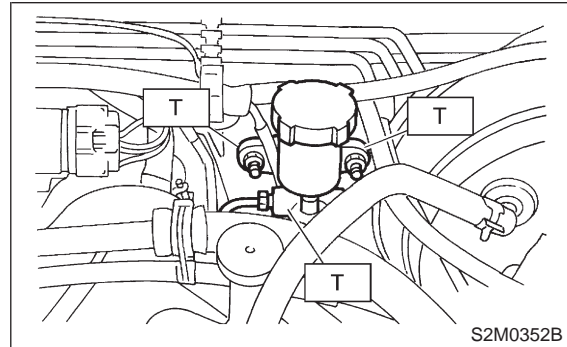
- 1) Install master cylinder to body, and install clutch pipe to master cylinder.

CAUTION:

Check that pipe is routed properly.

Tightening torque:

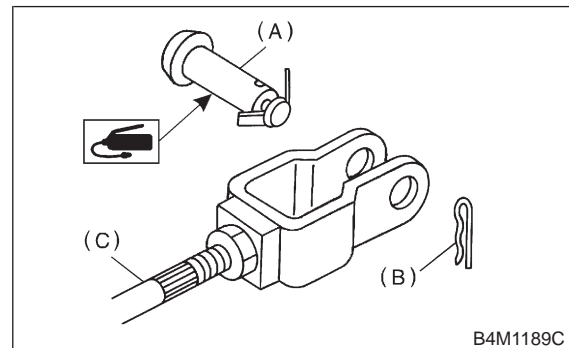
T: 18 ± 3 N·m (1.8 ± 0.3 kg·m, 13.0 ± 2.2 ft·lb)



- 2) Connect push rod of master cylinder to clutch pedal, and install clevis pin and snap pin.

NOTE:

Apply grease to clevis pin.



- (A) Clevis pin
- (B) Snap pin
- (C) Push rod

- 3) After bleeding air from system, ensure that clutch operates properly.
<Ref. to 2-10 [W2A0].>