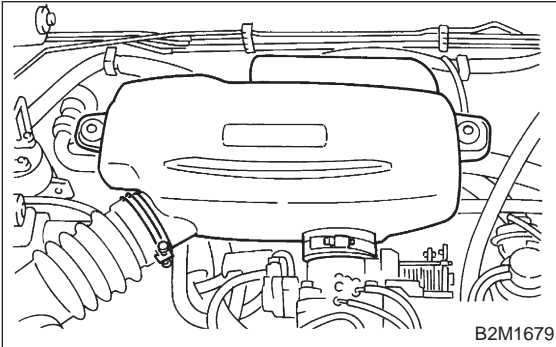


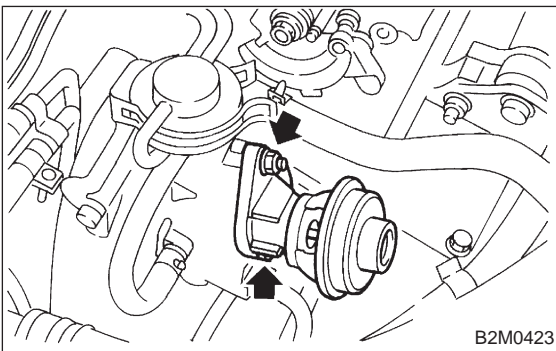
5. EGR Valve

A: REMOVAL AND INSTALLATION

- 1) Remove air intake chamber.



- 2) Disconnect vacuum hose from EGR valve.
- 3) Remove bolts which install EGR valve onto intake manifold.



- 4) Installation is in the reverse order of removal.

CAUTION:

Replace gasket with a new one.

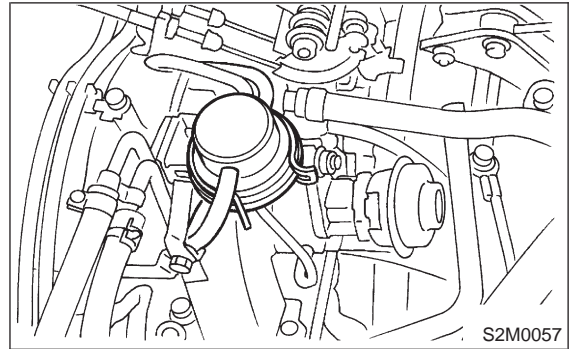
Tightening torque:

$18.6 \pm 1.5 \text{ N}\cdot\text{m}$ ($1.9 \pm 1.5 \text{ kg}\cdot\text{m}$, $13.7 \pm 1.1 \text{ ft}\cdot\text{lb}$)

6. Back-Pressure Transducer (BPT)

A: REMOVAL AND INSTALLATION

- 1) Disconnect vacuum hoses from BPT.
- 2) Remove BPT from bracket.



- 3) Installation is in the reverse order of removal.