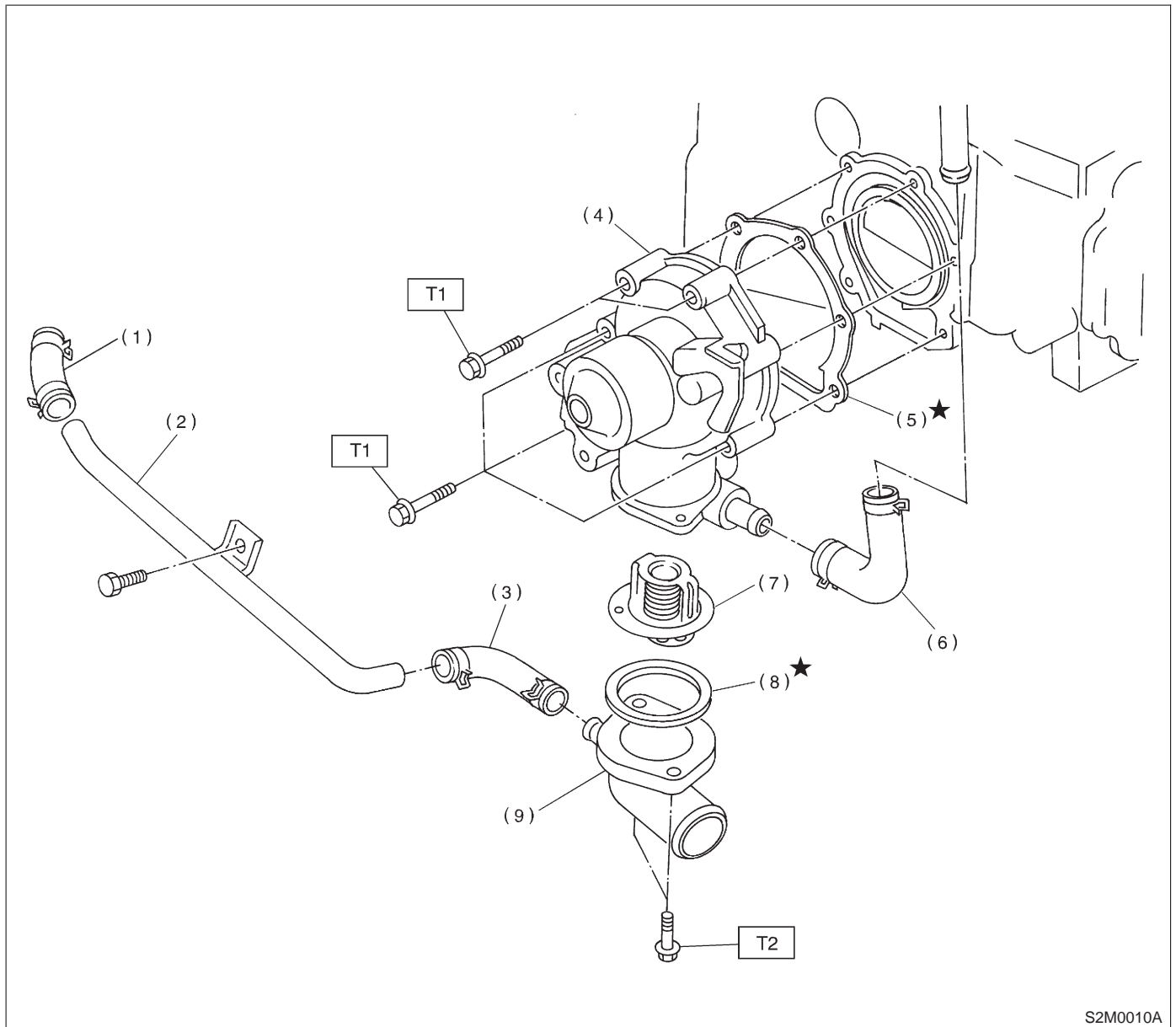


1. Water Pump



S2M0010A

- | | |
|--|---------------------|
| (1) Water by-pass hose A (AT vehicles) | (6) Heater hose |
| (2) Water by-pass pipe (AT vehicles) | (7) Thermostat |
| (3) Water by-pass hose B (AT vehicles) | (8) Gasket |
| (4) Water pump ASSY | (9) Thermostat case |
| (5) Gasket | |

Tightening torque: N-m (kg-m, ft-lb)

T1: First

$10^{+4}/_{-0} (1.0^{+0.4}/_{-0}, 7.2^{+2.9}/_{-0})$

Second

$10^{+4}/_{-0} (1.0^{+0.4}/_{-0}, 7.2^{+2.9}/_{-0})$

T2: $6.4 \pm 0.5 (0.65 \pm 0.05, 4.7 \pm 0.4)$