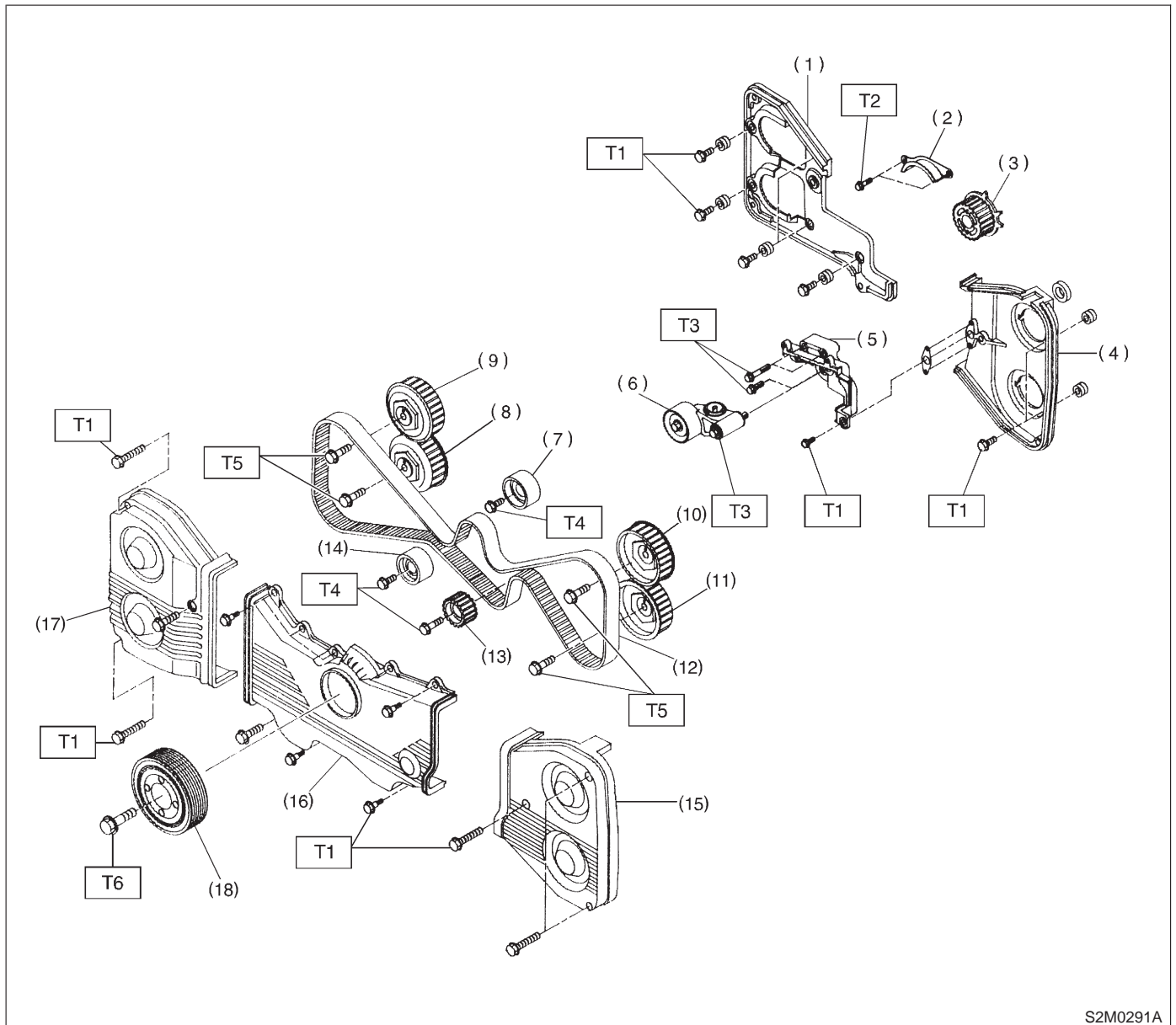


1. Timing Belt



S2M0291A

- | | | |
|--|--|----------------------------|
| (1) Right-hand belt cover No. 2 | (9) Right-hand intake camshaft sprocket | (17) Right-hand belt cover |
| (2) Timing belt guide (MT vehicles only) | (10) Left-hand intake camshaft sprocket | (18) Crankshaft pulley |
| (3) Crankshaft sprocket | (11) Left-hand exhaust camshaft sprocket | |
| (4) Left-hand belt cover No. 2 | (12) Timing belt | |
| (5) Tensioner bracket | (13) Belt idler No. 2 | |
| (6) Automatic belt tension adjuster ASSY | (14) Belt idler | |
| (7) Belt idler | (15) Left-hand belt cover | |
| (8) Right-hand exhaust camshaft sprocket | (16) Front belt cover | |

Tightening torque: N-m (kg-m, ft-lb)

- T1: 4.9±0.5 (0.5±0.05, 3.6±0.4)**
T2: 9.8±1.0 (1.0±0.1, 7.2±0.7)
T3: 25±3 (2.5±0.3, 18.1±2.2)
T4: 39±4 (4.0±0.4, 28.9±2.9)
T5: 78±5 (8.0±0.5, 57.9±3.6)
T6: 177±10 (18.0±1.0, 130±7)