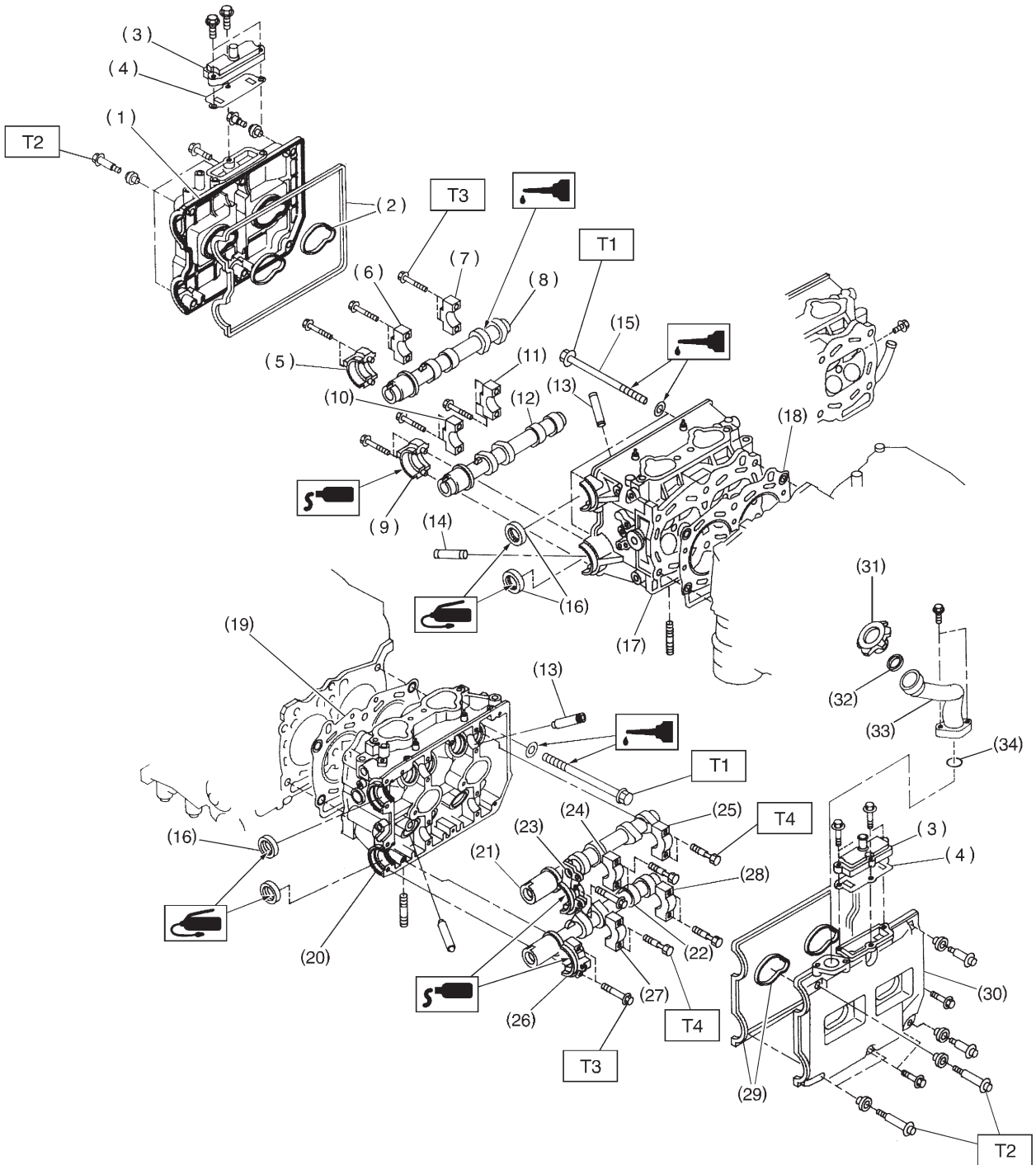


2. Cylinder Head and Camshaft



- | | | |
|---------------------------------------|---------------------------------------|-------------------------------------|
| (1) Rocker cover (RH) | (14) Exhaust valve guide | (28) Exhaust camshaft cap (Rear LH) |
| (2) Rocker cover gasket (RH) | (15) Cylinder head bolt | (29) Rocker cover gasket (LH) |
| (3) Oil separator cover | (16) Oil seal | (30) Rocker cover (LH) |
| (4) Gasket | (17) Cylinder head (RH) | (31) Oil filler cap |
| (5) Intake camshaft cap (Front RH) | (18) Cylinder head gasket (RH) | (32) Gasket |
| (6) Intake camshaft cap (Center RH) | (19) Cylinder head gasket (LH) | (33) Oil filler duct |
| (7) Intake camshaft cap (Rear RH) | (20) Cylinder head (LH) | (34) O-ring |
| (8) Intake camshaft (RH) | (21) Intake camshaft (LH) | |
| (9) Exhaust camshaft cap (Front RH) | (22) Exhaust camshaft (LH) | |
| (10) Exhaust camshaft cap (Center RH) | (23) Intake camshaft cap (Front LH) | |
| (11) Exhaust camshaft cap (Rear RH) | (24) Intake camshaft cap (Center LH) | |
| (12) Exhaust camshaft (RH) | (25) Intake camshaft cap (Rear LH) | |
| (13) Intake valve guide | (26) Exhaust camshaft (Front LH) | |
| | (27) Exhaust camshaft cap (Center LH) | |

Tightening torque: N·m (kg·m, ft·lb)**T1: Ref. to 2-3 [W4E1].****T2: 5 (0.5, 3.6)****T3: 10±0.7 (1.0±0.07, 7.2±0.5)****T4: 20±2 (2.0±0.2, 14.5±1.4)**
