

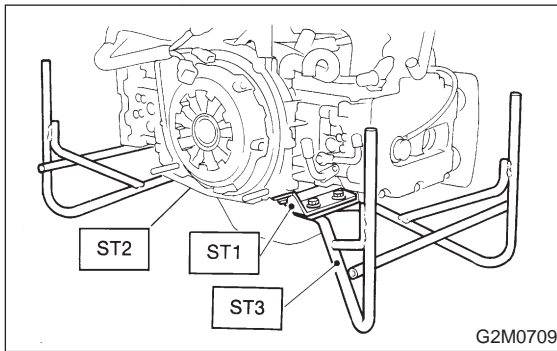
1. General Precautions

(1) Before disassembling engine, place it on ST3.

ST1 498457000 ENGINE STAND ADAPTER
RH

ST2 498457100 ENGINE STAND ADAPTER
LH

ST3 499817000 ENGINE STAND



(2) All parts should be thoroughly cleaned, paying special attention to the engine oil passages, pistons and bearings.

(3) Rotating parts and sliding parts such as piston, bearing and gear should be coated with oil prior to assembly.

(4) Be careful not to let oil, grease or coolant contact the timing belt, clutch disc and flywheel.

(5) All removed parts, if to be reused, should be reinstalled in the original positions and directions.

(6) Gaskets and lock washers must be replaced with new ones. Liquid gasket should be used where specified to prevent leakage.

(7) Bolts, nuts and washers should be replaced with new ones as required.

(8) Even if necessary inspections have been made in advance, proceed with assembly work while making rechecks.