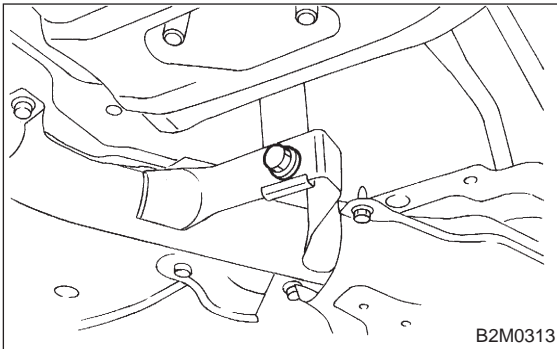


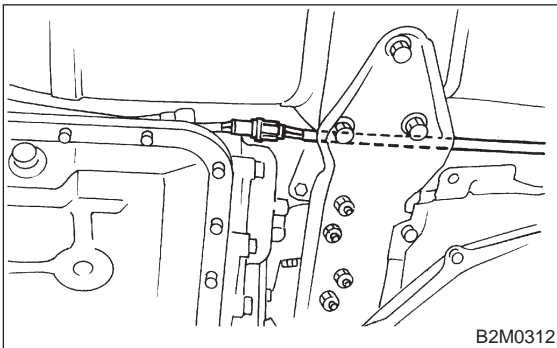
5) Tighten bolt which holds center exhaust pipe to hanger bracket.

Tightening torque:

35 ± 5 N·m (3.6 ± 0.5 kg·m, 26.0 ± 3.6 ft·lb)

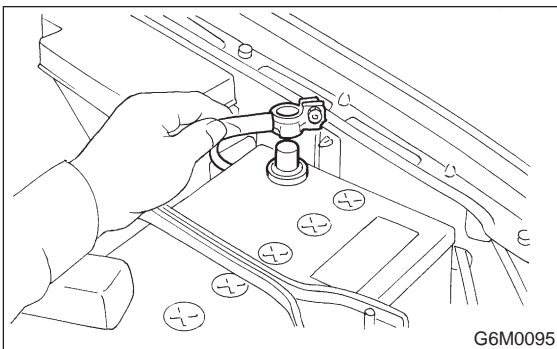


6) Connect rear oxygen sensor connector. (Except California spec. vehicles)



7) Lower the vehicle.

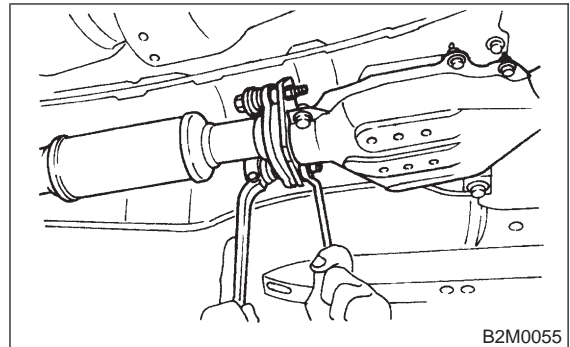
8) Connect battery ground cable.



3. Rear Exhaust Pipe

A: REMOVAL

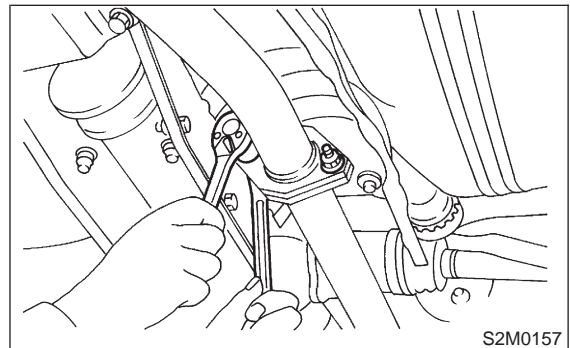
1) Separate rear exhaust pipe from center exhaust pipe.



2) Separate rear exhaust pipe from muffler.

CAUTION:

Be careful not to pull down rear exhaust pipe.

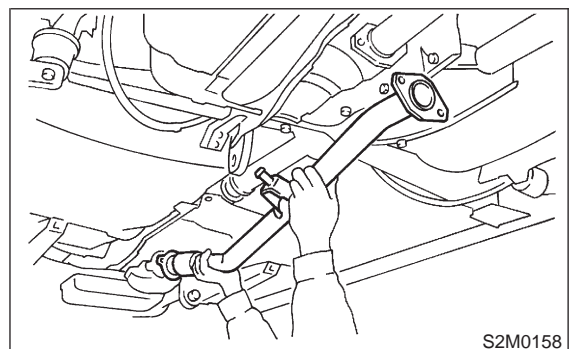


3) Remove rear exhaust pipe bracket from rubber cushion.

NOTE:

To facilitate removal, apply a coat of SUBARU CRC or equivalent to pipe bracket in advance.

SUBARU CRC (Part No. 004301003)



B: INSTALLATION**CAUTION:**

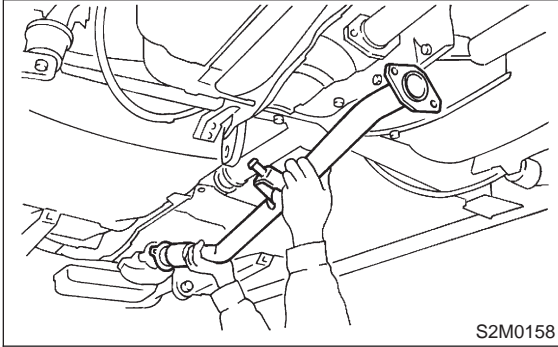
Replace gaskets with new ones.

- 1) Install rear exhaust pipe bracket to rubber cushion.

NOTE:

To facilitate installation, apply a coat of SUBARU CRC or equivalent to mating area of rubber cushion in advance.

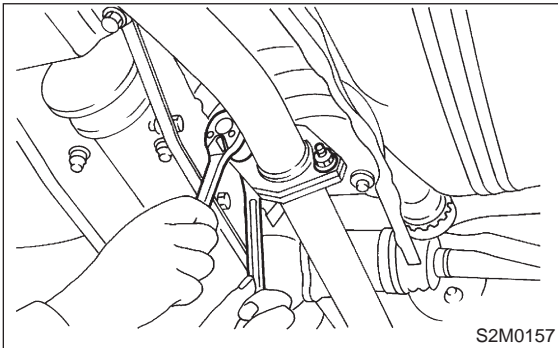
SUBARU CRC (Part No. 004301003)



- 2) Install rear exhaust pipe to muffler.

Tightening torque:

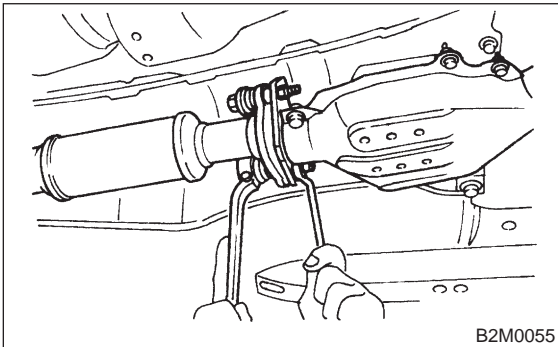
$48 \pm 5 \text{ N}\cdot\text{m}$ ($4.9 \pm 0.5 \text{ kg}\cdot\text{m}$, $35.4 \pm 3.6 \text{ ft}\cdot\text{lb}$)



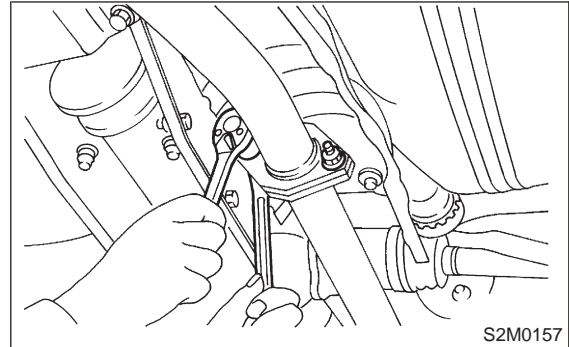
- 3) Install rear exhaust pipe to center exhaust pipe.

Tightening torque:

$18 \pm 5 \text{ N}\cdot\text{m}$ ($1.8 \pm 0.5 \text{ kg}\cdot\text{m}$, $13.0 \pm 3.6 \text{ ft}\cdot\text{lb}$)

**4. Muffler****A: REMOVAL AND INSTALLATION**

- 1) Separate muffler from rear exhaust pipe.



- 2) Remove left and right rubber cushions.

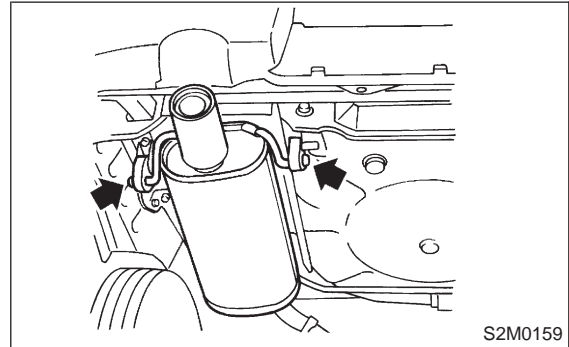
CAUTION:

Be careful not to pull down muffler.

NOTE:

To facilitate removal, apply a coat of SUBARU CRC or equivalent to mating area of rubber cushions in advance.

SUBARU CRC (Part No. 004301003)



- 3) Remove front rubber cushion, and detach muffler assembly.

NOTE:

To facilitate removal, apply a coat of SUBARU CRC or equivalent to mating area of rubber cushion in advance.

SUBARU CRC (Part No. 004301003)

