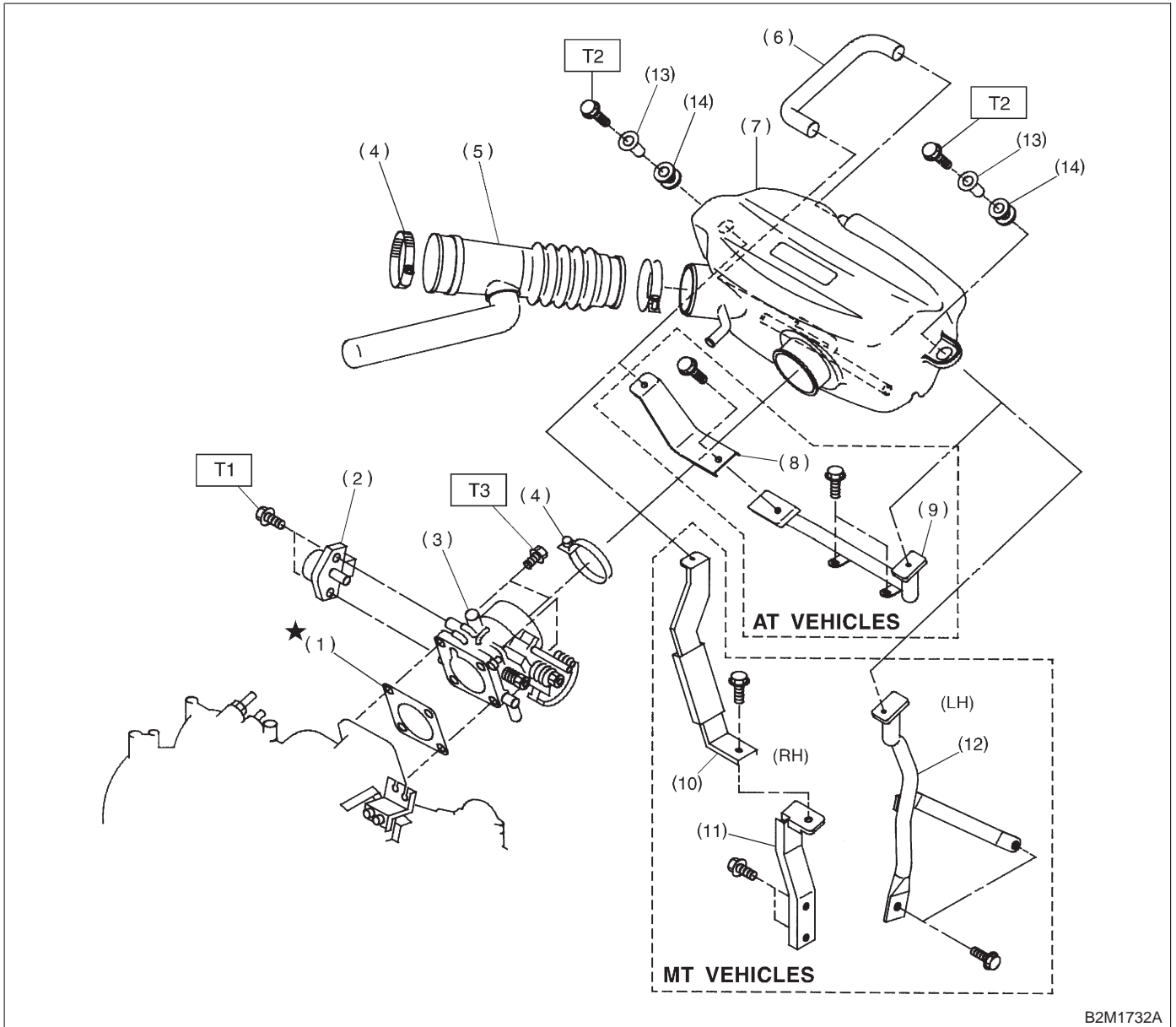


2. Air Intake System



B2M1732A

- |                              |                           |
|------------------------------|---------------------------|
| (1) Gasket                   | (8) Stay A (AT vehicles)  |
| (2) Throttle position sensor | (9) Stay B (AT vehicles)  |
| (3) Throttle body            | (10) Stay C (MT vehicles) |
| (4) Clamp                    | (11) Stay D (MT vehicles) |
| (5) Air intake duct          | (12) Spacer               |
| (6) By-pass hose             | (13) Bush                 |
| (7) Air intake chamber       |                           |

**Tightening torque: N-m (kg-m, ft-lb)**

**T1: 2.2±0.2 (0.22±0.02, 1.6±0.1)**

**T2: 4.9±0.5 (0.5±0.05, 3.6±0.4)**

**T3: 22±2 (2.2±0.2, 15.9±1.4)**