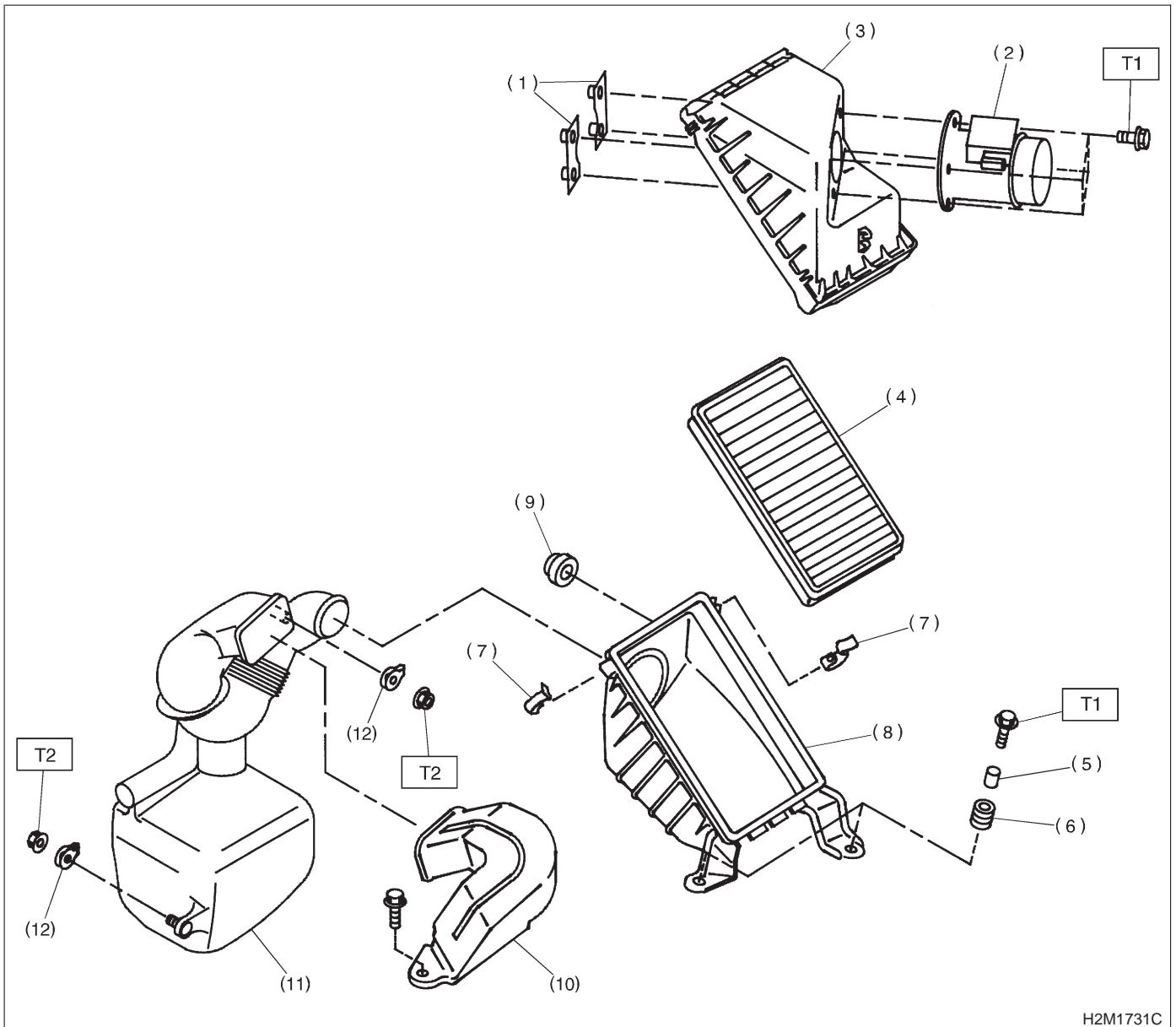


3. Air Cleaner



- | | |
|----------------------------------|-----------------------------|
| (1) Mass air flow sensor bracket | (7) Clip |
| (2) Mass air flow sensor ASSY | (8) Air cleaner case |
| (3) Air cleaner upper cover | (9) Cushion rubber |
| (4) Air cleaner element | (10) Air intake duct |
| (5) Spacer | (11) Resonator chamber ASSY |
| (6) Bush | (12) Clip |

Tightening torque: N-m (kg-m, ft-lb)

T1: 7.4±2.0 (0.75±0.2, 5.4±1.4)

T2: 33±10 (3.4±1.0, 25±7)