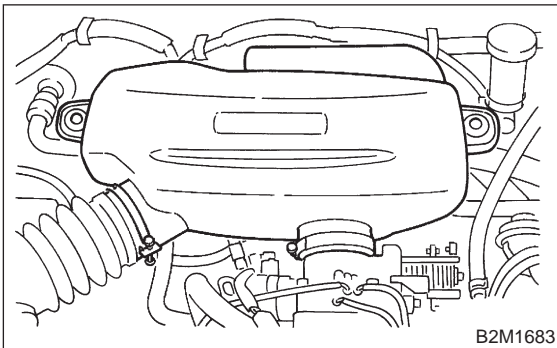
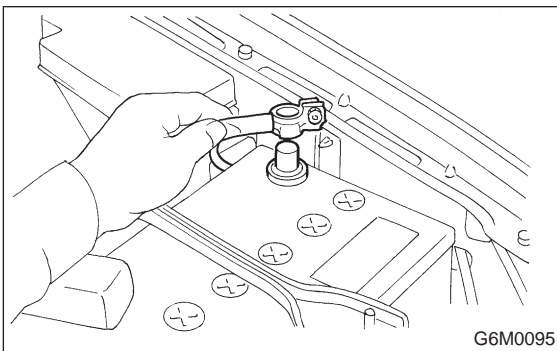


4) Install air intake chamber. <Ref. to 2-7 [W19A0].>



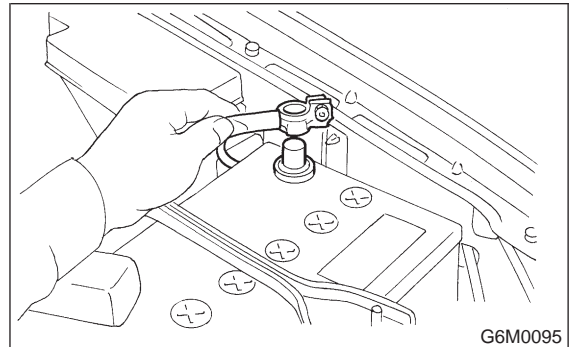
5) Connect battery ground cable to battery ground terminal.



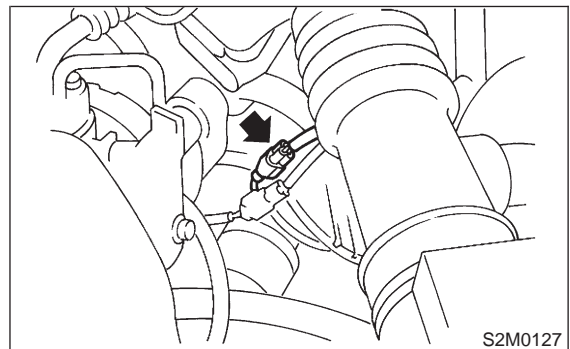
## 9. Front Oxygen Sensor

### A: REMOVAL

1) Disconnect battery ground cable.



2) Disconnect connector from front oxygen sensor.



3) Lift-up the vehicle.

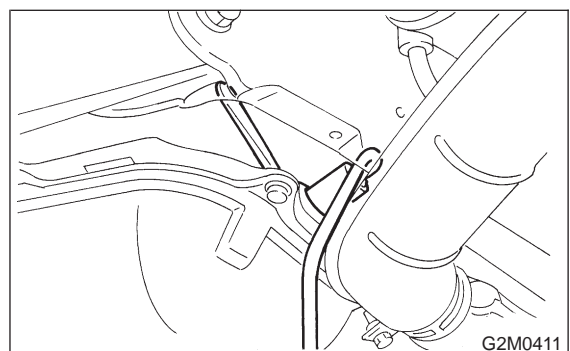
4) Apply SUBARU CRC or its equivalent to threaded portion of front oxygen sensor, and leave it for one minute or more.

**SUBARU CRC (Part No. 004301003)**

5) Remove front oxygen sensor.

#### CAUTION:

**When removing oxygen sensor, do not force oxygen sensor especially when exhaust pipe is cold, otherwise it will damage exhaust pipe.**

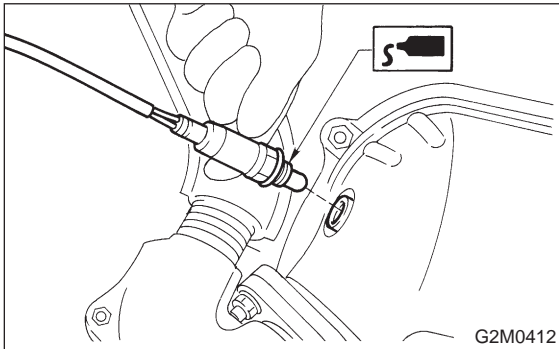


**B: INSTALLATION**

1) Before installing front oxygen sensor, apply anti-seize compound only to threaded portion of front oxygen sensor to make the next removal easier.

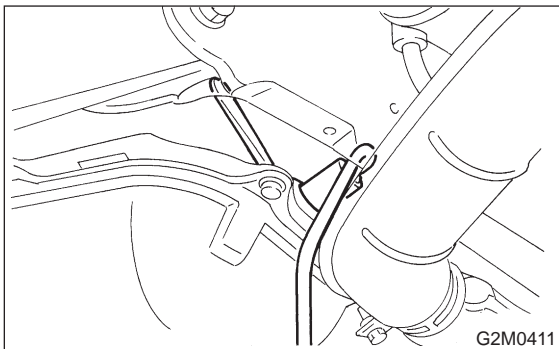
**Anti-seize compound:**  
**SS-30 by JET LUBE**

**CAUTION:**  
Never apply anti-seize compound to protector of front oxygen sensor.



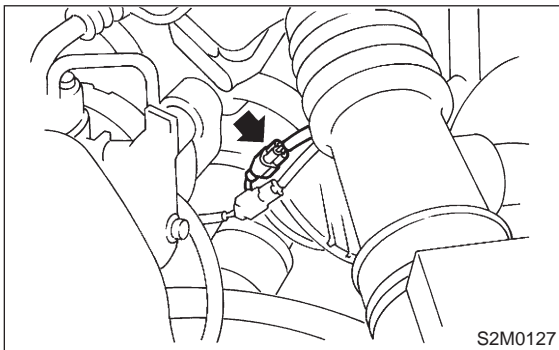
2) Install front oxygen sensor.

**Tightening torque:**  
 **$21 \pm 3$  N·m ( $2.1 \pm 0.3$  kg·m,  $15.2 \pm 2.2$  ft·lb)**



3) Lower the vehicle.

4) Connect connector of front oxygen sensor.



5) Connect battery ground cable.

