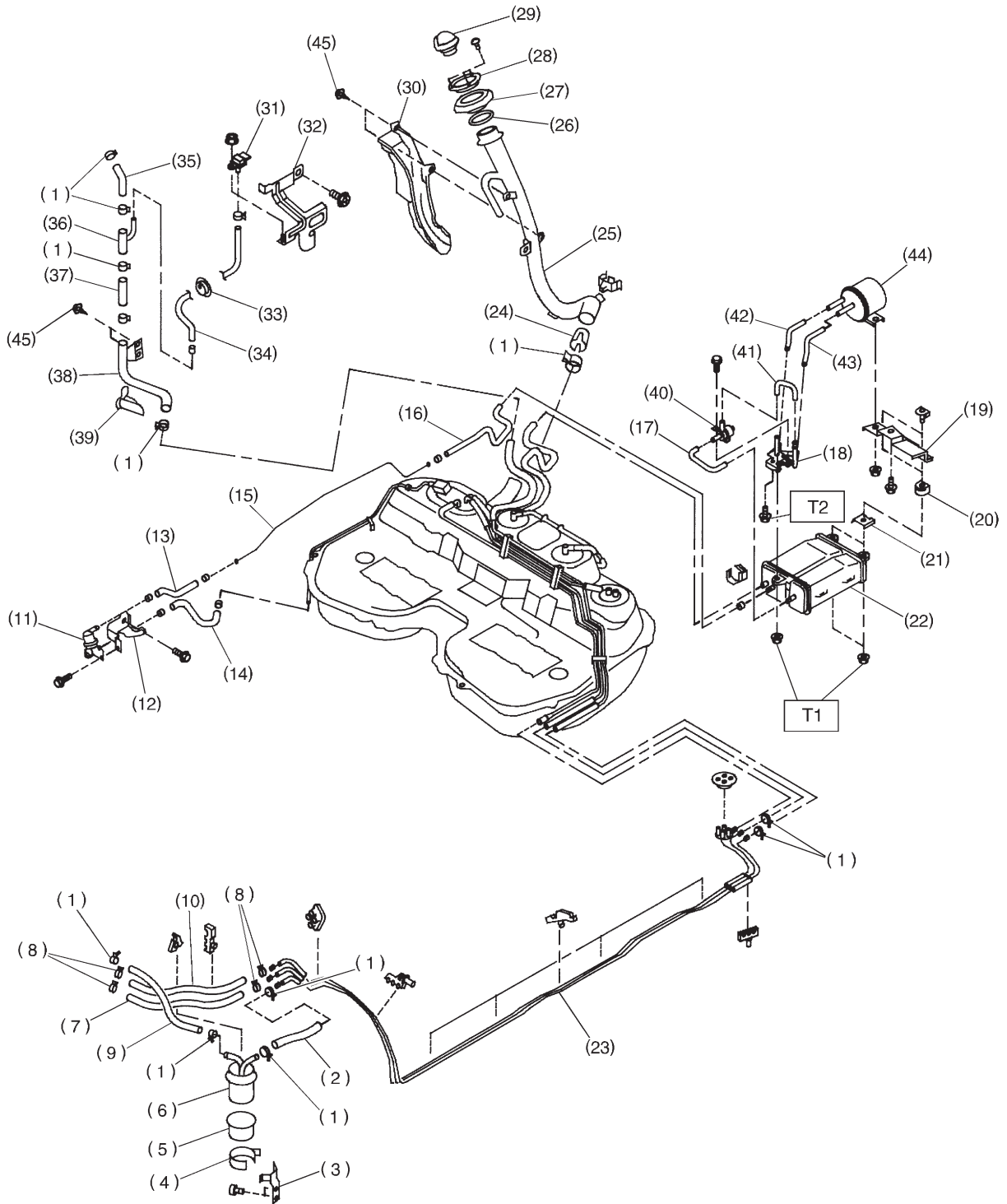


2. Fuel Line

A: WITHOUT ORVR MODEL



- |                              |   |                                       |
|------------------------------|---|---------------------------------------|
| (1) Clamp                    | (18) Canister holder                      | (34) Fuel tank pressure sensor hose   |
| (2) Fuel delivery hose A     | (19) Canister upper bracket               | (35) Air ventilator hose A            |
| (3) Fuel filter bracket      | (20) Cushion rubber                       | (36) Air ventilator pipe A            |
| (4) Fuel filter holder       | (21) Canister lower bracket               | (37) Air ventilator hose B            |
| (5) Fuel filter cup          | (22) Canister                             | (38) Air ventilator pipe B            |
| (6) Fuel filter              | (23) Fuel pipe ASSY                       | (39) Air ventilator pipe protector    |
| (7) Evaporation hose         | (24) Fuel filler valve                    | (40) Vent control solenoid valve      |
| (8) Clip                     | (25) Fuel filler pipe                     | (41) Vent control solenoid valve hose |
| (9) Fuel delivery hose B     | (26) Packing                              | (42) Air filter hose A                |
| (10) Fuel return hose        | (27) Ring A                               | (43) Air filter hose B                |
| (11) Roll over valve         | (28) Ring B                               | (44) Air filter                       |
| (12) Roll over valve bracket | (29) Fuel filler cap                      | (45) Tapping screw                    |
| (13) Evaporation hose H      | (30) Fuel filler pipe protector           |                                       |
| (14) Evaporation hose I      | (31) Fuel tank pressure sensor            |                                       |
| (15) Evaporation pipe B      | (32) Fuel tank pressure sensor<br>bracket |                                       |
| (16) Canister hose A         | (33) Grommet                              |                                       |
| (17) Canister hose B         |   |                                       |

---

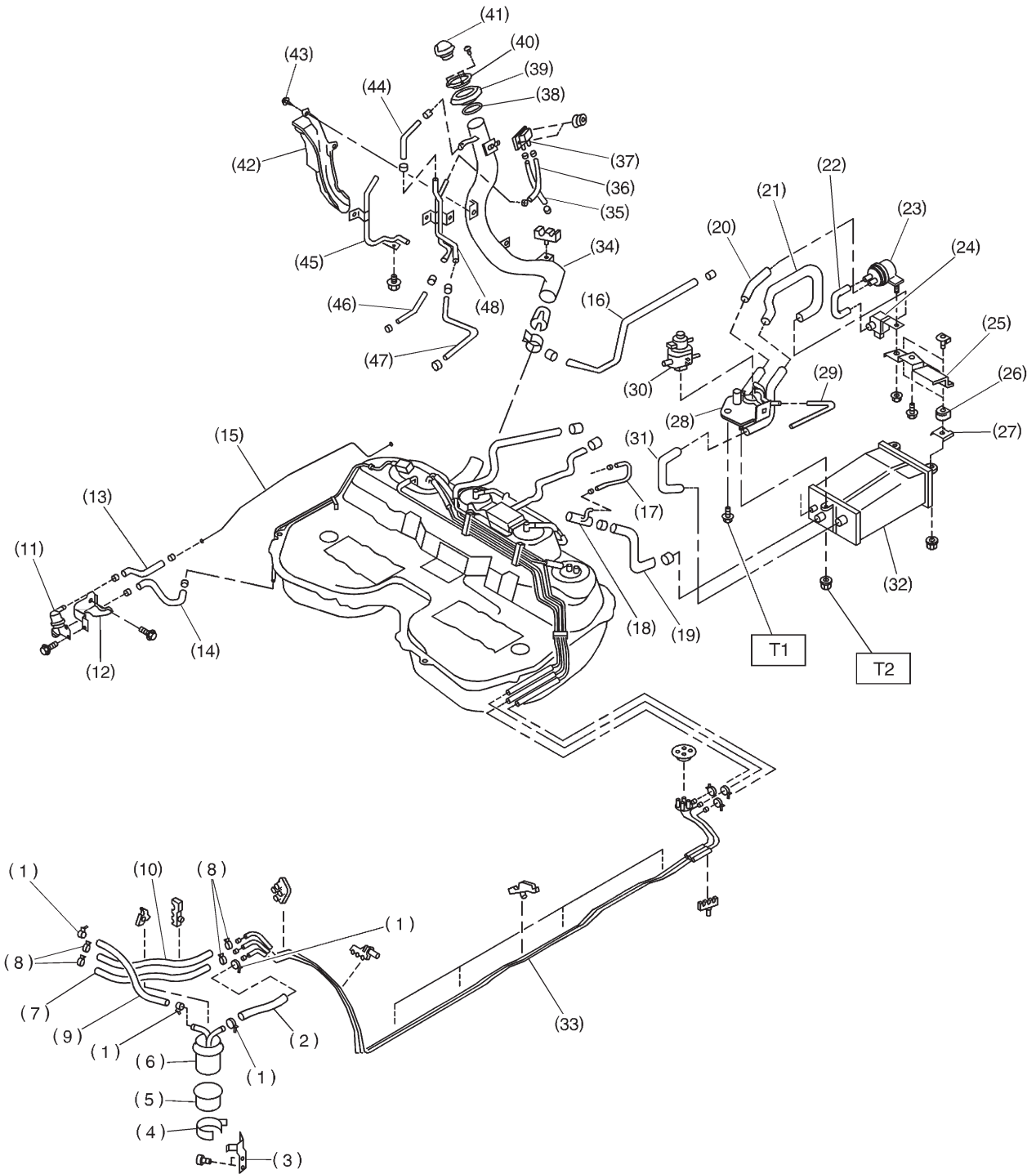
**Tightening torque: N·m (kg·m, ft·lb)**

**T1: 23±7 (2.3±0.7, 17±5.1)**

**T2: 25±7 (2.5±0.7, 18±5.1)**

---

B: WITH ORVR MODEL



S2M0878A

- |                              |                                      |                                 |
|------------------------------|--------------------------------------|---------------------------------|
| (1) Clamp                    | (19) Canister hose A                 | (37) Shut valve                 |
| (2) Fuel delivery hose A     | (20) Air filter hose A               | (38) Packing                    |
| (3) Fuel filter bracket      | (21) Drain valve hose                | (39) Ring A                     |
| (4) Fuel filter holder       | (22) Air filter hose B               | (40) Ring B                     |
| (5) Fuel filter cup          | (23) Air filter                      | (41) Fuel filler cap            |
| (6) Fuel filter              | (24) Drain valve                     | (42) Fuel filler pipe protector |
| (7) Evaporation hose         | (25) Canister upper bracket          | (43) Tapping screw              |
| (8) Clip                     | (26) Cushion rubber                  | (44) Evaporation hose O         |
| (9) Fuel delivery hose B     | (27) Canister lower bracket          | (45) Joint pipe                 |
| (10) Fuel return hose        | (28) Front canister bracket          | (46) Evaporation hose P         |
| (11) Roll over valve         | (29) Evaporation hose L              | (47) Evaporation hose Q         |
| (12) Roll over valve bracket | (30) Pressure control solenoid valve | (48) Evaporation pipe           |
| (13) Evaporation hose H      | (31) Canister hose B                 |                                 |
| (14) Evaporation hose I      | (32) Canister                        |                                 |
| (15) Evaporation pipe B      | (33) Fuel pipe ASSY                  |                                 |
| (16) Evaporation hose J      | (34) Fuel filler pipe                |                                 |
| (17) Evaporation hose K      | (35) Evaporation hose M              |                                 |
| (18) Joint pipe              | (36) Evaporation hose N              |                                 |

---

**Tightening torque: N·m (kg·m, ft·lb)**

**T1: 17.6±5 (1.8±0.5, 13.0±3.6)**

**T2: 23±7 (2.3±0.7, 16.6±5.1)**

---