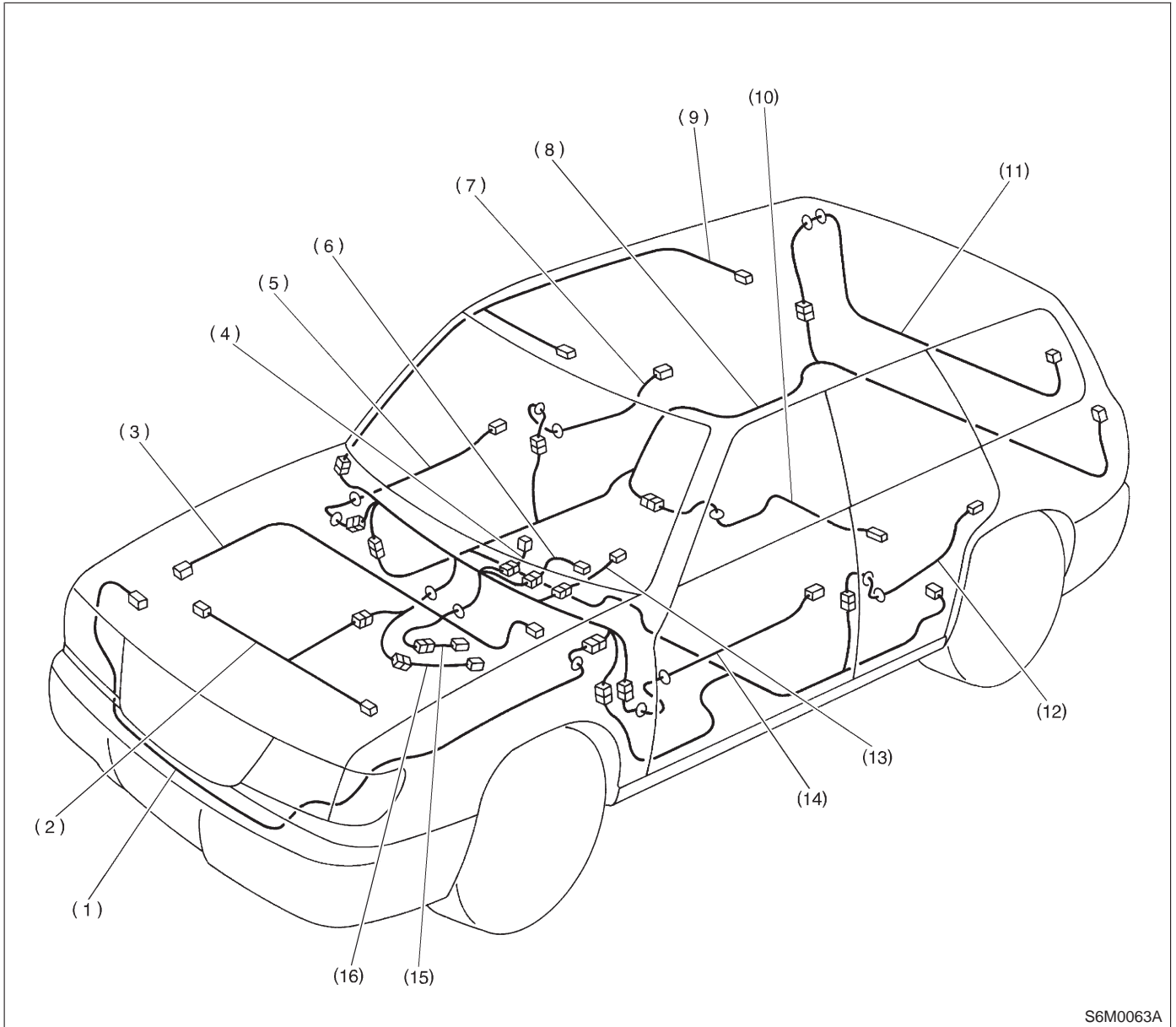


6. Electrical Wiring Harness and Ground Point

A: OVERALL LOCATION



S6M0063A

- | | | |
|-------------------------------------|-------------------------|------------------------------|
| (1) Front wiring harness | (7) Rear door cord RH | (13) Combination switch cord |
| (2) Engine wiring harness | (8) Rear wiring harness | (14) Front door cord LH |
| (3) Bulkhead wiring harness | (9) Roof cord | (15) Transmission cord |
| (4) Instrument panel center harness | (10) Fuel tank cord | (16) Rear oxygen sensor cord |
| (5) Front door cord RH | (11) Rear gate cord | |
| (6) Instrument panel meter harness | (12) Rear door cord LH | |

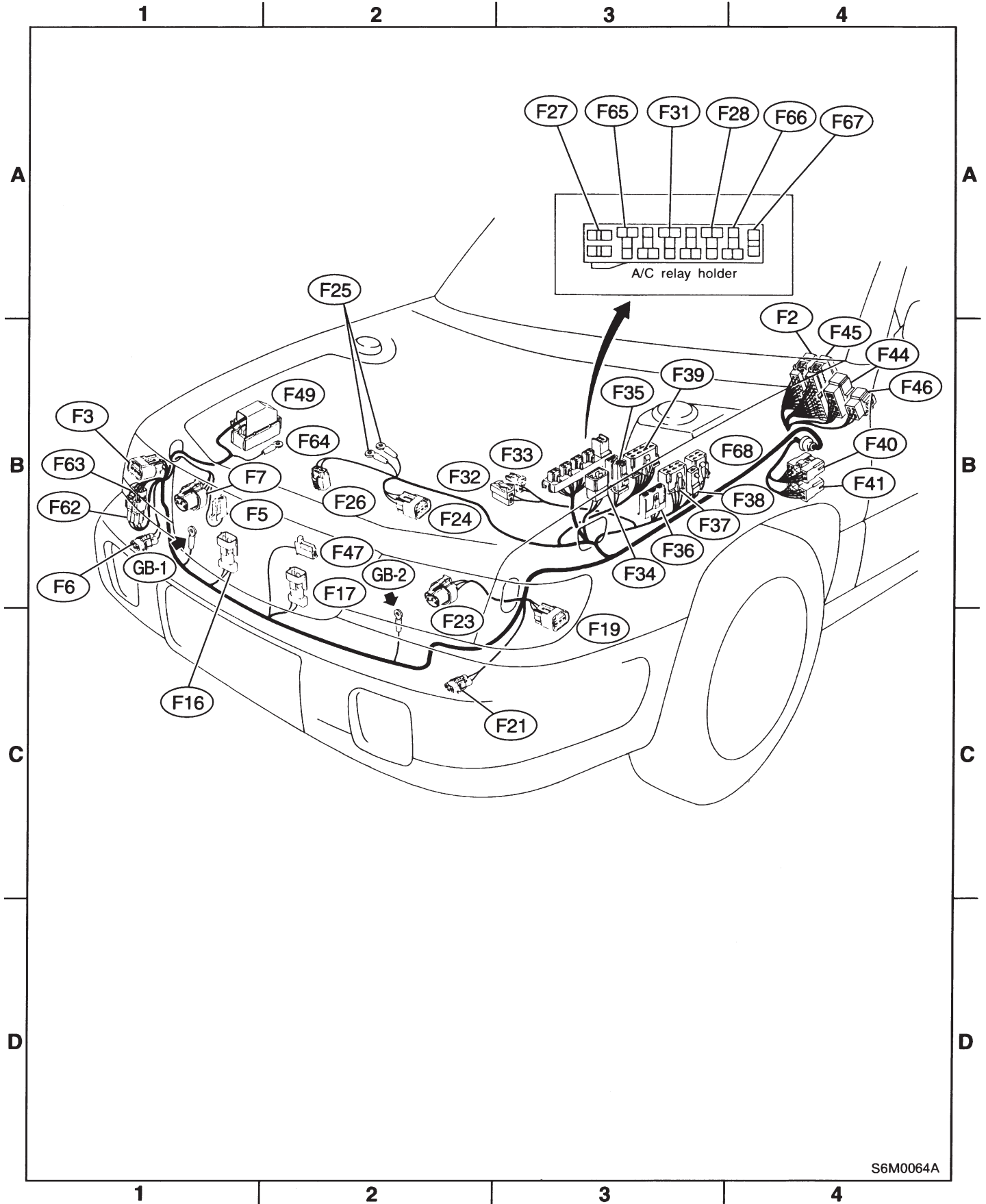
B: FRONT WIRING HARNESS

1. LIST OF ITEMS

Connector				Connecting to	
No.	Pole	Color	Area	No.	Name
F2	24	Black	B-4	B100	Bulkhead wiring harness (ABS)
F3	3	Gray	B-1		Front turn signal light & clearance light RH
F5	1	★	B-1		Horn
F6	2	Black	B-1		Front fog light RH
F7	3	★	B-1		Headlight RH
F16	2	Black	B-1		Sub fan motor
F17	2	Black	B-2	B-2	Radiator main fan motor
F19	3	Gray	C-3		Front turn signal light & clearance light LH
F21	2	Black	C-2		Front fog light LH
F23	3	★	B-2		Headlight LH
F24	3	Gray	B-2		A/C compressor
F25	1 × 2	★	B-2		Generator
F26	2	Gray	B-2		
F27	4	★	B-3		A/C fuse (Relay holder)
F28	4	★	B-3		A/C sub fan relay (Relay holder)
F31	4	★	B-3		A/C relay (Relay holder)
F32	2	Green	B-3		Front washer motor
F33	2	★	B-3		Rear washer motor
F34	4	★	B-3		SBF holder
F35	2	Black	B-3		M/B
F36	3	★	B-3		
F37	6	Black	B-3		
F38	1	★	B-3		
F39	8	Black	B-3		F/B
F40	9	Brown	B-4		
F41	7	Gray	B-4		Bulkhead wiring harness
F44	8	★	B-4	B61	
F45	24	Blue	B-4	B62	
F46	4	★	B-4	B108	
F47	1	★	B-2		Horn
F49	31	★	B-2		ABS control module
F62	6	★	B-1	F63	Shield joint connector (ABS)
F63	6	★	B-1	F62	
F64	1	★	B-2		ABS motor ground
F65	4	★	B-3		Front fog light relay (Relay holder)
F66	4	★	B-3		Radiator main fan relay (Relay holder)
F67	2	★	B-3		FWD switch (Relay holder)
F68	4	Black	B-3		M/B

★: Non-colored

2. LOCATION



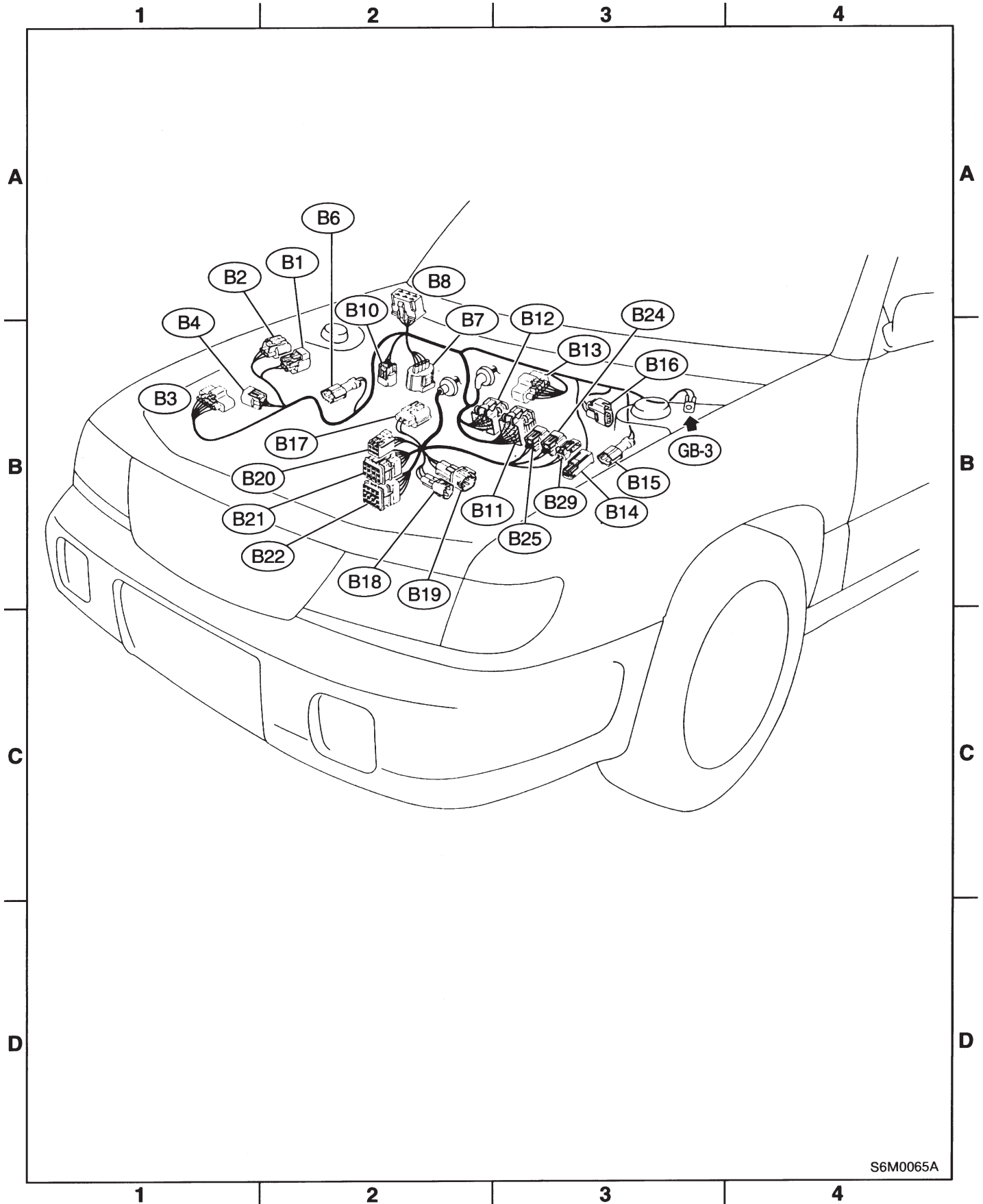
C: BULKHEAD WIRING HARNESS (IN ENGINE ROOM)

1. LIST OF ITEMS

Connector				Connecting to	
No.	Pole	Color	Area	No.	Name
B1	2	★	B-2		Pressure source switching solenoid
B2	3	★	B-2		Pressure sensor
B3	5	★	B-1		Mass air flow sensor
B4	2	Gray	B-1		AT dropping resistor
B6	2	Brown	B-2		ABS front sensor RH
B7	4	Gray	B-2		Cruise control actuator
B8	6	Black	A-2		Front wiper motor
B10	2	Gray	B-2		A/C pressure switch
B11	16	★	B-3	T4	Transmission (AT)
B12	12	★	B-3	T3	
B13	6	★	B-3		Ignitor
B14	1	★	B-3		Starter (Magnet)
B15	2	Brown	B-3		ABS front sensor LH
B16	2	Gray	B-3		Brake fluid level switch
B17	2	★	B-2		Vehicle speed sensor 2
B18	3	★	B-2		Front oxygen sensor
B19	4	★	B-2	T5	Rear oxygen sensor cord
B20	6	★	B-2	E1	Engine wiring harness
B21	12	★	B-2	E2	Engine wiring harness
B22	16	★	B-2	E3	Engine wiring harness
B24	2	Gray	B-3	T1	Back-up light switch (MT)
B25	2	Brown	B-3	T2	Neutral position switch (MT)
B29	2	Gray	B-3	T8	Lo (AWD) indicator light switch

★: Non-colored

2. LOCATION



S6M0065A

D: BULKHEAD WIRING HARNESS (IN COMPARTMENT)

1. LIST OF ITEMS

Connector				Connecting to	
No.	Pole	Color	Area	No.	Name
B30	13	★	C-1	D1	Front door cord LH
B31	7	Yellow	C-1	AB1	SRS (Airbag) harness
B32	3	Black	B-1		Turn & hazard module
B36	8	★	B-2	i1	Instrument panel meter harness
B37	24	Blue	B-2	i2	
B38	16	★	B-3	i3	Instrument panel center harness
B40	16	★	C-2		OBD-II service connector
B41	2	★	B-1		Power window circuit breaker
B42	4	Blue	C-1		Power window relay
B43	6	Black	B-4		Illumination control module
B46	4	Green	C-1		Fuel pump relay
B47	6	Brown	C-1		Main relay
B50	4	★	B-1		Blower relay
B51	8	Blue	C-1		F/B
B52	12	Blue	C-1		
B53	6	★	C-2		Shield joint connector (AT)
B54	12	Black	C-2		Transmission control module
B55	16	Black	C-2		
B56	20	Black	C-2		
B57	12	★	B-1		Shift lock control module
B61	8	★	B-1	F44	Front wiring harness
B62	24	Blue	B-1	F45	
B64	2	Black	B-2		Stop light switch
B65	4	Black	B-2		Stop & brake switch (With cruise control)
B68	5	Black	C-2		Cruise control sub switch
B69	4	★	C-2		Combination switch
B70	18	★	C-2		
B71	17	★	C-2		
B72	4	Blue	C-2		Ignition switch
B73	2	★	C-2		Key lock solenoid (AT)
B74	2	Black	C-2		Key warning switch
B75	2	Green	B-2	B76	Test mode connector
B76	2	Green	B-2	B75	
B79	14	Gray	C-3		Check connector
B81	1 × 2	★	B-2		Diagnosis terminal (Ground)
B82	6	Black	B-2		Diagnosis connector
B83	6	★	C-4		Shield joint connector (E/G)
B84	96	Light blue	C-3		Engine control module

Connector				Connecting to	
No.	Pole	Color	Area	No.	Name
B86	4	★	B-3		Blower motor resistor
B87	2	★	B-4		Blower motor
B88	4	Brown	B-3		Evaporator thermostat switch
B90	8	★	B-4	R50	Roof cord
B92	6	★	C-1		Door lock timer
B94	20	★	C-1		Cruise control module
B97	10	Blue	C-4	R1	Rear wiring harness
B98	12	Black	C-4	R2	
B99	20	★	C-4	R3	
B100	24	Black	B-1	F2	Front wiring harness (With ABS model)
B101	13	★	C-4	D11	Front door cord RH
B104	4	Red	C-1		Seat heater/rear accessory power supply relay
B105	4	Blue	B-2		Starter interlock relay (MT)
B106	2	★	B-2		Clutch switch (MT)
B107	2	Blue	B-2		Clutch switch (Cruise control)
B108	4	★	B-1	F46	Front wiring harness
B113	9	★	D-1	D50	Front door cord LH
B116	4	Black	C-3		Select lever illumination light (AT)
B117	4	★	C-3		Parking position switch & shift lock solenoid (AT)
B118	2	★	C-3		CD player illumination light
B119	1	★	C-3		Front accessory power supply (Power)
B120	14	★	C-3		Radio
B121	1	★	C-3		Audio ground
B123	12	★	C-1	R48	Rear wiring harness (ABS)
B124	3	★	C-4	D53	Front door cord RH
B125	1	Green	C-4	B126	Test mode connector
B126	1	Green	C-4	B125	
B152	7	★	C-1		F/B
B157	4	Red	C-1		Ignition relay
B158	12	★	C-1		F/B
B159	10	Gray	C-1		F/B
B160	6	Gray	C-1		Front fog light switch
B161	6	Brown	C-1		Cruise control main switch
B162	8	★	C-2	B163	Combination switch cord

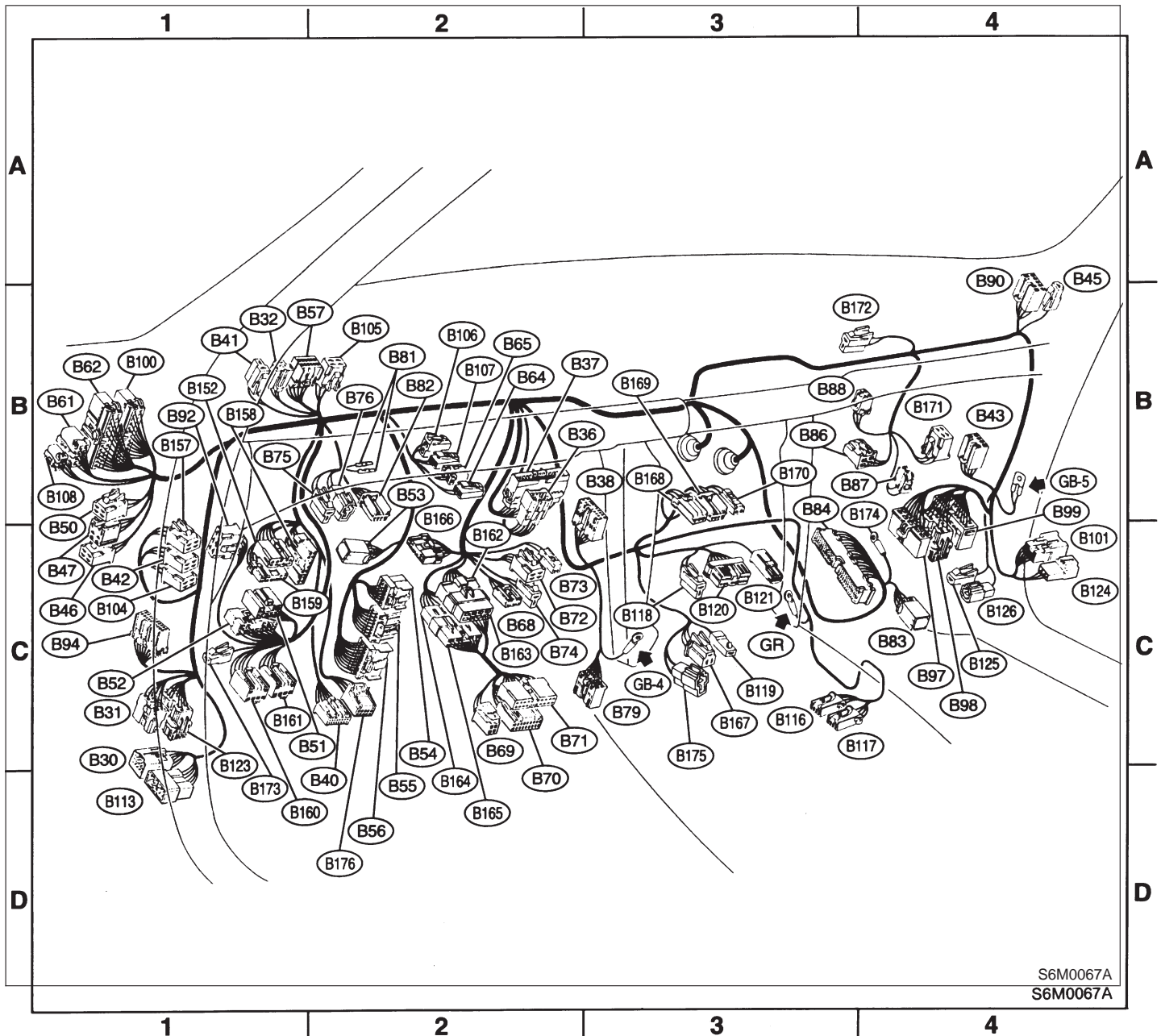
6. Electrical Wiring Harness and Ground Point

Connector				Connecting to	
No.	Pole	Color	Area	No.	Name
B163	8	★	C-2	B162	Bulkhead wiring harness
B164	18	★	C-2	B165	Combination switch cord
B165	18	★	C-2	B164	Bulkhead wiring harness
B166	10	★	C-2		Key warning module
B167	3	★	C-3		Front accessory power supply (Ground)
B168	3	★	B-3		A/C switch
B169	6	★	B-3		Blower fan switch
B170	2	★	B-3		Mode control panel illumination light

Connector				Connecting to	
No.	Pole	Color	Area	No.	Name
B171	4	★	B-4		Mirror heater relay
B172	2	★	B-3		Mirror heater condenser
B173	1	★	C-1		IG power supply connector
B174	1	★	C-4		Engine control ground
B175	2	★	C-3		Ash tray illumination light
B176	10	★	C-2		Keyless entry connector (OP)

★: Non-colored

2. LOCATION



S6M0067A
S6M0067A

E: ENGINE WIRING HARNESS AND TRANSMISSION CORD

1. LIST OF ITEMS

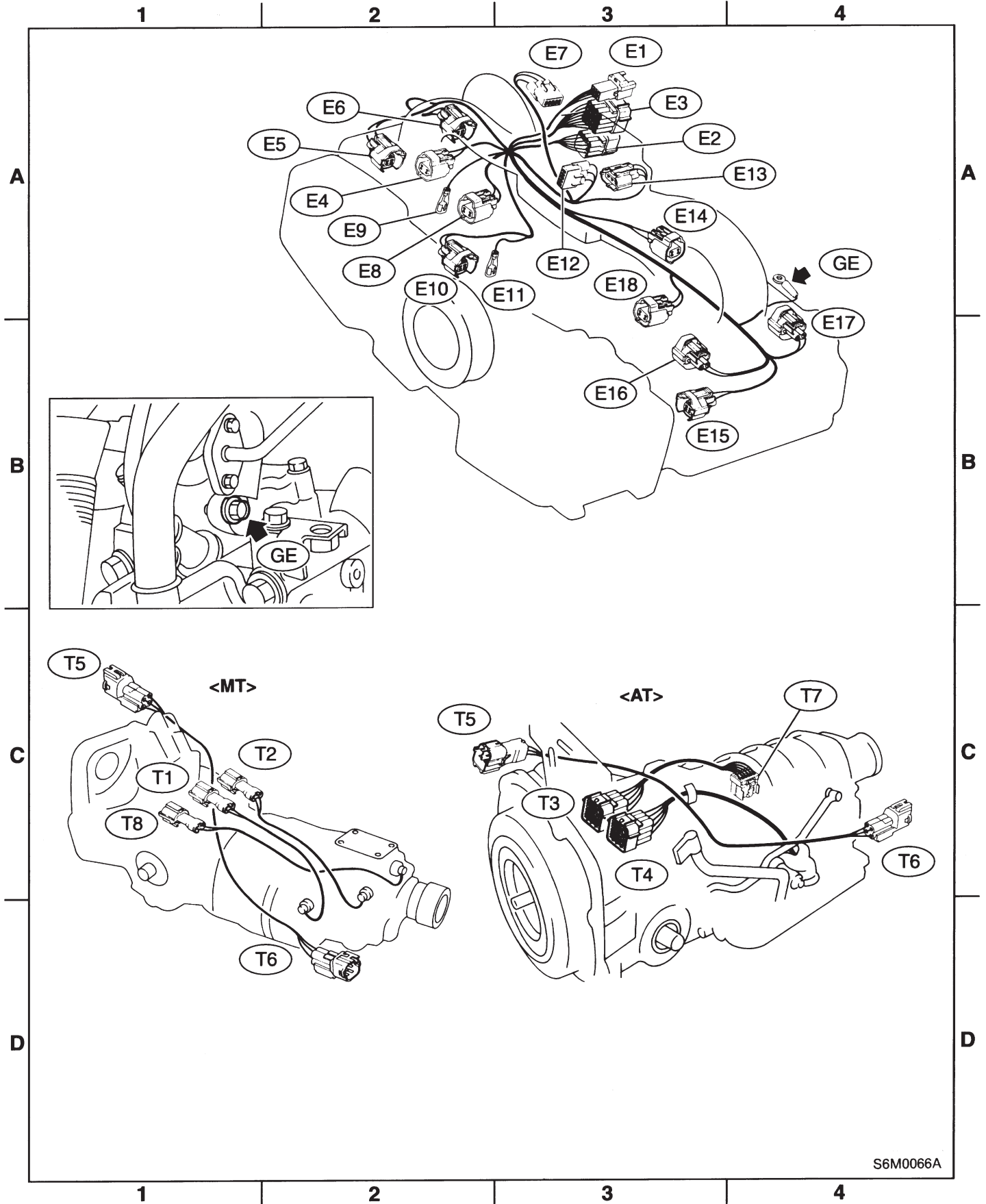
Connector				Connecting to	
No.	Pole	Color	Area	No.	Name
E1	6	★	A-3	B20	Bulkhead wiring harness
E2	12	★	A-3	B21	
E3	16	★	A-3	B22	
E4	2	Blue	A-2		Purge control solenoid valve
E5	2	Light gray	A-2		Injector #1
E6	2	Dark gray	A-2		Injector #3
E7	3	Gray	A-3		Idle air control solenoid valve
E8	2	Brown	A-2		Engine coolant temperature sensor
E9	1	★	A-2		Thermometer
E10	2	Gray	A-2		Crankshaft position sensor
E11	1	★	A-3		Oil pressure switch
E12	3	Gray	A-3		Ignition coil
E13	3	Brown	A-3		Throttle position sensor
E14	2	Gray	A-3		Knock sensor
E15	2	Dark gray	B-3		Camshaft position sensor
E16	2	Light gray	B-3		Injector #2
E17	2	Dark gray	B-4		Injector #4
E18	2	Brown	A-3		EGR solenoid (AT)

★: Non-colored

Connector				Connecting to	
No.	Pole	Color	Area	No.	Name
T1	2	Gray	C-1	B24	Bulkhead wiring harness (MT)
T2	2	Brown	C-1	B25	
T3	12	★	C-3	B12	Bulkhead wiring harness (AT)
T4	16	★	C-3	B11	
T5	4	★	C-1·C-3	B19	Bulkhead wiring harness
T6	4	Gray	D-2·C-4		Rear oxygen sensor
T7	12	★	C-4		Inhibitor switch (AT)
T8	2	Gray	C-1	B29	Bulkhead wiring harness (MT)

★: Non-colored

2. LOCATION

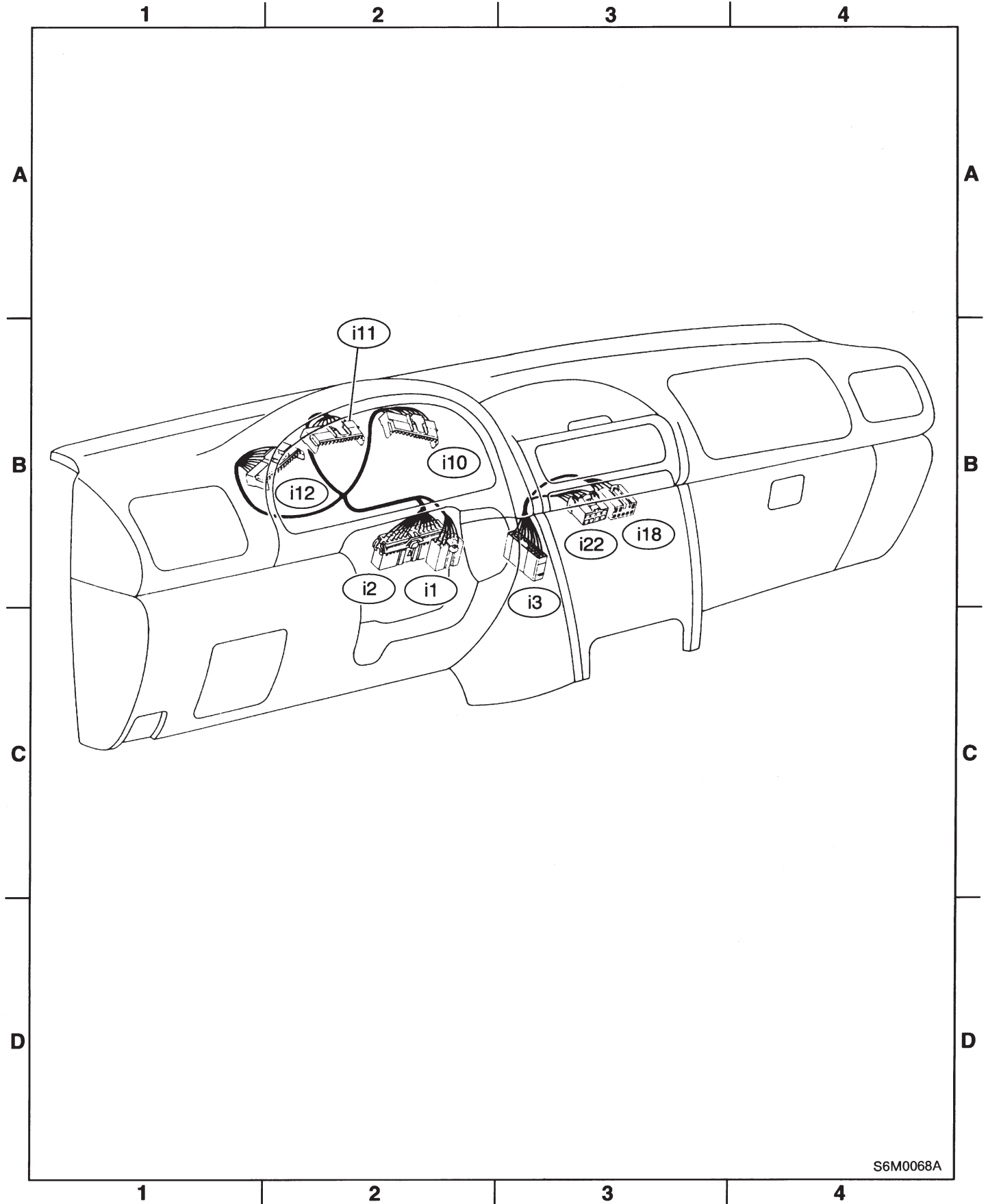


F: INSTRUMENT PANEL WIRING HARNESS**1. LIST OF ITEMS**

Connector				Connecting to	
No.	Pole	Color	Area	No.	Name
i1	8	★	B-2	B36	Bulkhead wiring harness
i2	24	Blue	B-2	B37	
i3	16	★	B-3	B38	
i10	13	★	B-2		Combination meter
i11	10	★	B-2		
i12	13	★	B-2		
i18	8	★	B-3		Rear defogger switch
i22	8	★	B-3		Hazard switch

★: Non-colored

2. LOCATION



S6M0068A

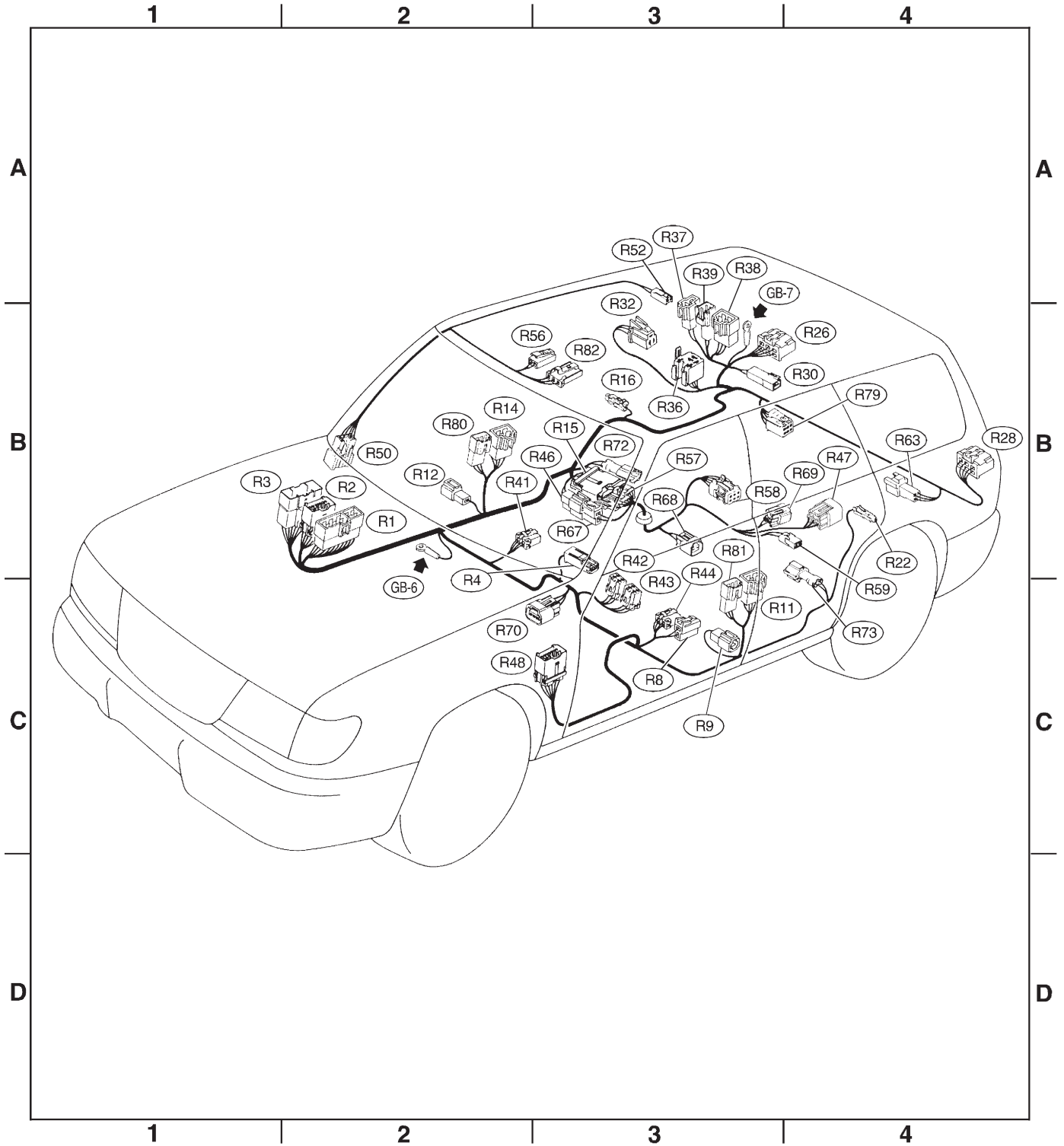
G: REAR WIRING HARNESS

1. LIST OF ITEMS

Connector				Connecting to	
No.	Pole	Color	Area	No.	Name
R1	10	Blue	B-2	B97	Bulkhead wiring harness
R2	12	Black	B-2	B98	
R3	20	★	B-2	B99	
R4	1	Black	B-3		Parking brake switch
R8	2	★	B-3		Seat belt switch
R9	1	★	B-3		Front door switch LH
R11	4	★	B-3	D21	Rear door cord LH
R12	1	★	B-2		Front door switch RH
R14	4	★	B-2	D27	Rear door cord RH
R15	12	★	B-3	R57	Fuel tank cord
R16	1	Brown	B-3		Rear door switch RH
R22	1	Brown	B-4		Rear door switch LH
R26	6	★	A-3		Rear combination light RH
R28	6	★	B-4		Rear combination light LH
R30	2	★	A-3		Diode (Luggage room light)
R32	3	★	A-3		Rear accessory power supply
R36	5	Black	A-3		Rear wiper relay
R37	2	★	A-3	D33	Rear gate cord
R38	4	★	A-3	D34	
R39	4	★	A-3	D35	
R41	4	Blue	B-2		Seat heater RH
R42	4	★	B-3		Seat heater switch RH
R43	4	Blue	B-3		Seat heater switch LH
R44	3	Blue	B-3		Seat heater LH
R46	2	★	B-3	R67	Fuel tank cord
R47	3	★	B-4		Fuel tank pressure sensor
R48	12	★	B-3	B123	Bulkhead wiring harness (ABS)
R50	8	★	B-2	B90	Bulkhead wiring harness
R52	2	★	A-3		Room light
R56	2	★	A-2		Spot light
R57	8	★	B-3	R15	Rear wiring harness
R58	6	★	B-3		Fuel gauge module & fuel pump assembly
R59	2	★	B-3		Fuel gauge sub module
R63	4	★	B-4		License plate light
R67	2	★	B-3	R46	Rear wiring harness
R68	2	★	B-3		Pressure control solenoid valve
R69	2	★	B-3		Drain valve
R70	3	★	B-2		ABS G sensor
R72	2	★	B-3		Rear ABS sensor RH
R73	2	★	B-4		Rear ABS sensor LH
R79	6	★	B-3		Trailer connector
R80	3	★	B-2	D64	Rear door cord RH
R81	3	★	B-3	D63	Rear door cord LH
R82	4	★	A-3		Clock

★: Non-colored

2. LOCATION



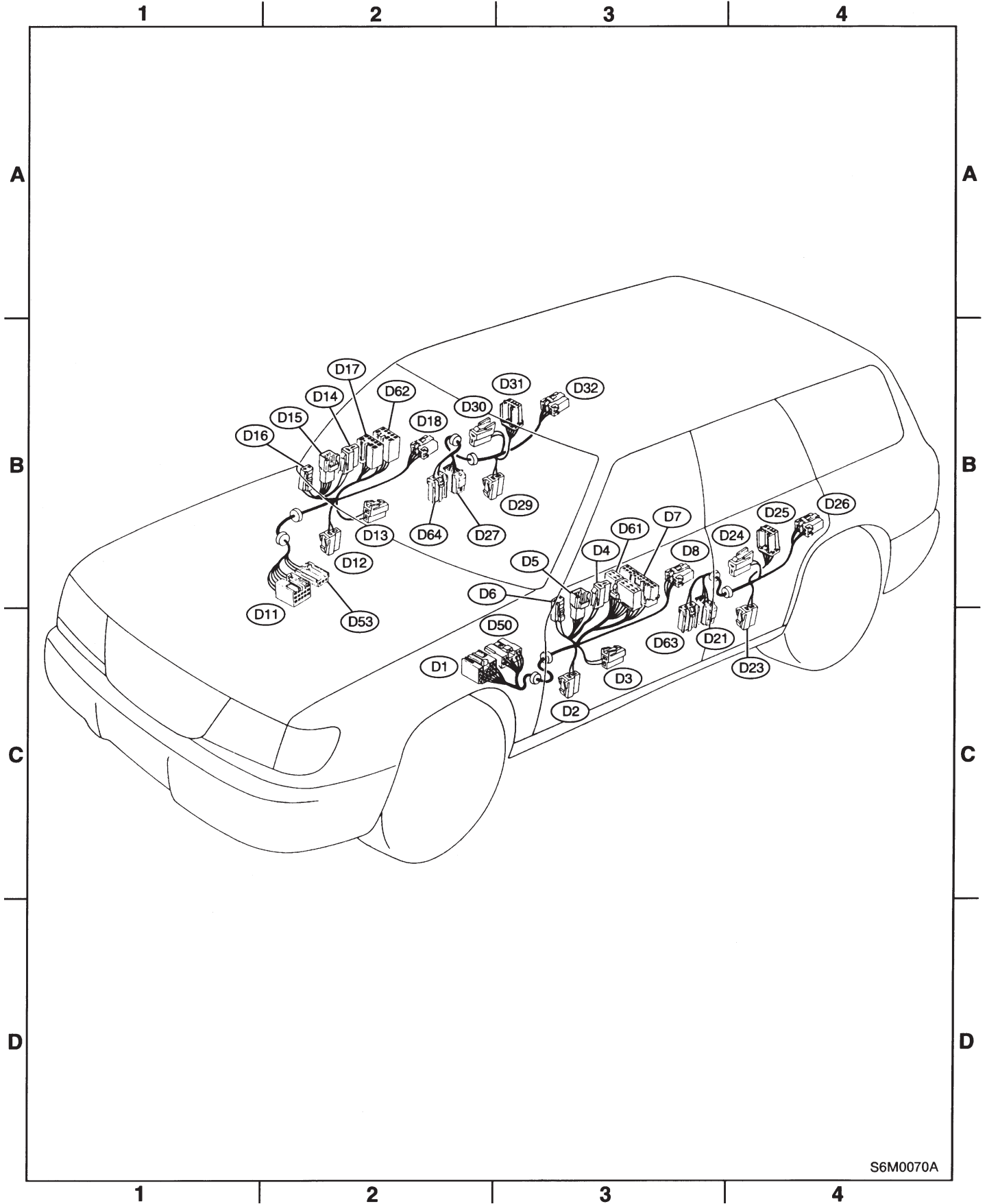
H: DOOR CORD

1. LIST OF ITEMS

Connector				Connecting to	
No.	Pole	Color	Area	No.	Name
D1	13	★	C-2	B30	Bulkhead wiring harness
D2	2	★	C-3		Front door speaker LH
D3	2	Blue	C-3		Front power window motor LH
D4	2	Black	B-3		Front door tweeter LH
D5	6	★	B-3		Remote control rearview mirror LH
D6	2	★	B-3		Mirror heater LH
D7	16	★	B-3		Power window main switch
D8	4	★	B-3		Front door lock actuator LH
D11	13	★	B-2	B101	Bulkhead wiring harness
D12	2	★	B-2		Front door speaker RH
D13	2	Blue	B-2		Front power window motor RH
D14	2	Black	B-2		Front door tweeter RH
D15	6	★	B-2		Remote control rearview mirror RH
D16	2	★	B-2		Mirror heater RH
D17	8	★	B-2		Front power window sub switch RH
D18	4	★	B-2		Front door lock actuator RH
D21	4	★	C-3	R11	Rear wiring harness
D23	2	★	C-4		Rear door speaker LH
D24	2	Blue	B-4		Rear power window motor LH
D25	6	★	B-4		Rear power window sub switch LH
D26	4	★	B-4		Rear door lock actuator LH
D27	4	★	B-2	R14	Rear wiring harness
D29	2	★	B-3		Rear door speaker RH
D30	2	Blue	B-2		Rear power window motor RH
D31	6	★	B-3		Rear power window sub switch RH
D32	4	★	B-3		Rear door lock actuator RH
D50	9	★	C-3	B113	Bulkhead wiring harness
D53	3	★	B-2	B124	Bulkhead wiring harness
D61	10	★	B-3		Remote control rearview mirror switch
D62	8	★	B-2		Door lock switch RH
D63	3	★	C-3	R81	Rear wiring harness
D64	3	★	B-2	R80	Rear wiring harness

★: Non-colored

2. LOCATION



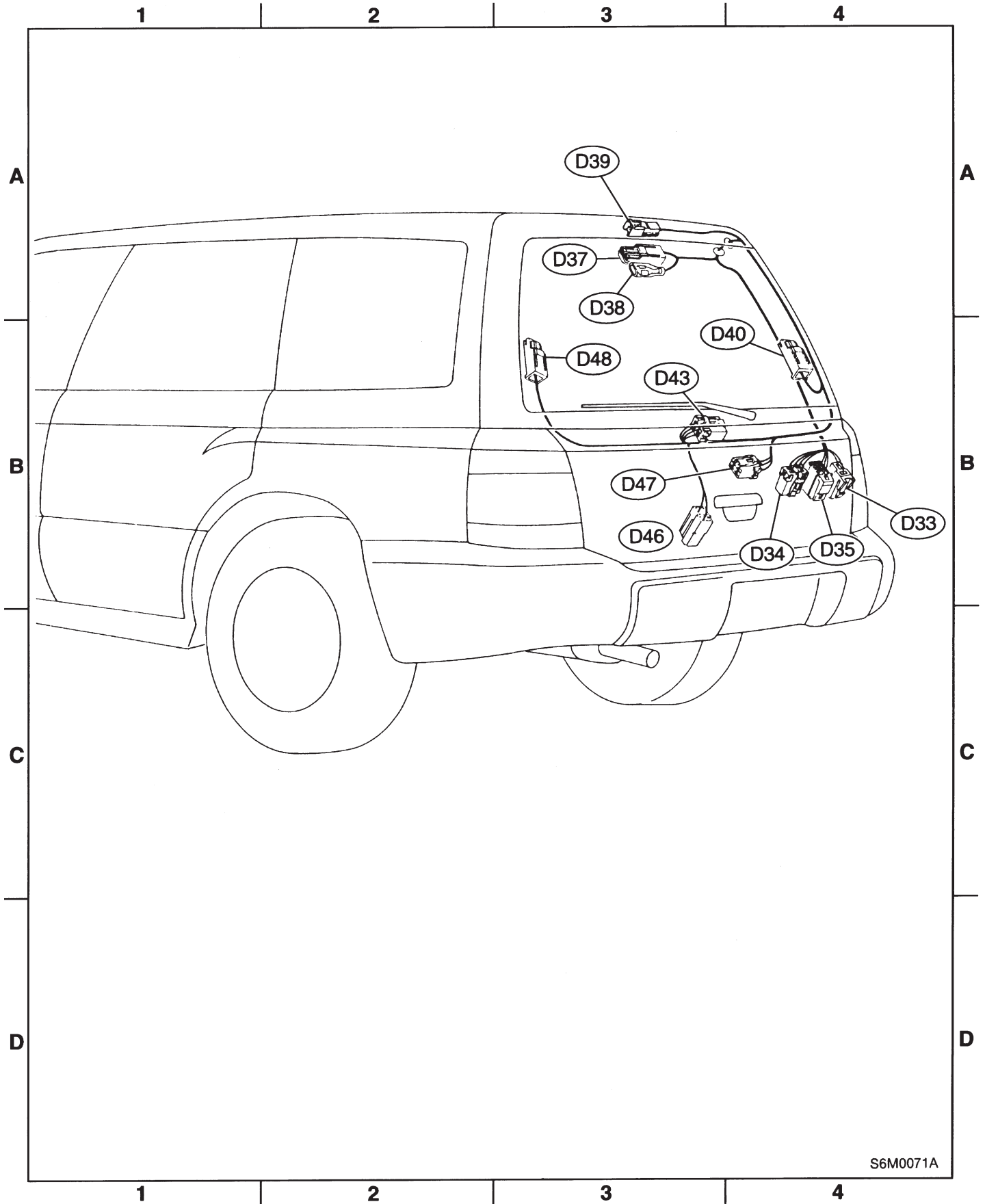
I: REAR GATE CORD

1. LIST OF ITEMS

Connector				Connecting to	
No.	Pole	Color	Area	No.	Name
D33	2	★	B-4	R37	Rear wiring harness
D34	4	★	B-4	R38	
D35	4	★	B-4	R39	
D37	1	★	A-3		Luggage room light (Power)
D38	1	Black	A-3		Luggage room light
D39	2	Black	A-3		High-mount stop light
D40	1	Black	B-4		Rear defogger (Power)
D43	4	★	B-3		Rear wiper motor
D46	2	Black	B-3		Rear gate latch switch
D47	4	★	B-4		Rear gate lock actuator
D48	1	Black	B-3		Rear defogger (Ground)

★: Non-colored

2. LOCATION



S6M0071A