

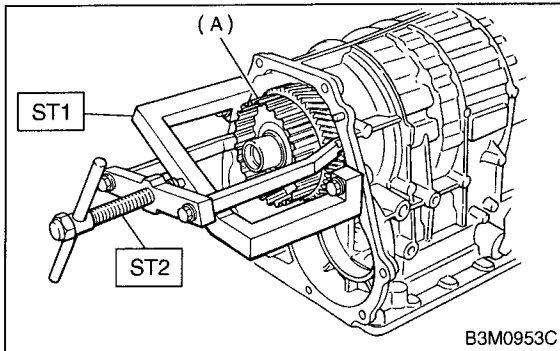
REDUCTION DRIVE GEAR

Automatic Transmission

14. Reduction Drive Gear SS10591

A: REMOVAL SS10591A18

- 1) Remove rear vehicle speed sensor, and separate the transmission case and extension case. <Ref. to AT-36 REMOVAL, Extension Case.>
- 2) Remove the reduction driven gear. <Ref. to AT-48 WITHOUT VTD, REMOVAL, Reduction Driven Gear.>
- 3) Using ST, extract the reduction drive gear.
ST1 499737100 PULLER
ST2 899524100 PULLER SET



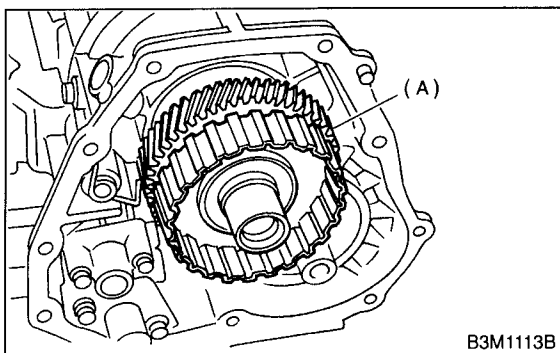
(A) Reduction drive gear

B: INSTALLATION SS10591A11

- 1) Install the reduction drive gear assembly.

NOTE:

Insert it fully into position until the bearing shoulder bottoms.



(A) Reduction drive gear

- 2) Install the reduction driven gear. <Ref. to AT-48 WITHOUT VTD, INSTALLATION, Reduction Drive Gear.>
- 3) Combine the transmission case with the extension case, and install rear vehicle speed sensor. <Ref. to AT-36 INSTALLATION, Extension Case.>

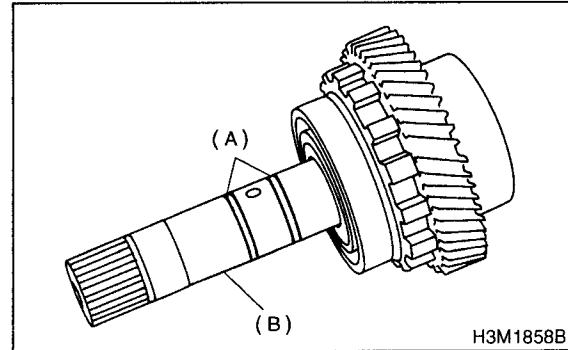
C: DISASSEMBLY SS10591A06

1. FWD SS10591A0601

- 1) Take out the seal rings.

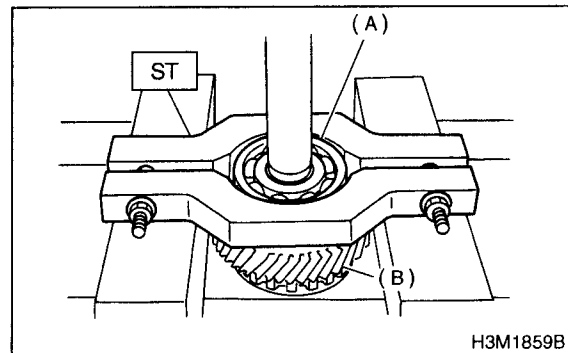
CAUTION:

Be careful not to damage the seal rings.



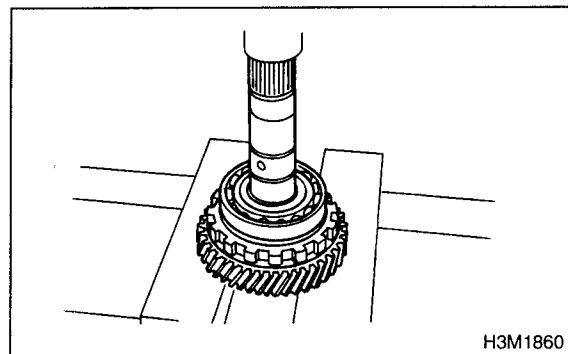
(A) Seal rings
(B) Reduction drive shaft

- 2) Using ST, remove the ball bearing of rear side.
ST 498077600 REMOVER



(A) Ball bearing
(B) Reduction drive gear

- 3) Using a press, remove the reduction drive gear.



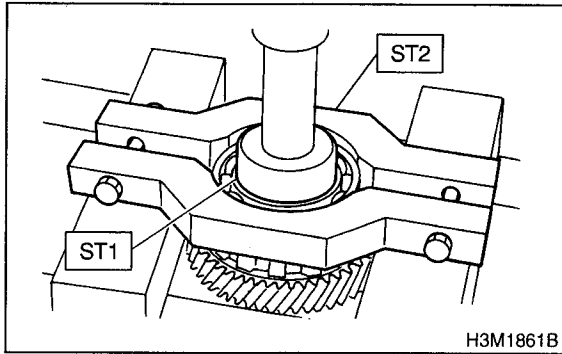
REDUCTION DRIVE GEAR

Automatic Transmission

4) Using a press, remove the ball bearing.

ST1 499577000 ADAPTER

ST2 498077600 REMOVER

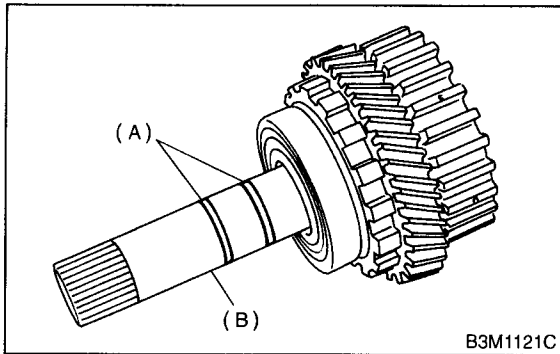


2. AWD SS10591A0602

1) Take out the seal rings.

CAUTION:

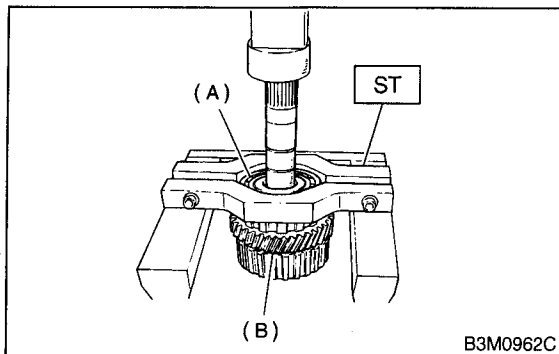
Be careful not to damage the seal rings.



- (A) Seal rings
- (B) Reduction drive shaft

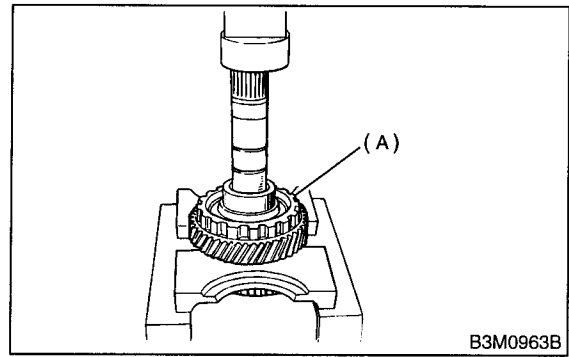
2) Using ST, remove the ball bearing.

ST 498077600 REMOVER



- (A) Ball bearing
- (B) Reduction drive gear

3) Using a press, remove the reduction drive gear.



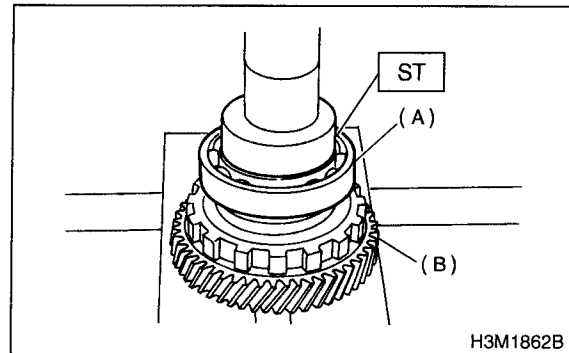
- (A) Reduction drive gear

D: ASSEMBLY SS10591A02

1. FWD SS10591A0201

1) Press-fit the ball bearing to the reduction drive gear.

ST 398437700 ADAPTER

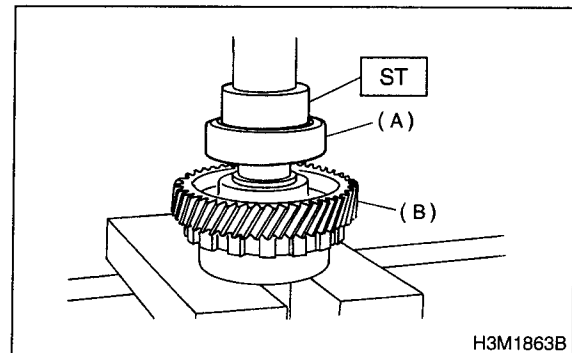


- (A) Ball bearing
- (B) Reduction drive gear

2) Press-fit the reduction drive gear.

3) Press-fit the ball bearing to reduction drive shaft.

ST 398437700 ADAPTER



- (A) Ball bearing
- (B) Reduction drive gear

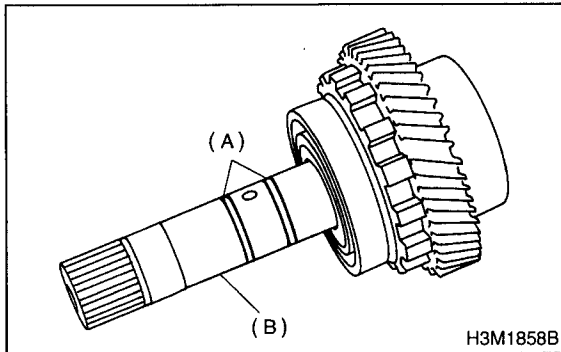
REDUCTION DRIVE GEAR

Automatic Transmission

4) Attach two seal rings.

NOTE:

To make subsequent assembly easier, apply vaseline to the grooves of the shaft and to the exterior of the seal ring.



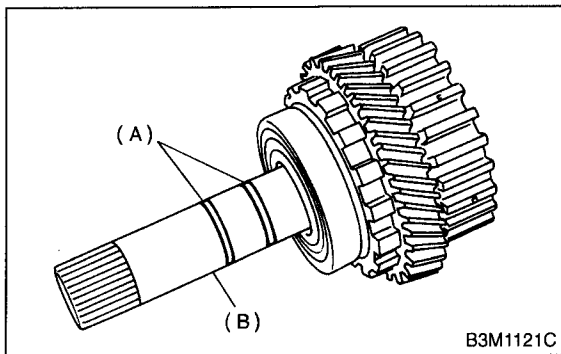
- (A) Seal rings
- (B) Reduction drive shaft

2. AWD SS10591A0202

- 1) Press-fit the reduction drive gear to the shaft.
- 2) Press-fit the ball bearing to the reduction drive gear.
- 3) Attach two seal rings.

NOTE:

To make subsequent assembly easier, apply vaseline to the grooves of the shaft and to the exterior of the seal ring.



- (A) Seal rings
- (B) Reduction drive shaft

E: INSPECTION SS10591A10

- Make sure that each component is free of harmful gouges, cuts, or dust.
- Measure the extension end play and adjust it to within specifications. <Ref. to AT-44 WITHOUT VTD, ADJUSTMENT, Transfer Clutch.>