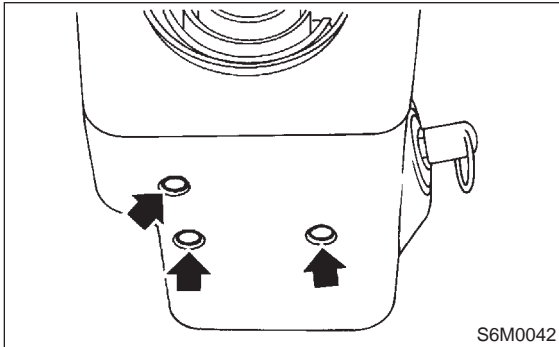


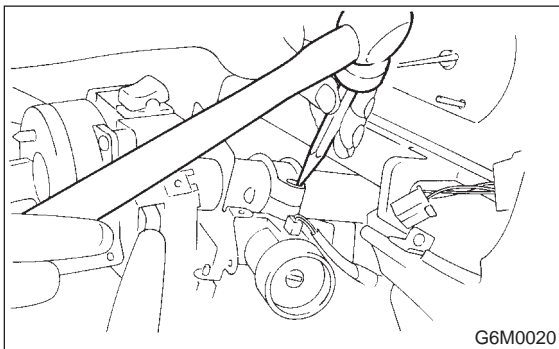
### 3. Ignition Switch

#### A: REMOVAL AND INSTALLATION

- 1) Disconnect ground cable from battery.
- 2) Remove instrument panel lower cover. <Ref. to 5-4 [W1A0].>
- 3) Remove screws, separate upper column cover and lower column cover.



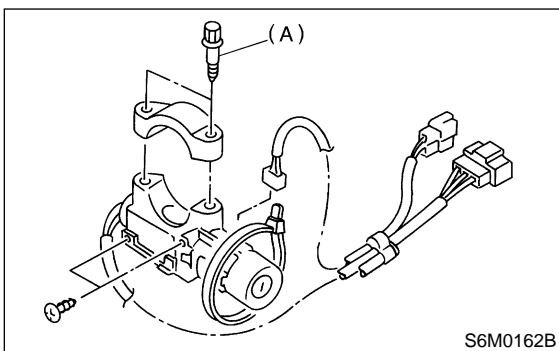
- 4) Remove knee protector.
- 5) Remove meter visor.
- 6) Disconnect ignition switch connector from body harness.
- 7) Using a drift and hammer, hit the torn bolt head to loosen and remove the ignition switch.



- 8) Install in the reverse order of removal.

**NOTE:**

When installing, tighten the connecting bolt (A) until its head twists off.



### 4. Lighting

#### A: ADJUSTMENT

##### 1. HEADLIGHT AIMING

**NOTE:**

As this headlight is the "VISUAL AIMING TYPE", it is possible to adjust aiming only in the vertical direction. It cannot be adjusted in the horizontal direction.

**CAUTION:**

Turn off the light before adjusting headlight aiming. If the light is necessary to check aiming, do not turn on for more than two minutes.

**NOTE:**

Before checking the headlight aiming, be sure of the following:

- The area around the headlight has not sustained any accident, damage or other type of deformation.
- Vehicle is parked on level ground.
- The inflation pressure of tires is correct.
- Vehicle's gas tank is fully charged.
- Bounce the vehicle several times to normalize the suspension.
- Make certain that someone is seated in the driver's seat.

- 1) Place a cloth over the headlight that does not require aiming adjustment.