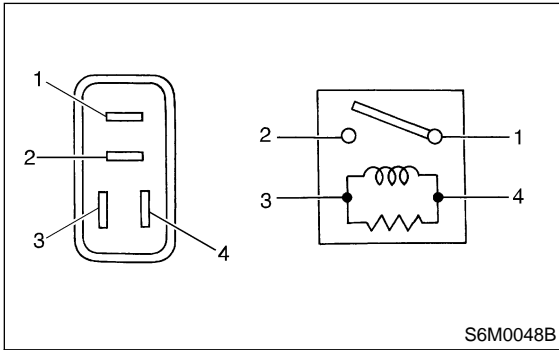


**2. HEADLIGHT RELAY**

Check continuity between terminals when terminal No. 4 is connected to battery and terminal No. 3 is grounded.

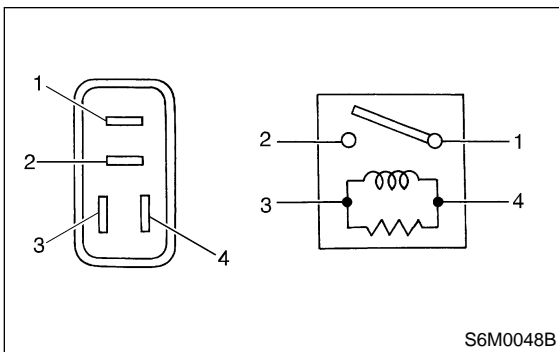
When current flows	Between terminals No. 1 and No. 2	Continuity exists.
When current does not flow	Between terminals No. 1 and No. 2	Continuity does not exist.
	Between terminals No. 3 and No. 4	Continuity exists.



**3. TAIL AND ILLUMINATION RELAY**

Check continuity between terminals (indicated in table below) when terminal No. 4 is connected to battery and terminal No. 3 is grounded.

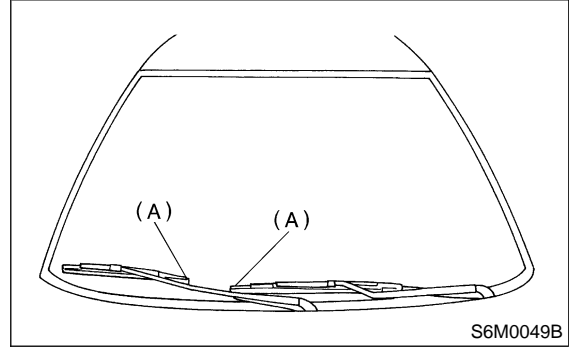
When current flows	Between terminals No. 1 and No. 2	Continuity exists.
When current does not flow	Between terminals No. 1 and No. 2	Continuity does not exist.
	Between terminals No. 3 and No. 4	Continuity exists.



**5. Front Wiper and Washer**

**A: ADJUSTMENT**

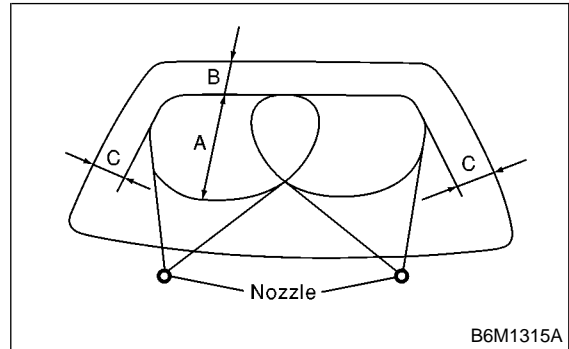
- 1) Turn the wiper switch to OFF position.
- 2) Adjust so that the blades meet the ceramic print point mark (A).



- 3) Adjust washer ejecting area on windshield glass as shown in the figure when vehicle stops.

**Ejecting area:**

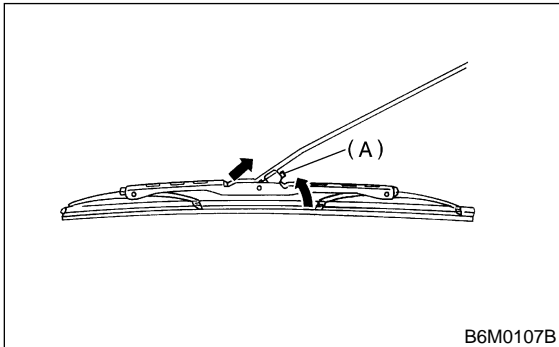
- A: 350 mm (13.78 in)**
- B: 100 mm (3.94 in)**
- C: 60 mm (2.36 in)**



**B: REMOVAL AND INSTALLATION**

**1. BLADE**

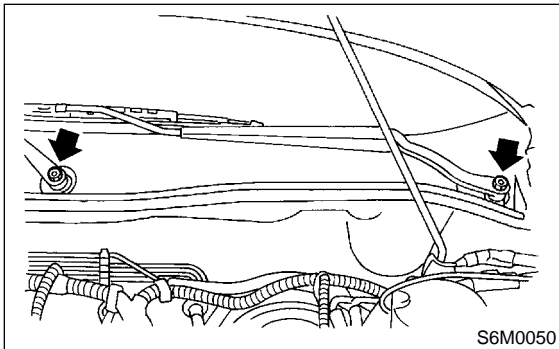
1) Pull out blade following the arrow direction, from arm while pushing up locking clip (A).



2) Install in the reverse order of removal.

**2. WIPER ARM**

1) Open front hood.  
2) Remove cap. Remove the nut which secure wiper arm, and remove wiper arm.



3) Install in the reverse order of removal.

**NOTE:**  
Remove metal sludge from the wiper arm fixture before installing it.

**Tightening torque:**  
 $20 \pm 3 \text{ N-m (} 2.0 \pm 0.3 \text{ kg-m, } 14.5 \pm 2.2 \text{ ft-lb)}$

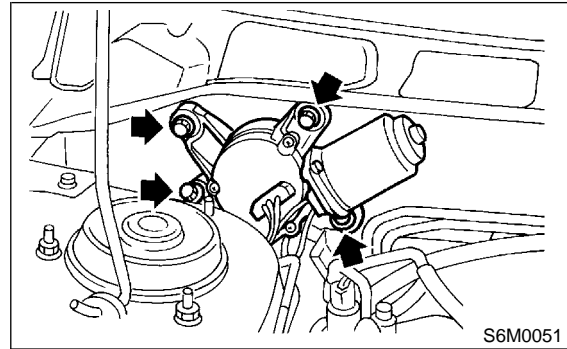
**3. WIPER MOTOR AND LINK**

1) Disconnect ground cable from battery.  
2) Detach cowl panel. <Ref. to 5-1 [W10A0].>

**NOTE:**  
Apply silicone oil or soap water to both sides of cowl net to facilitate removal.

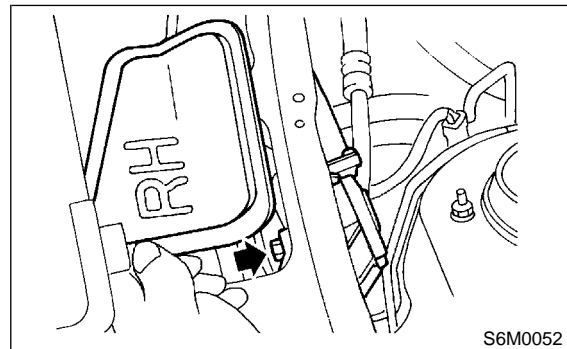
3) Disconnect electric connector, and remove motor attaching bolts.

**Tightening torque:**  
 $5.9 \pm 1.5 \text{ N-m (} 0.6 \pm 0.15 \text{ kg-m, } 4.3 \pm 1.1 \text{ ft-lb)}$



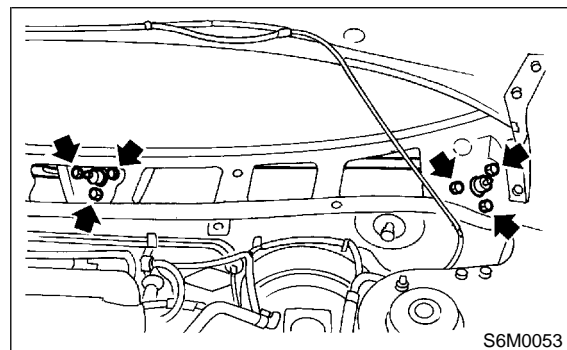
4) Remove cowl cover.  
5) Remove nut securing motor link on the back side of motor.

**Tightening torque:**  
 $15 \pm 3 \text{ N-m (} 1.5 \pm 0.3 \text{ kg-m, } 11 \pm 2.2 \text{ ft-lb)}$

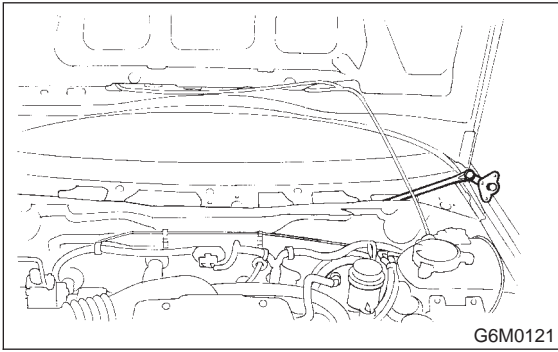


6) Remove bolts which secure sleeve unit.

**Tightening torque:**  
 $5.9 \pm 1.5 \text{ N-m (} 0.6 \pm 0.15 \text{ kg-m, } 4.3 \pm 1.1 \text{ ft-lb)}$



7) Remove wiper link from service hole in front panel.



8) Install in the reverse order of removal.

**C: INSPECTION**

**1. COMBINATION SWITCH (FRONT WIPER)**

Set wiper switch to each position and check continuity between terminals.

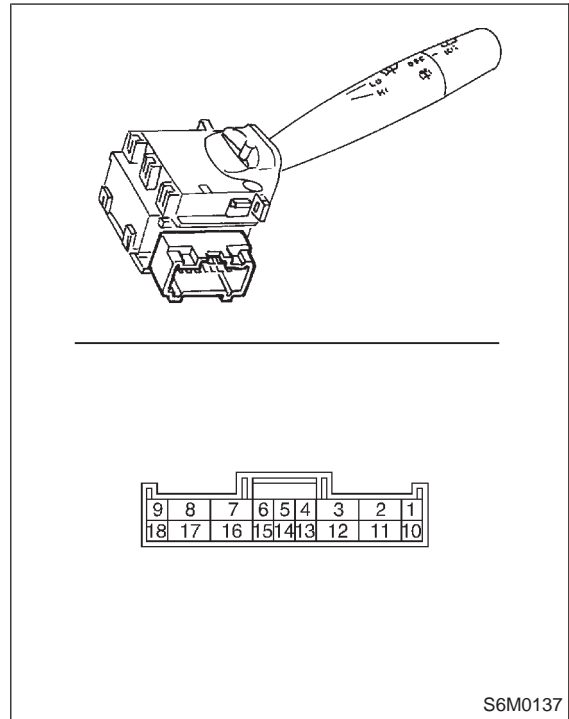
• Wiper switch

Terminal		16	7	17	8	INT1	INT2
Switch position							
OFF	OFF	○—○					
	MIST	×—×	×—×				
INT	OFF	○—○				○—○	
	MIST	×—×	○—○	×—×		○—○	
		×—×		×—×			
LO	OFF		○—○	○—○			
	MIST		○—○	○—○			
HI	OFF			○—○	○—○		
	MIST		○—○	○—○	○—○		

• Washer switch

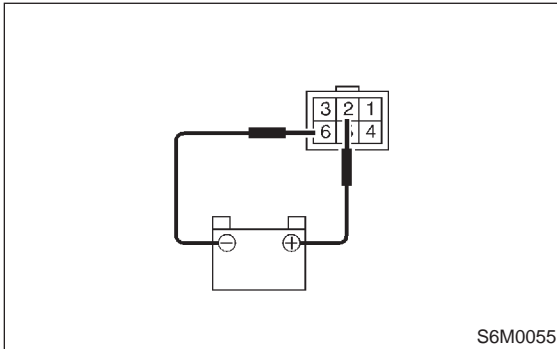
Terminal		11	2
Switch position			
OFF			
ON		○—○	○—○

H6M0501B

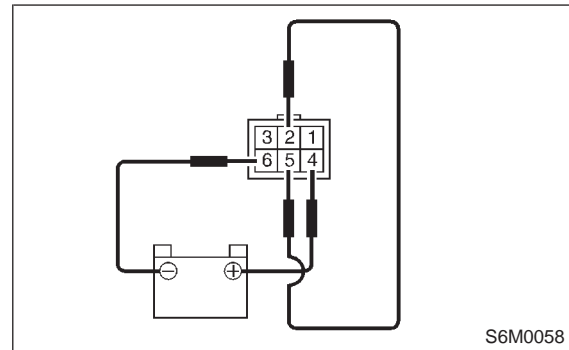


**2. WIPER MOTOR**

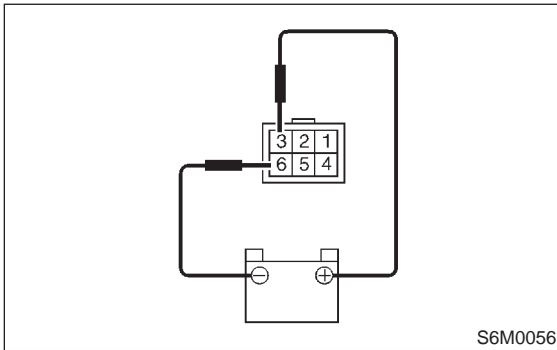
1) Check wiper motor operation at low speed:  
Connect battery to wiper motor. Check wiper motor for proper operation at low speed.



4) Reconnect battery and ensure that wiper motor stops at "AUTO STOP" after operating at low speed.



2) Check wiper motor operation at high speed:  
Connect battery wiper motor. Check wiper motor for proper operation at high speed.



3) Check wiper motor for proper stoppage:  
Connect battery to wiper motor. After operating wiper motor at low speed, disconnect battery to stop it.

