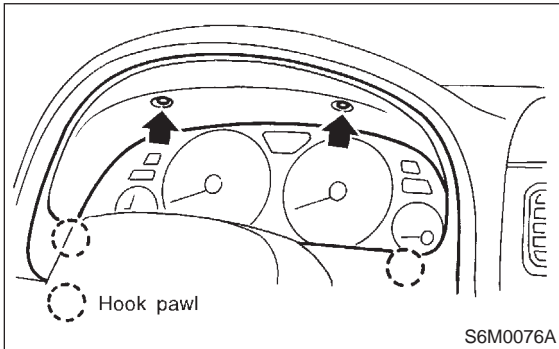


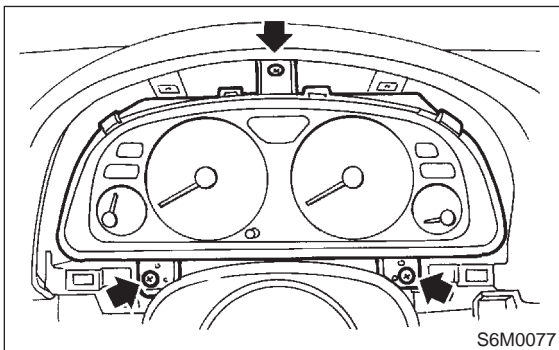
## 8. Combination Meter

### A: REMOVAL AND INSTALLATION

- 1) Disconnect ground cable from battery.
- 2) Move steering wheel most down.
- 3) Remove screws which secure visor and remove visor.



- 4) Remove screws which secure combination meter, and pull combination meter out.

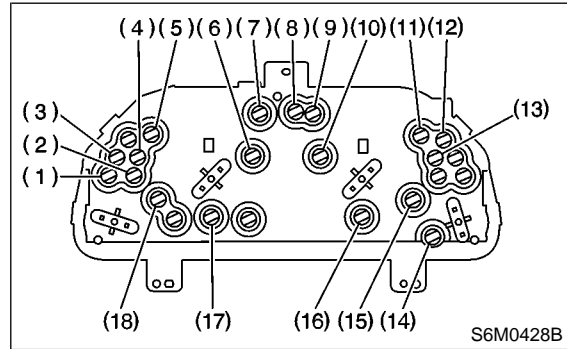


- 5) Disconnect connector from top of combination meter.
- 6) Install in the reverse order of removal.

#### CAUTION:

When installing the combination meter, be sure to connect the connectors to the top of combination meter.

### B: BULB REPLACEMENT



- (1) Check engine
- (2) Oil pressure
- (3) Charge
- (4) AT oil temp.
- (5) Brake
- (6) Tachometer
- (7) Turn RH
- (8) HI-beam
- (9) Turn LH
- (10) Speedometer
- (11) FWD
- (12) Seat belt
- (13) ABS
- (14) Low fuel
- (15) Speedometer and fuel gauge
- (16) Odometer and trip meter
- (17) Outside air temperature display
- (18) Tachometer and temperature gauge