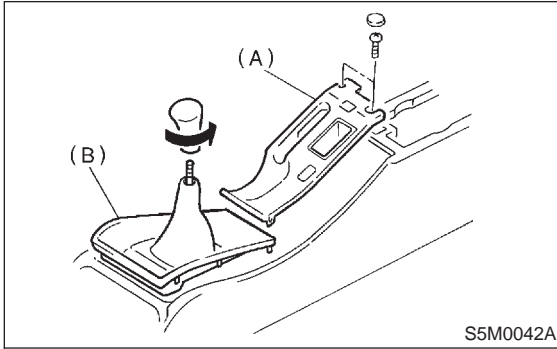


## 14. Security System

### A: REMOVAL AND INSTALLATION

#### 1. SECURITY CONTROL MODULE

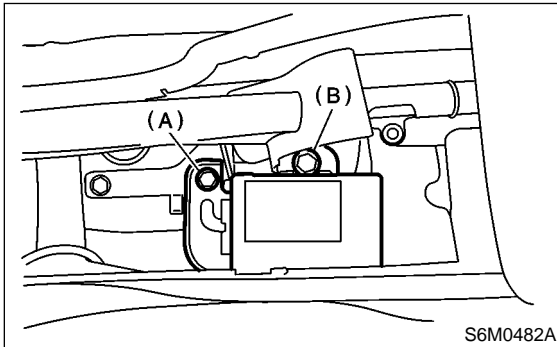
- 1) Disconnect battery ground cable.
- 2) Remove shift knob (MT model).
- 3) Remove console cover (A) and front cover (B) while disconnecting connector.



- 4) Disconnect connector from security control module.
- 5) Remove bolt (A) and loosen bolt (B).

**NOTE:**

Loosen bolt (B) without completely removing it.



- 6) Remove security control module.
- 7) Install in the reverse order of removal.

**NOTE:**

To install the security control module, tighten bolts securely so that the bolts do not come loose.

### B: INSPECTION

#### 1. IMPACT SENSOR

Perform impact sensitivity test.  
<Ref. to 6-2 [T5F1].>

MEMO: