

## 1. Precaution

### A: SUPPLEMENTAL RESTRAINT SYSTEM "AIRBAG"

Airbag system wiring harness is routed on and along body panels.

#### CAUTION:

- All airbag system wiring harness and connectors are yellow. Do not use electrical test equipment on these circuit.
- Be careful not to damage airbag system wiring harness when repairing the body panel.

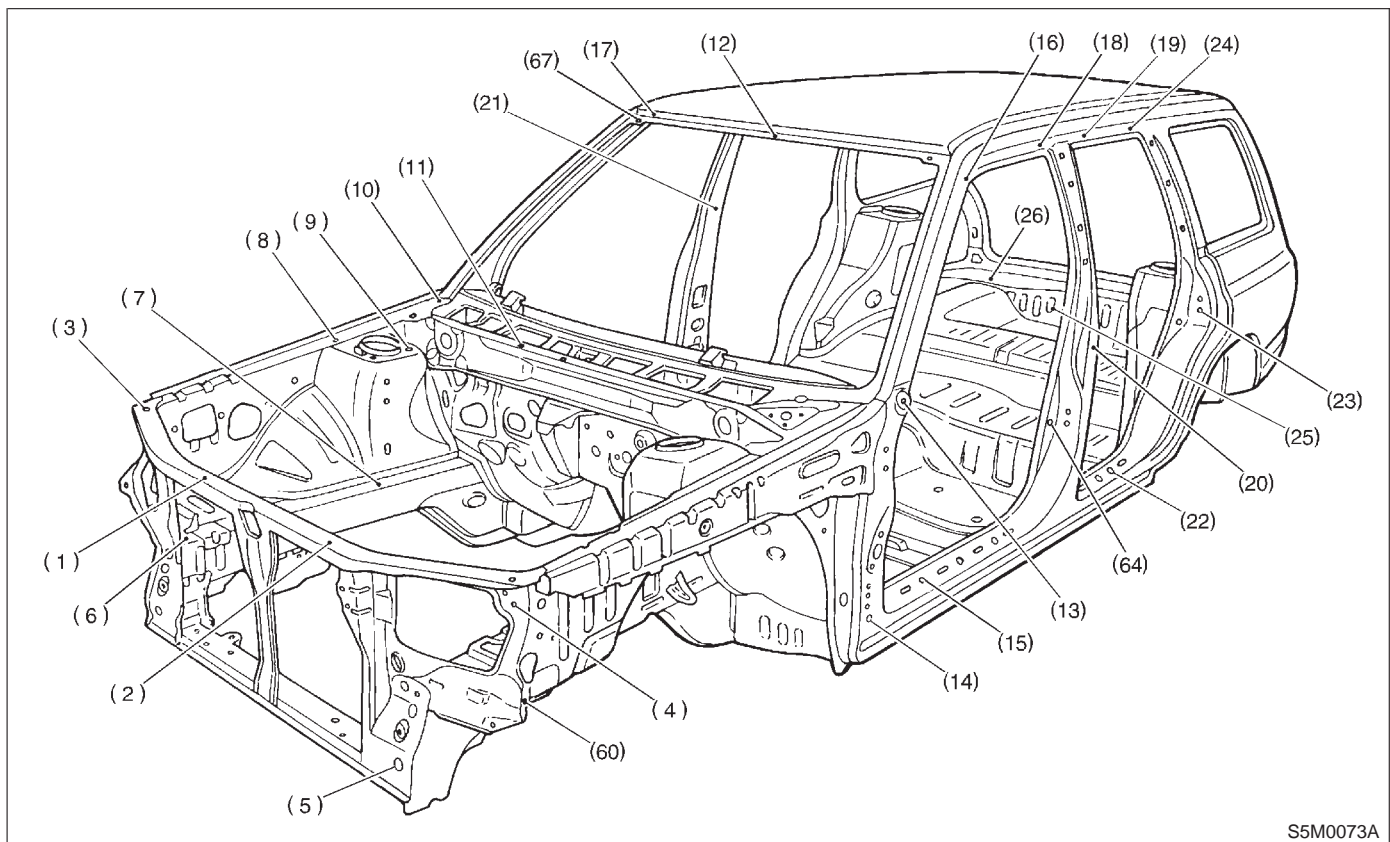
## 2. Body Datum Points

Various master repair locations are established as datum points used during body repairs. In addition, guide holes, locators and indents are provided to facilitate panel replacement and achieve alignment accuracy.

#### NOTE:

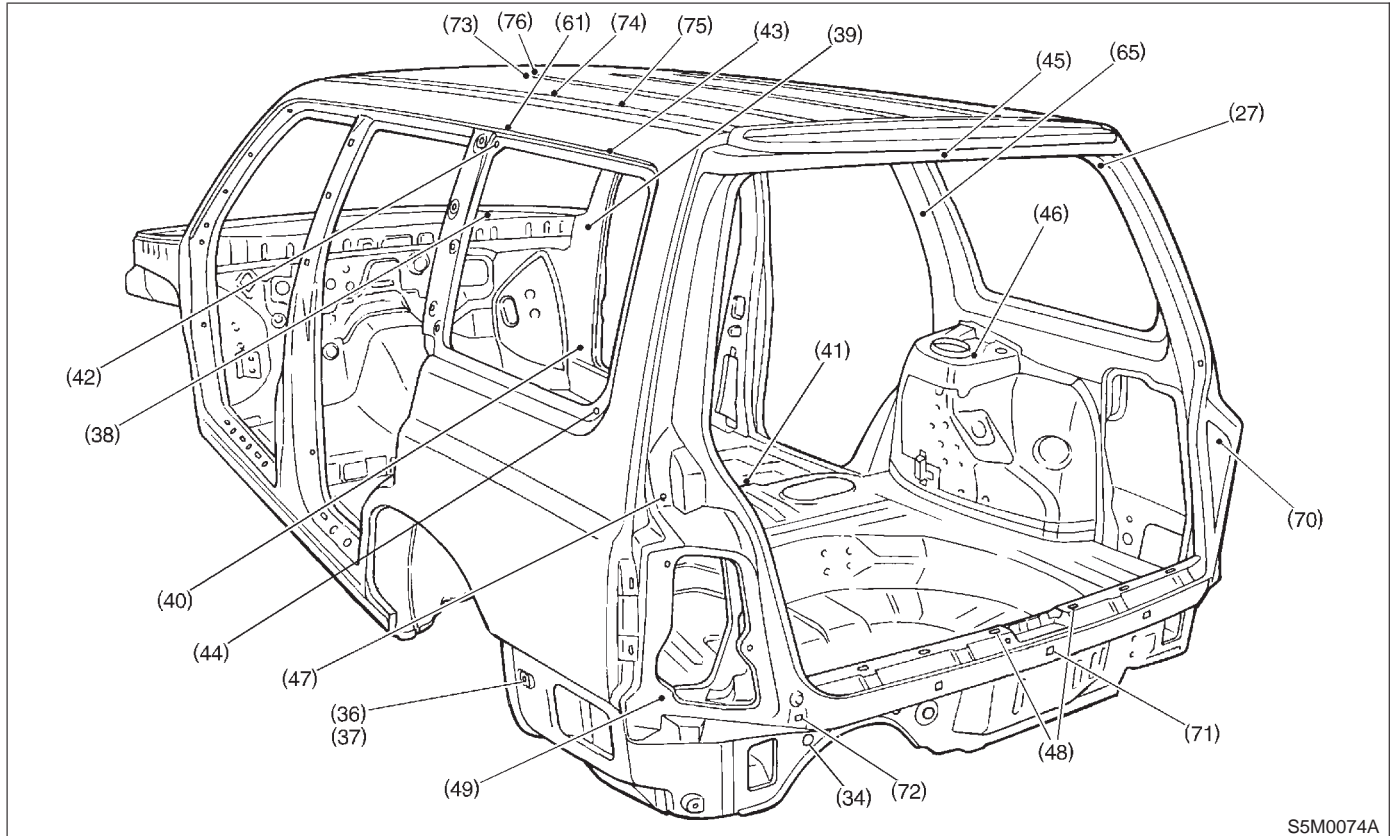
Left and right datum points are all symmetrical to each other.

### A: ENGINE COMPARTMENT AND ROOM



S5M0073A

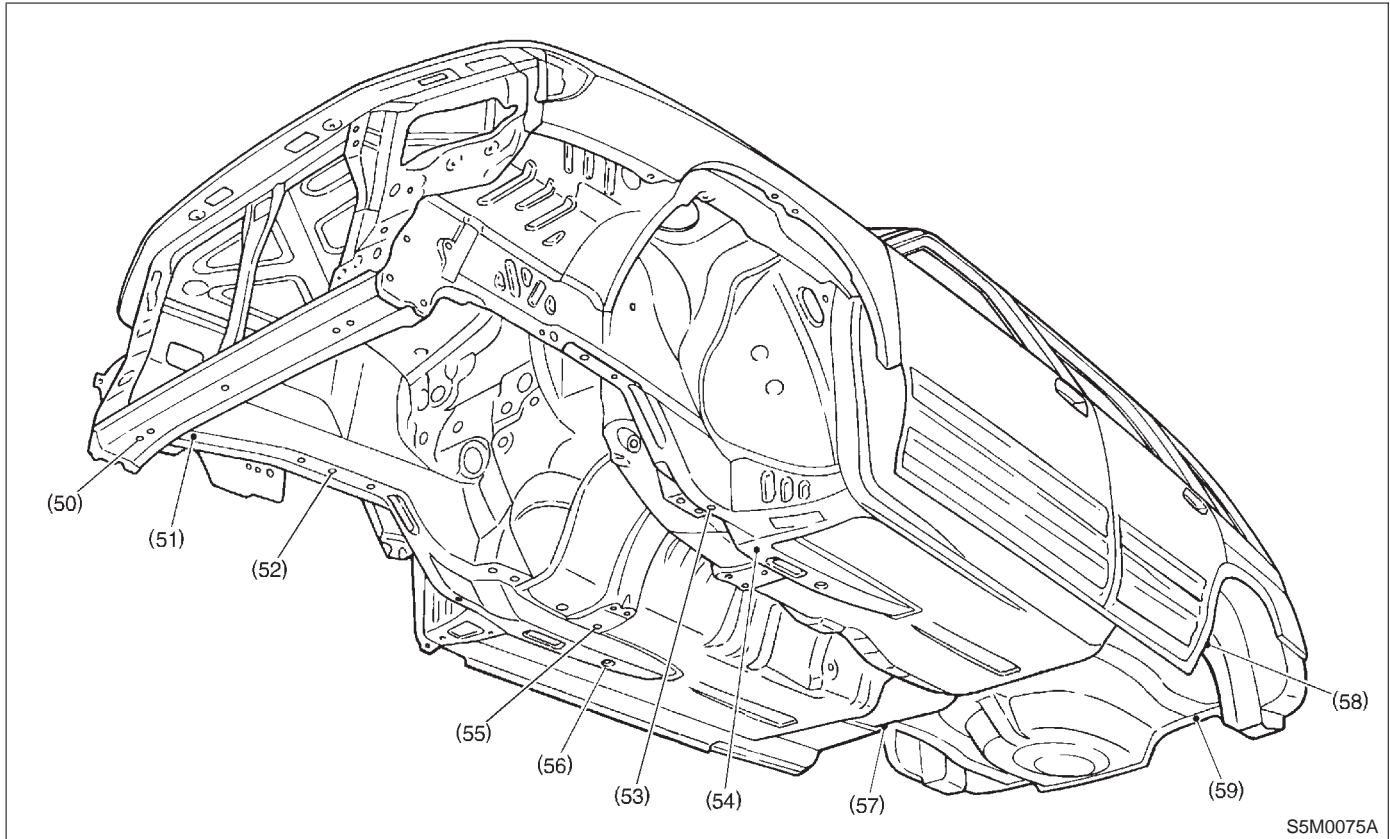
- 
- |   |  |  |
|---|--|--|
| (1) Radiator panel (UPR) repair bolt hole M8 (Right)                            | (10) Hood hinge attaching bolt hole M8 (Symmetrical)             | (20) Center pillar gauge hole 12 mm (0.47 in) dia. (Symmetrical)                                     |
| (2) Radiator panel (UPR) repair bolt hole M8 (Left)                             | (11) Cowl panel mounting hole 6 mm (0.24 in) dia. (Symmetrical)  | (21) Belt anchor attaching bolt hole 12 mm (0.47 in) dia. (Symmetrical)                              |
| (3) Fender attaching bolt hole M6 (Symmetrical)                                 | (12) Roof inner trim attaching bolt hole 8 mm (0.31 in) dia.     | (22) Wax coat hole, 20 mm (0.79 in) dia. (Symmetrical)   |
| (4) Repair locator 8 mm (0.31 in) dia. (Symmetrical)                            | (13) Fender attaching bolt hole M6 (Symmetrical)                 | (23) Rear door switch attaching hole 20 mm (0.79 in) dia. (Symmetrical)                              |
| (5) Radiator panel side gauge hole 24 mm (0.94 in) dia. (Symmetrical)           | (14) Front pillar gauge hole 20 mm (0.79 in) dia. (Symmetrical)  | (24) Retainer attaching square hole 7 mm (0.28 in) (Symmetrical)                                     |
| (6) Front bumper mounting hole 14 × 17 mm (0.55 × 0.67 in) dia. (Symmetrical)   | (15) Wax coat hole 20 mm (0.79 in) dia. (Symmetrical)            | (25) Spare tire attaching bolt hole M8   |
| (7) Front crossmember attaching bolt hole 12.4 mm (0.488 in) dia. (Symmetrical) | (16) Retainer attaching square hole 7 mm (0.28 in) (Symmetrical) | (26) Air draw hole 7 mm (0.28 in) dia. (Symmetrical)   |
| (8) Fender attaching bolt hole M6 (Symmetrical)                                 | (17) Sun visor attaching hole 20 mm (0.79 in) dia. (Symmetrical) | (60) Fender attaching bolt hole M6 (Symmetrical)   |
| (9) Front strut mounting hole 10 mm (0.39 in) dia. (Symmetrical)                | (18) Retainer attaching square hole 7 mm (0.28 in) (Symmetrical) | (64) Door switch attaching hole 13.5 mm (0.531 in) dia. (Symmetrical)                                |
|   | (19) Retainer attaching square hole 7 mm (0.28 in) (Symmetrical) | (67) Front glass attaching hole Right 6.5 mm (0.256 in) dia. Left 6.5 × 10 mm (0.256 × 0.39 in) dia. |
-

**B: LUGGAGE COMPARTMENT AND ROOM**

S5M0074A

- |  |   |  |
|--|---|--|
| (27) Rear pillar (Inner) harness clip attaching hole 8 mm (0.31 in) dia. (Symmetrical) | (43) Roof rail attaching square hole 9 mm (0.35 in) dia. (Symmetrical)            | (65) Seat belt anchor attaching bolt hole 12 mm (0.47 in) dia. (Symmetrical) |
| (34) Rear skirt gauge hole 20 mm (0.79 in) dia. (Symmetrical)                          | (44) Rear quarter glass attaching hole 8 mm (0.31 in) dia. (Symmetrical)          | (70) Buffer attaching hole M6 (Symmetrical)                                  |
| (36) Rear quarter bumper side gauge hole 20 mm (0.79 in) dia. (Left)                   | (45) Rear locator hollow 4 mm (0.16 in) dia.                                      | (71) Bumper face attaching square hole 8 × 9 mm (0.31 × 0.35 in)             |
| (37) Rear quarter bumper side gauge hole 20 mm (0.79 in) dia. (Right)                  | (46) Rear strut mounting hole 10 mm (0.39 in) dia. (Symmetrical)                  | (72) Rear quarter and square hole 8 × 9 mm (0.31 × 0.35 in) (Symmetrical)    |
| (38) Instrument panel attaching square hole 22 × 34.5 mm (0.87 × 1.358 in) (Right)     | (47) Rear gate stay attaching bolt hole M8 (Symmetrical)                          | (73) Head console attaching hole 8 mm (0.31 in) dia.                         |
| (39) Steering support beam attaching bolt hole M8 (Symmetrical)                        | (48) Inner trim clip attaching hole 8 × 20 mm (0.31 × 0.79 in) dia. (Symmetrical) | (74) Inner shim carrier attaching bolt hole M6 (Symmetrical)                 |
| (40) Front pillar (Inner) gauge hole 10 mm (0.39 in) dia. (Symmetrical)                | (49) Rear combination light mounting hole 8 mm (0.31 in) dia. (Symmetrical)       | (75) Inner shim carrier attaching bolt hole M6 (Symmetrical)                 |
| (41) Floor mat attaching clip hole 8 mm (0.31 in) dia. (Symmetrical)                   | (61) Side rail (Inner) gauge hole 8 mm (0.31 in) dia. (Symmetrical)               | (76) Head console attaching hole 8 mm (0.31 in) dia.                         |
| (42) Rear quarter glass attaching hole 8 × 15 mm (0.31 × 0.59 in) dia. (Symmetrical)   |   |  |

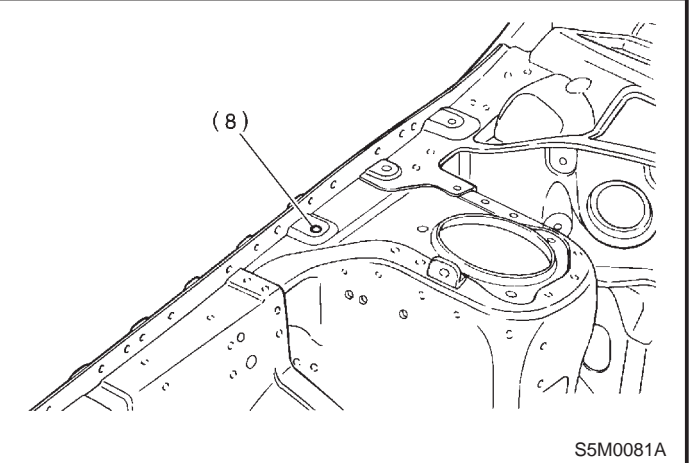
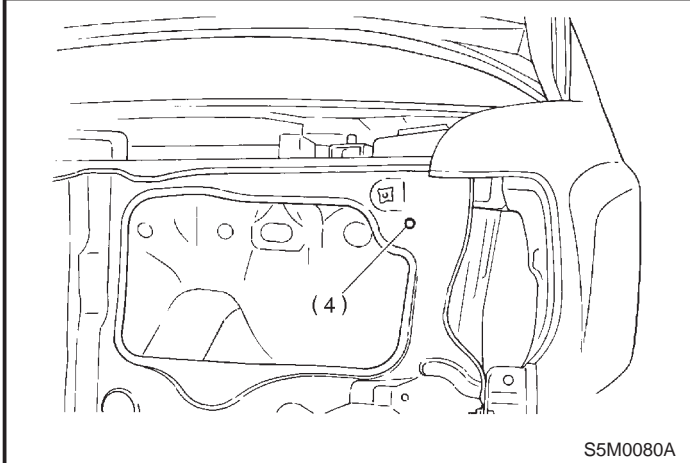
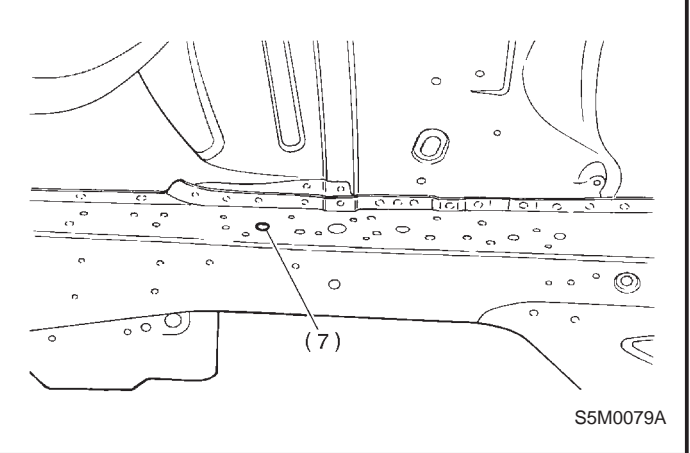
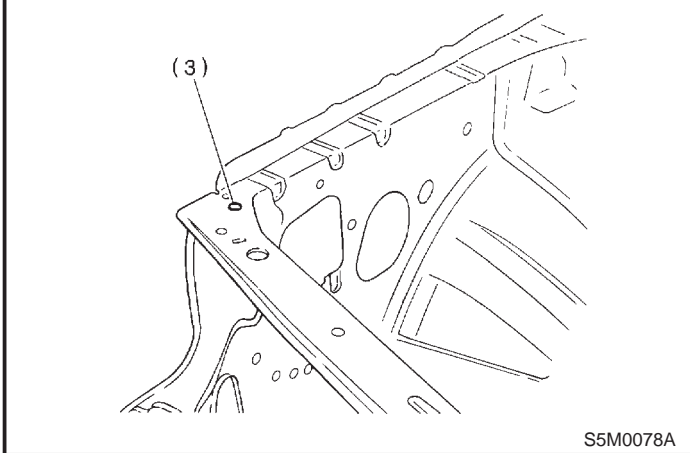
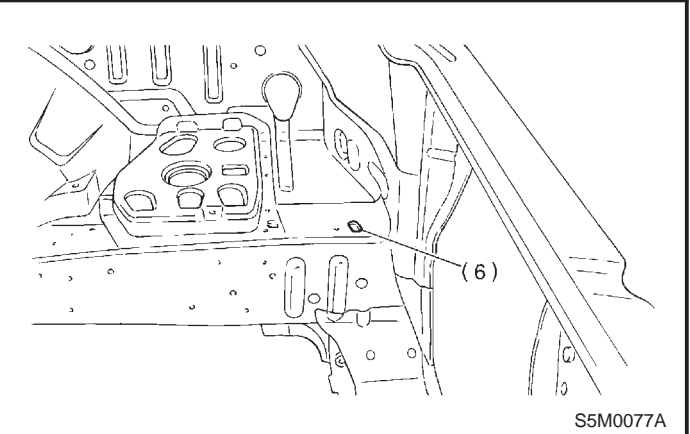
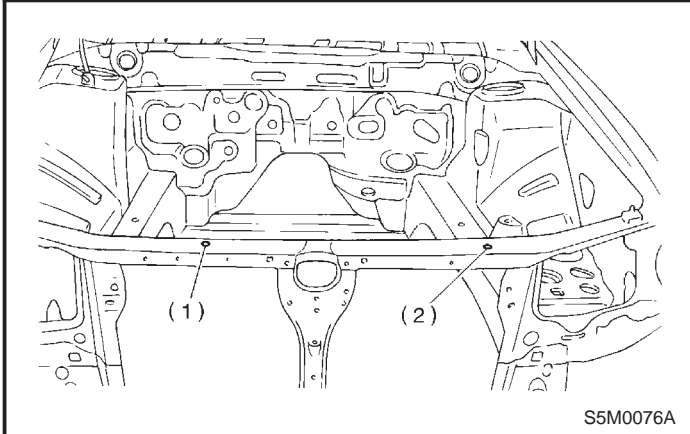
**C: UNDER BODY**

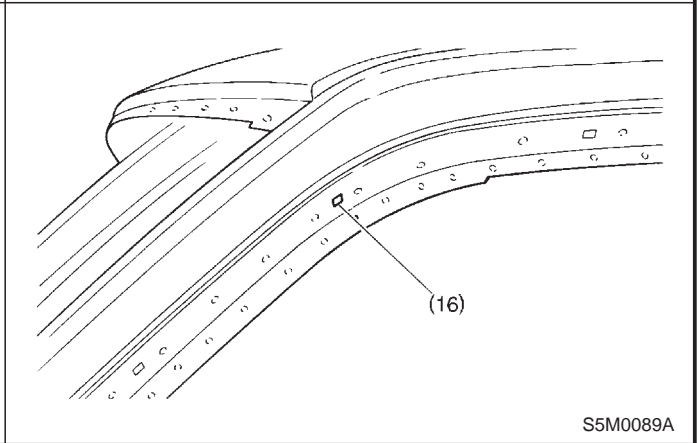
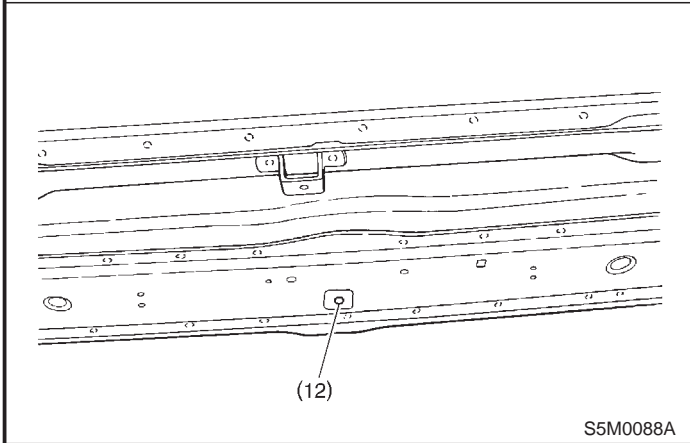
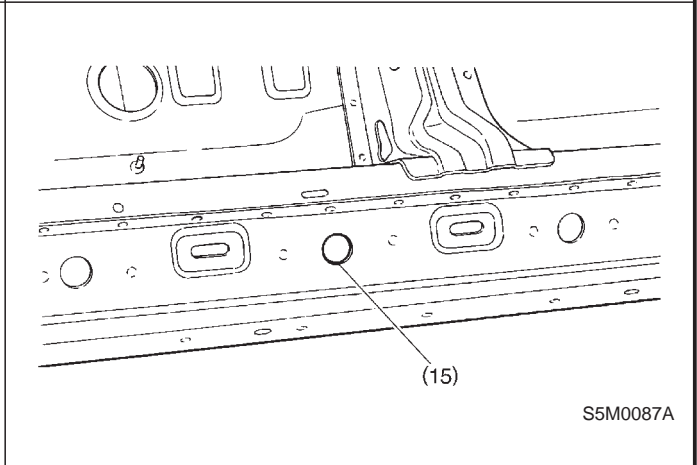
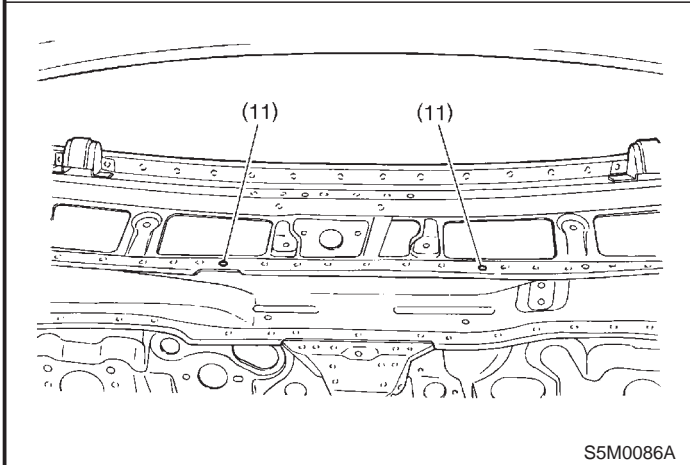
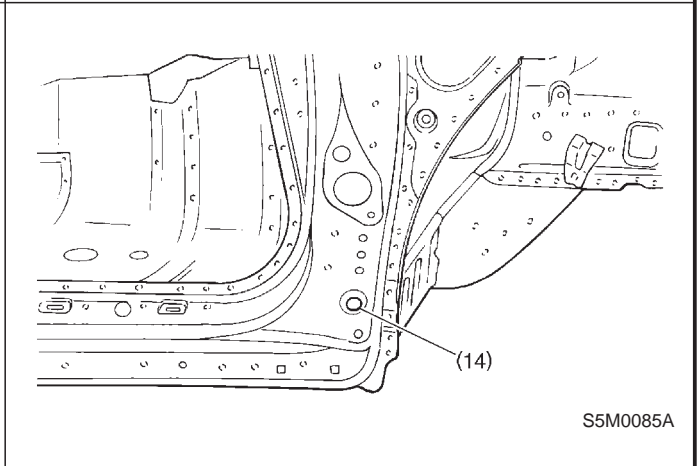
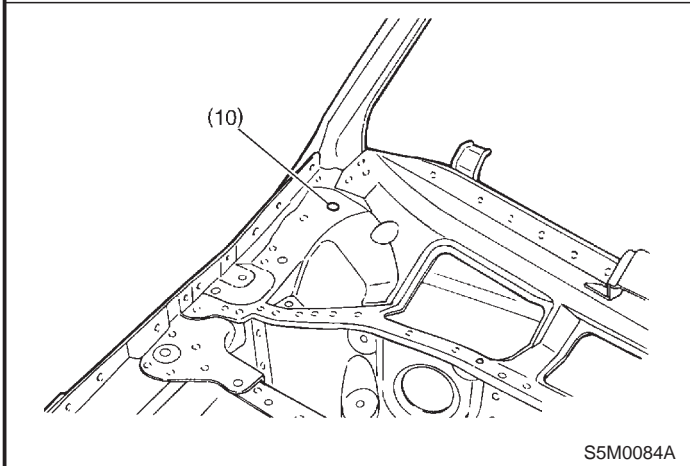
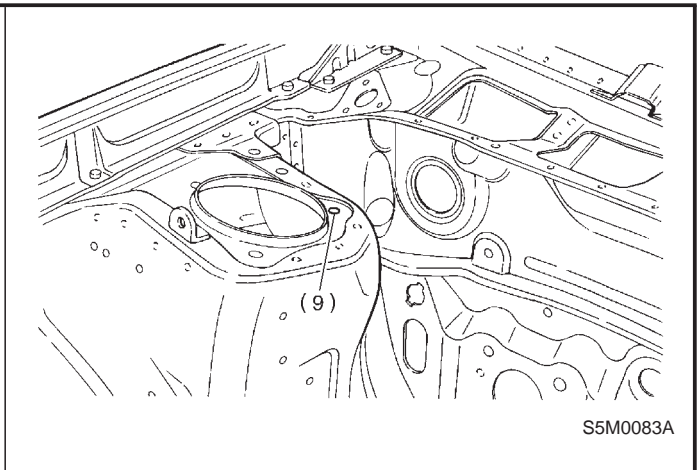
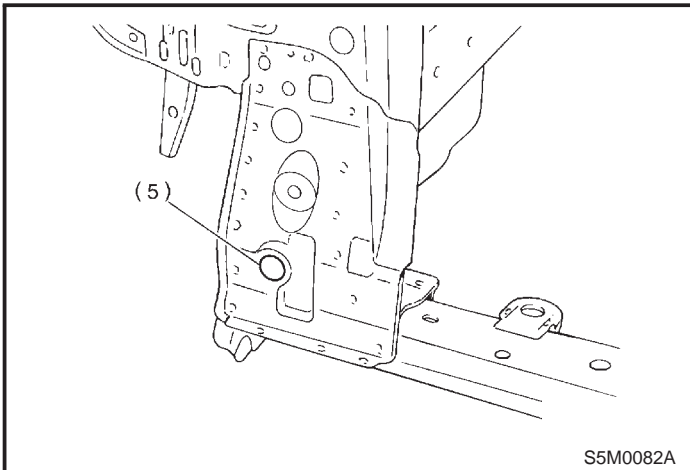


S5M0075A

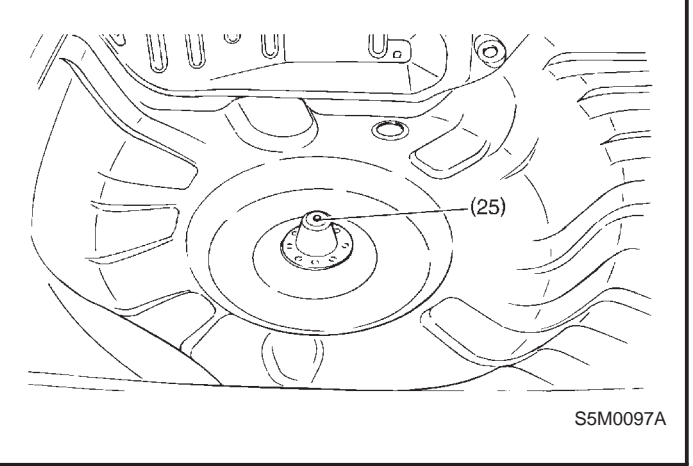
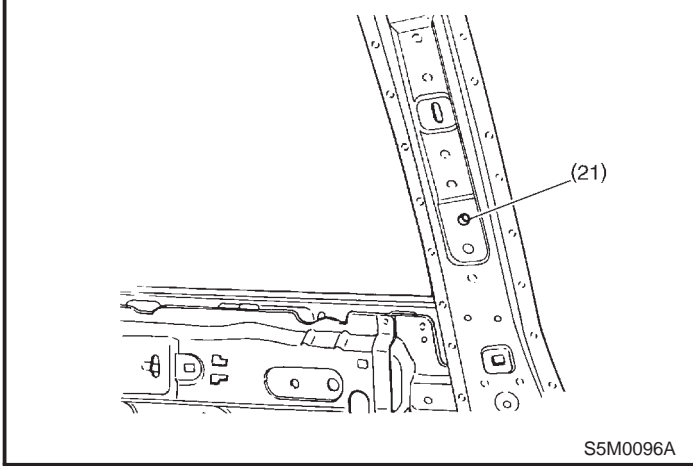
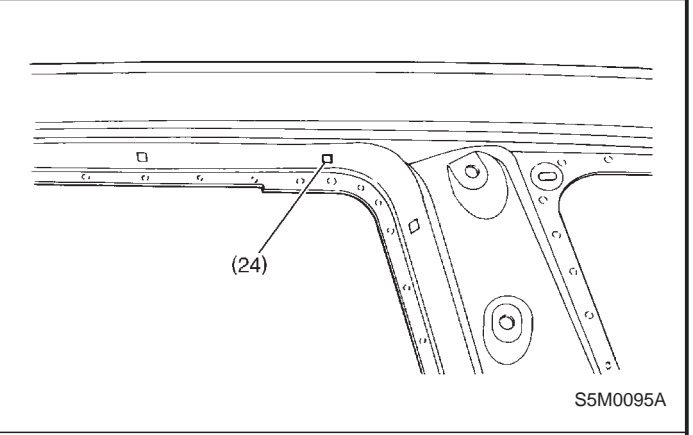
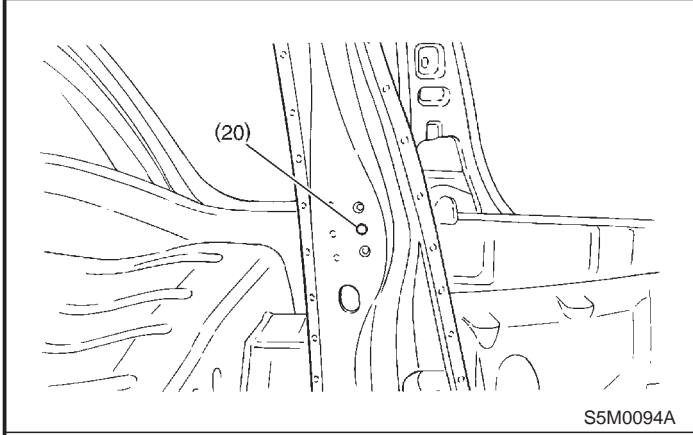
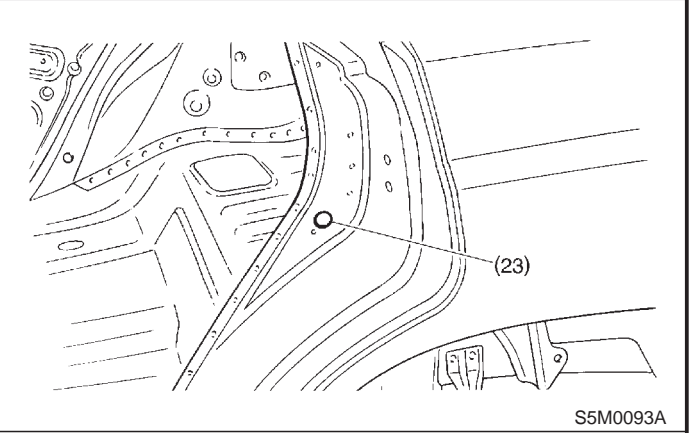
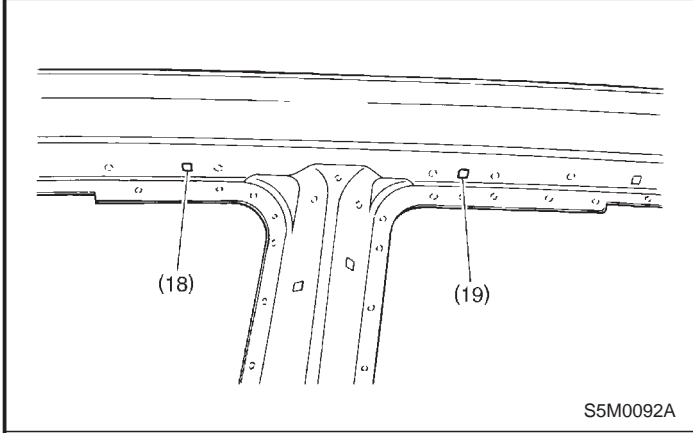
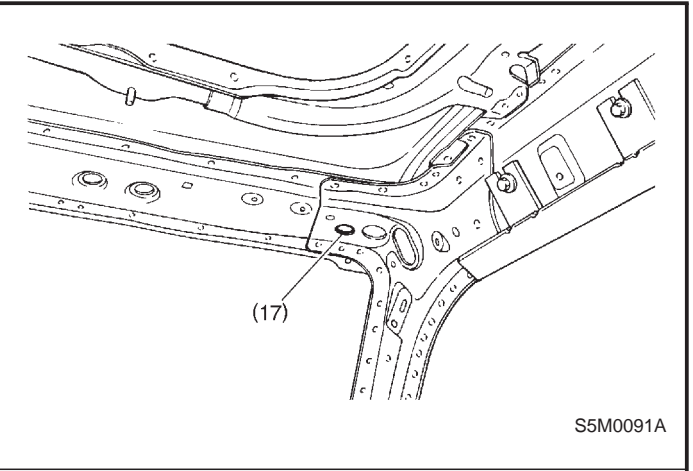
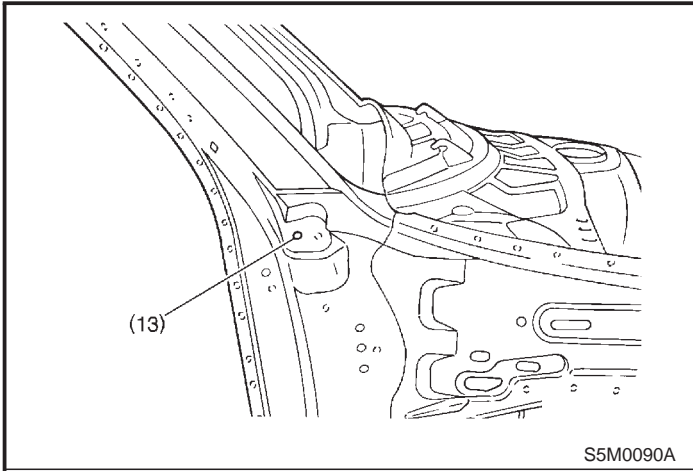
- |   |  |   |
|---|--|---|
| (50) Radiator panel (LWR) frame gauge hole 15 mm (0.59 in) dia. (Symmetrical) | (53) Front suspension attaching bolt hole M14                                  | (56) Side frame gauge hole 15 mm (0.59 in) dia. (Symmetrical)                 |
| (51) Front side frame gauge hole 20 mm (0.79 in) dia. (Symmetrical)           | (54) Side frame gauge hole 20 mm (0.79 in) dia. (Symmetrical)                  | (57) Rear differential attaching bolt hole 12 mm (0.47 in) dia. (Symmetrical) |
| (52) Front crossmember attaching hole 12.4 mm (0.488 in) dia. (Symmetrical)   | (55) Transmission mount attaching bolt hole 10 mm (0.39 in) dia. (Symmetrical) | (58) Rear suspension attaching bolt hole M12 (Symmetrical)                    |
|   |  | (59) Rear side frame gauge hole 15 mm (0.59 in) dia. (Symmetrical)            |

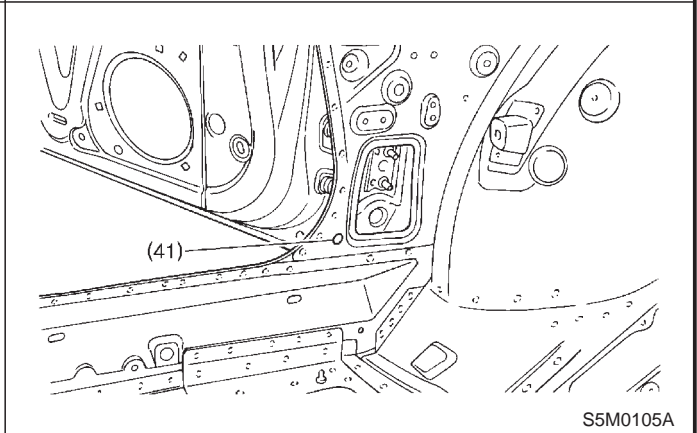
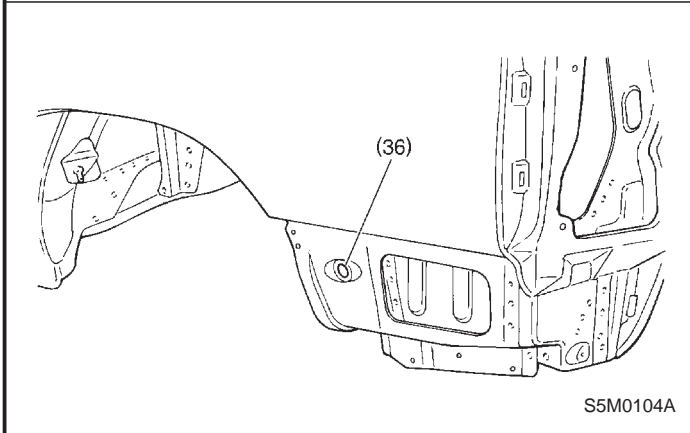
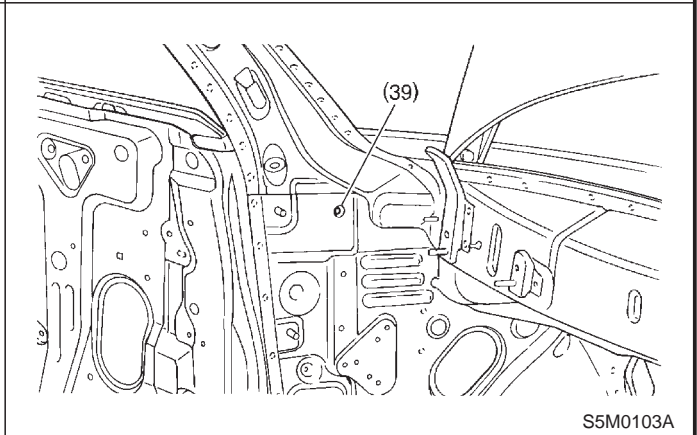
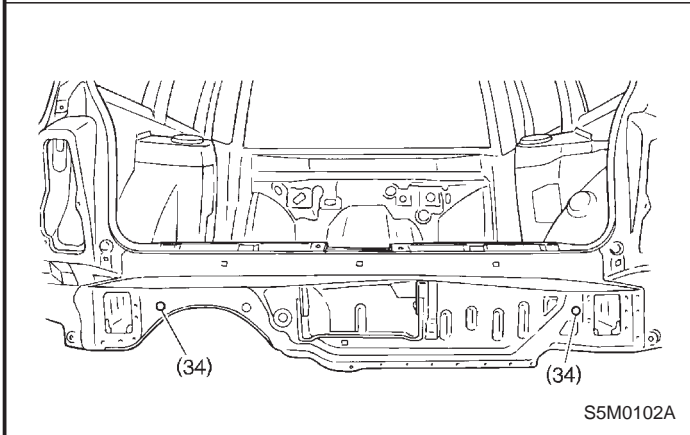
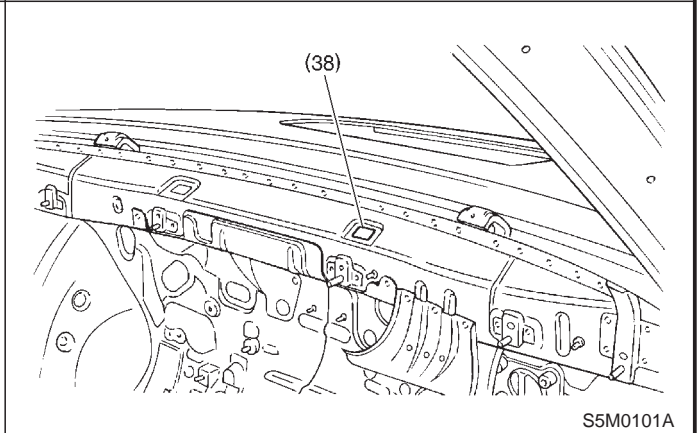
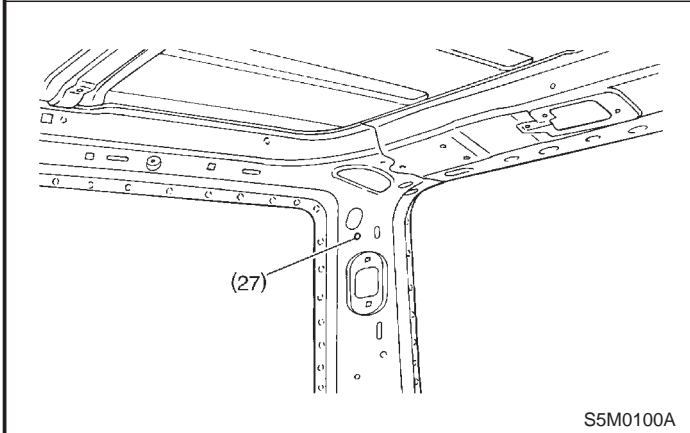
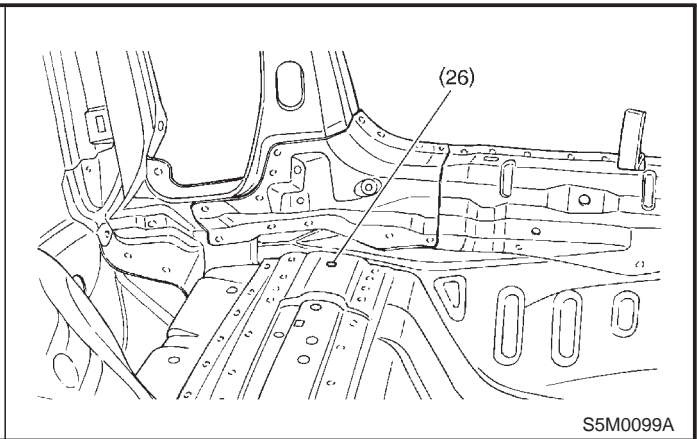
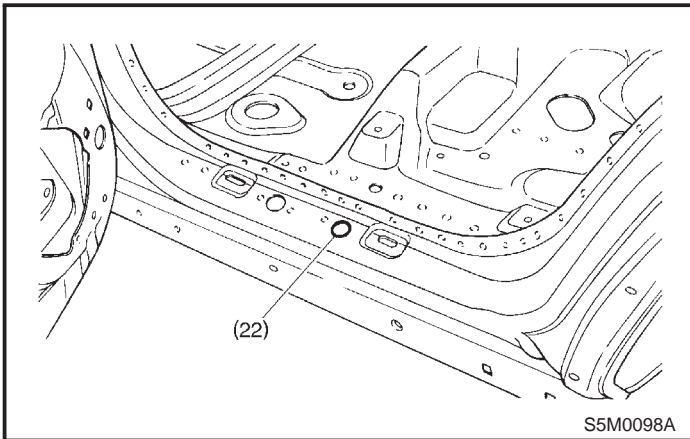
D: DATUM POINT LOCATION



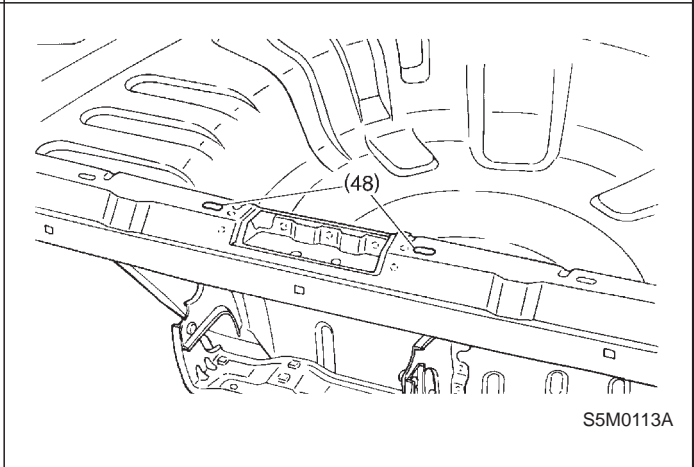
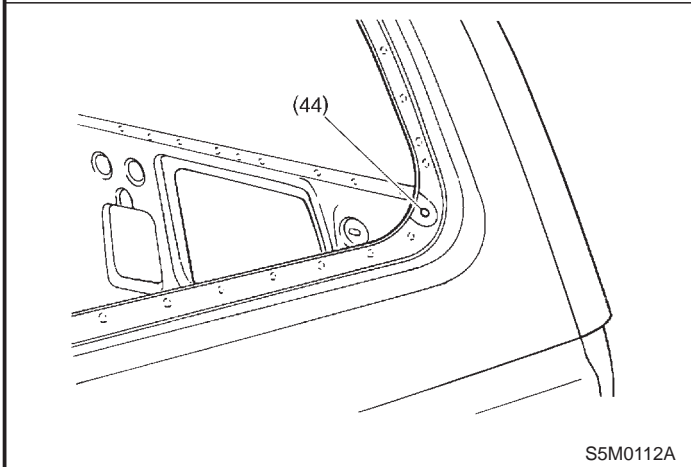
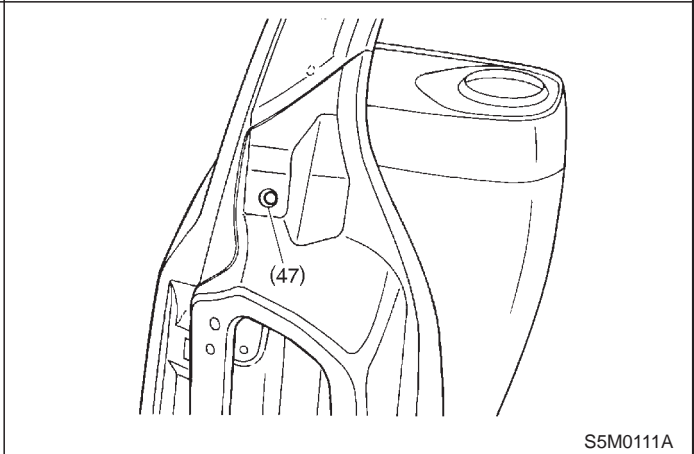
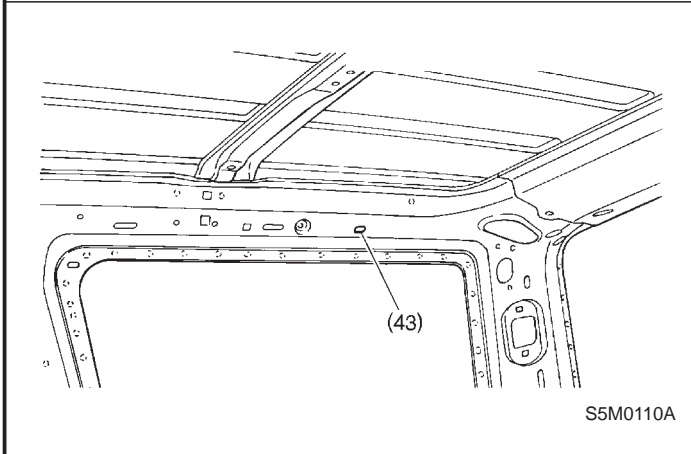
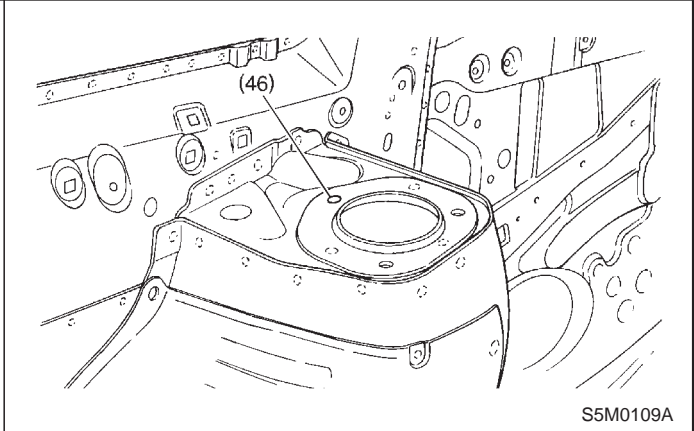
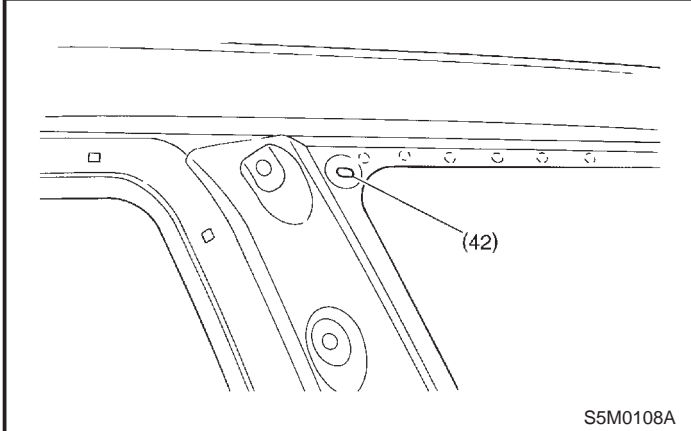
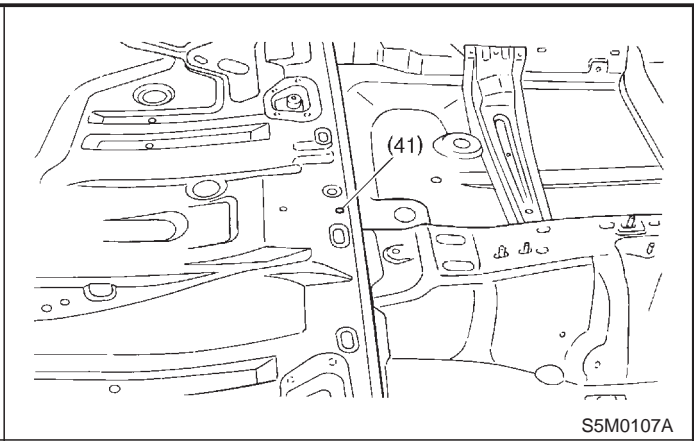
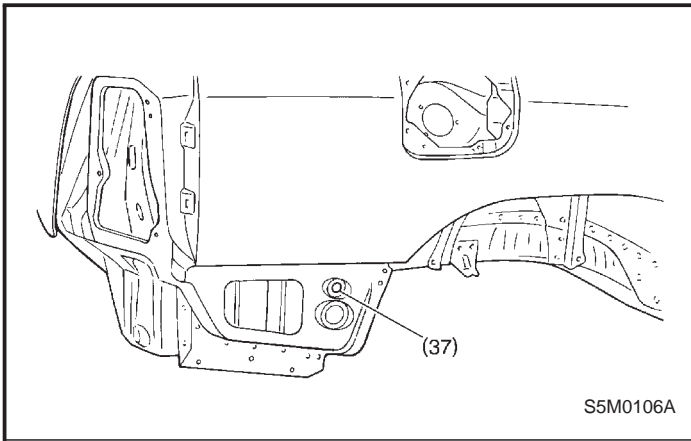


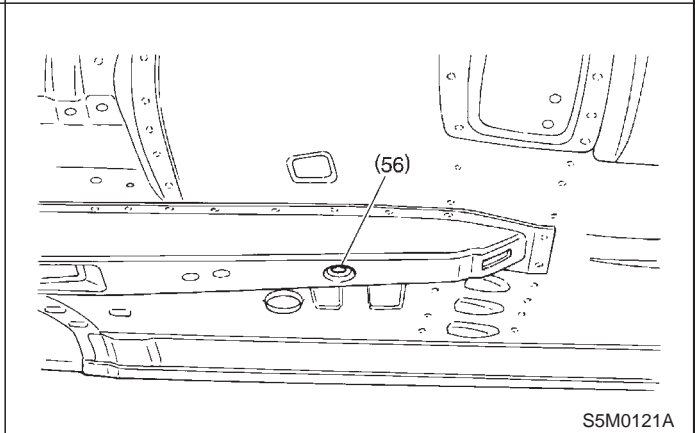
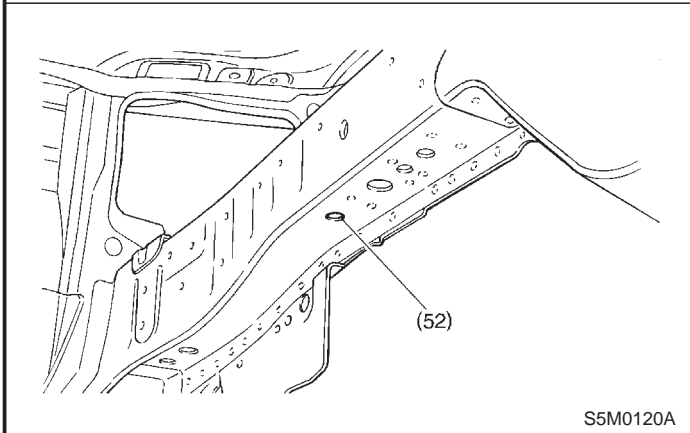
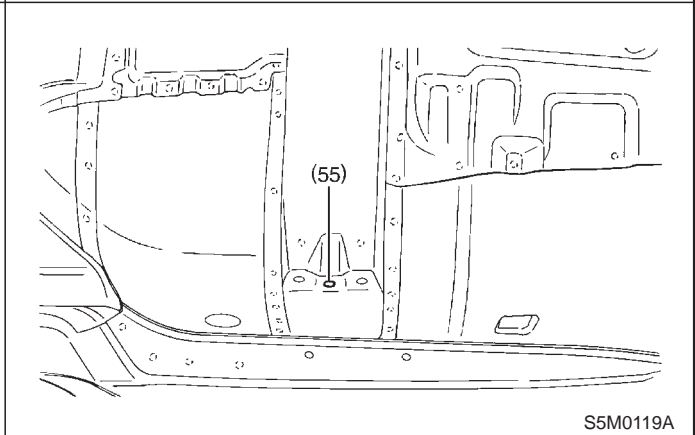
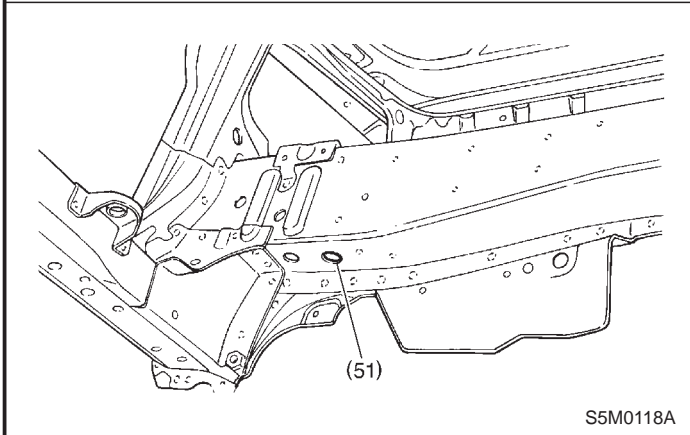
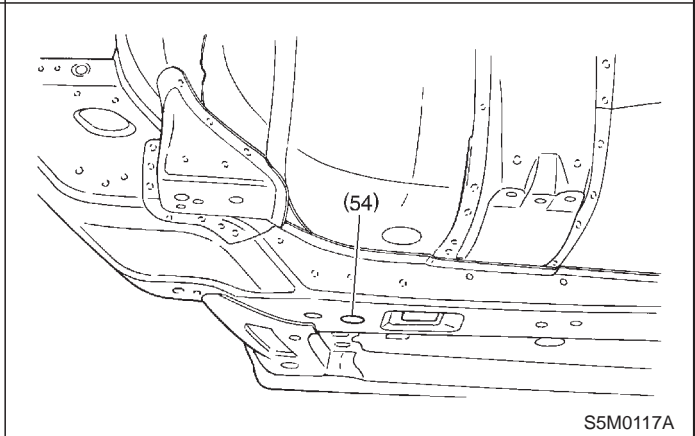
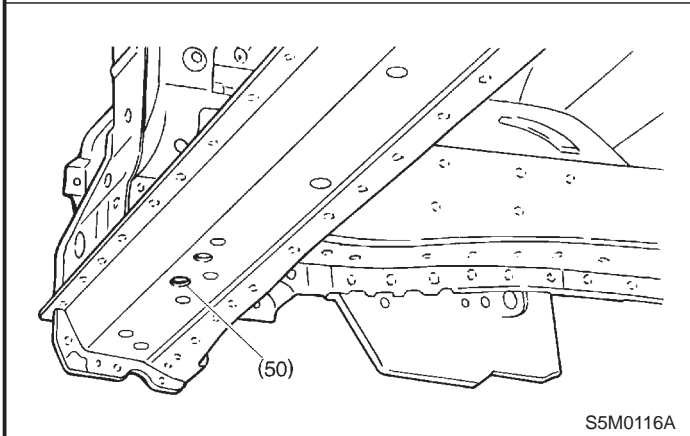
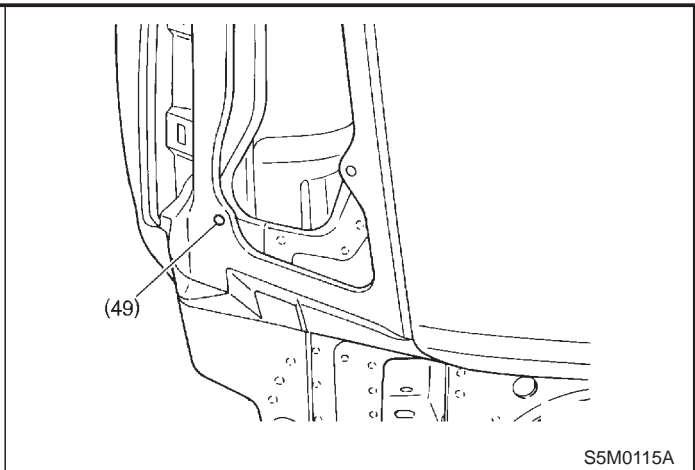
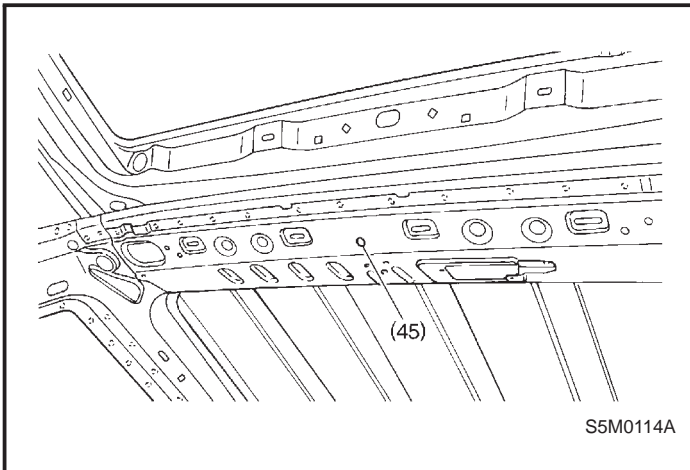


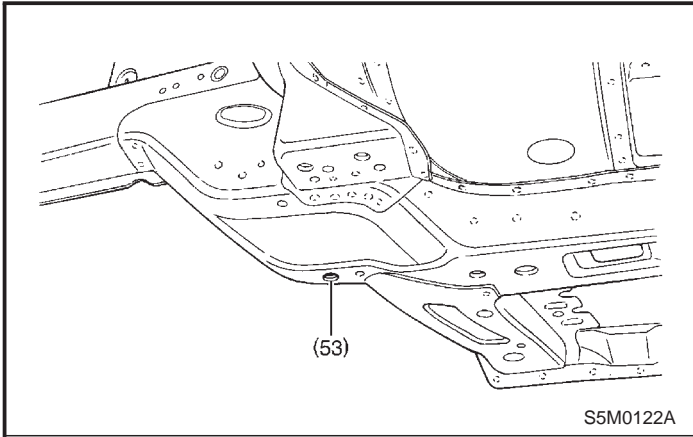




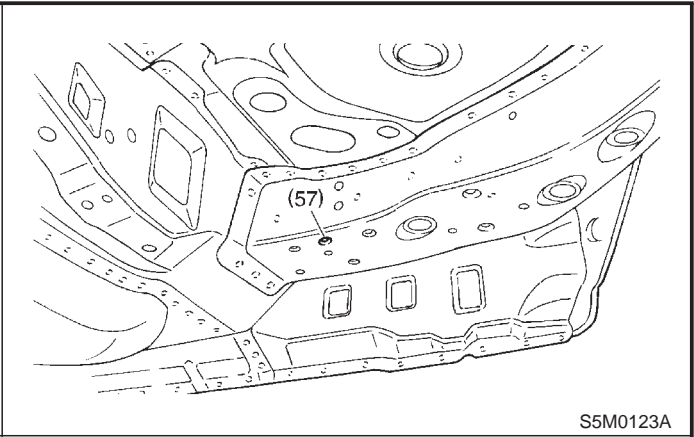




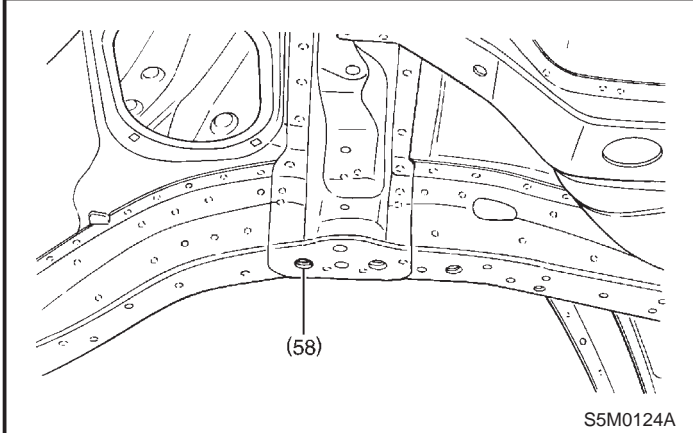




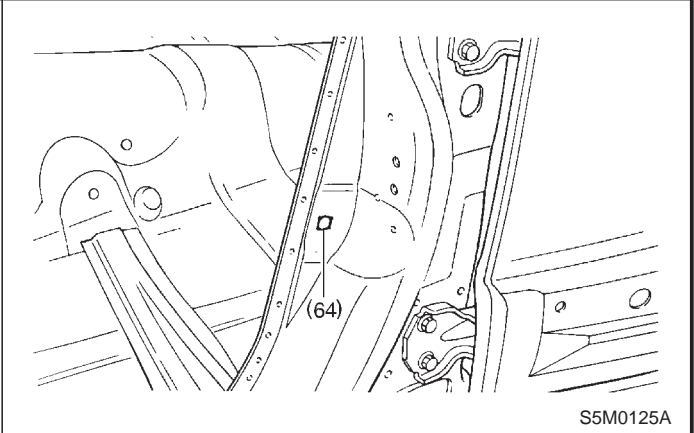
S5M0122A



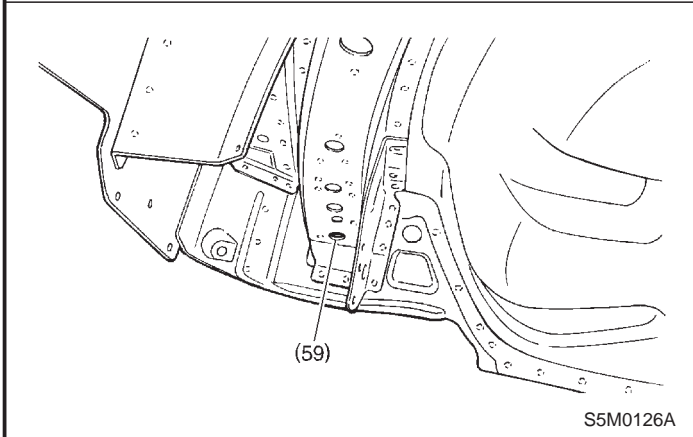
S5M0123A



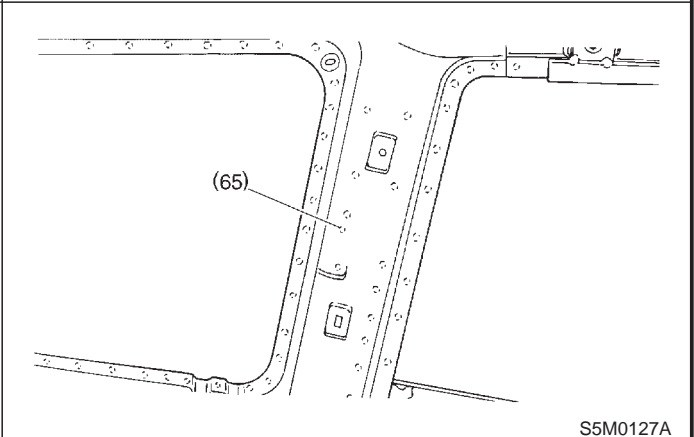
S5M0124A



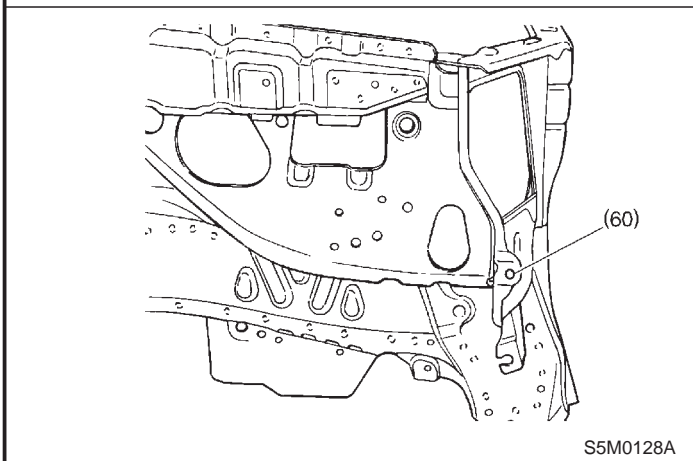
S5M0125A



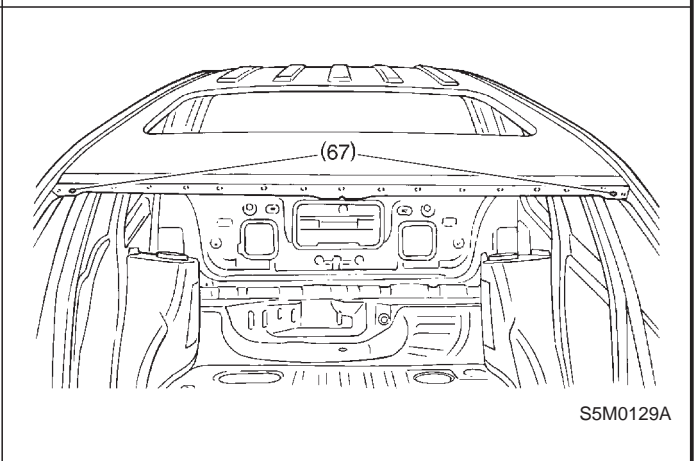
S5M0126A



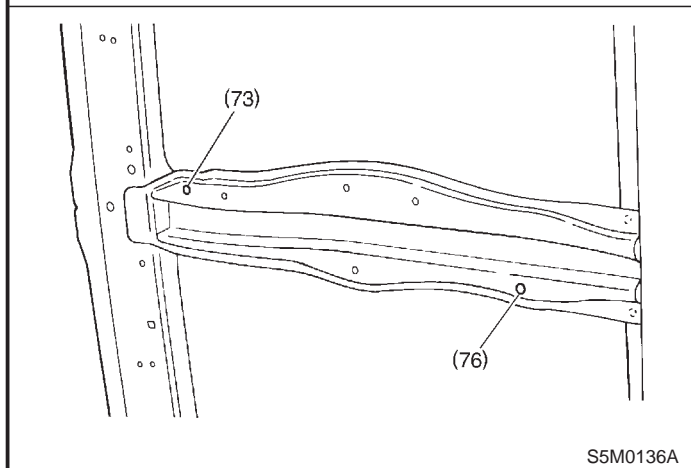
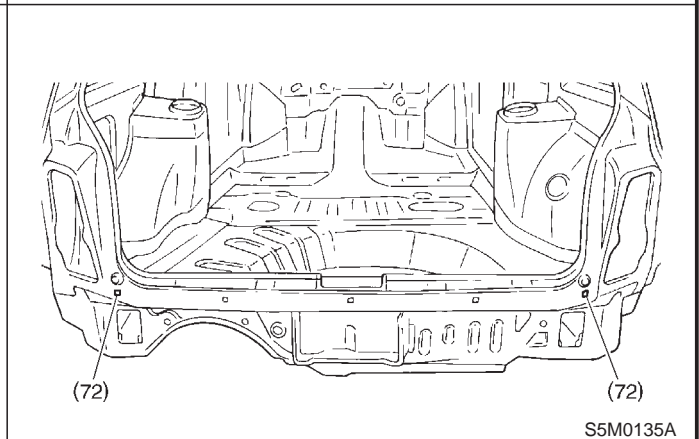
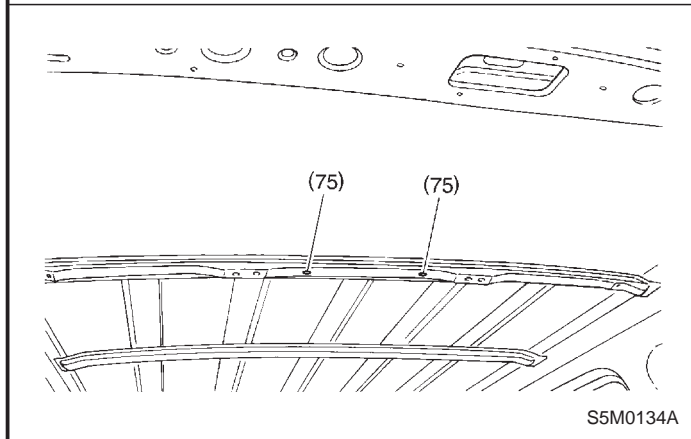
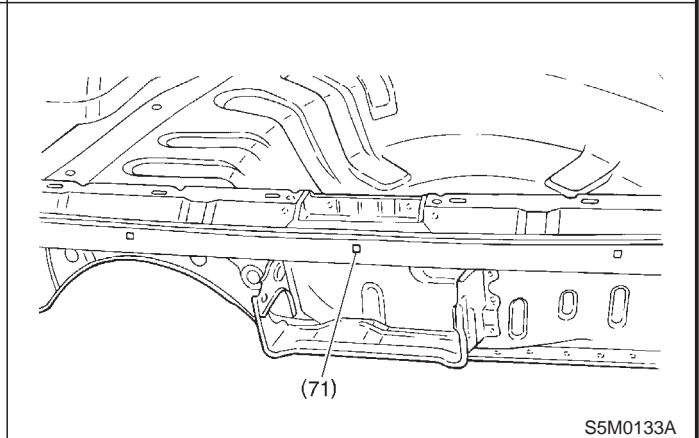
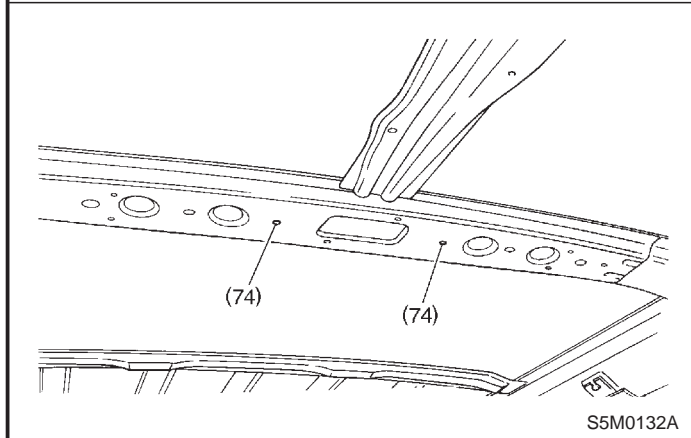
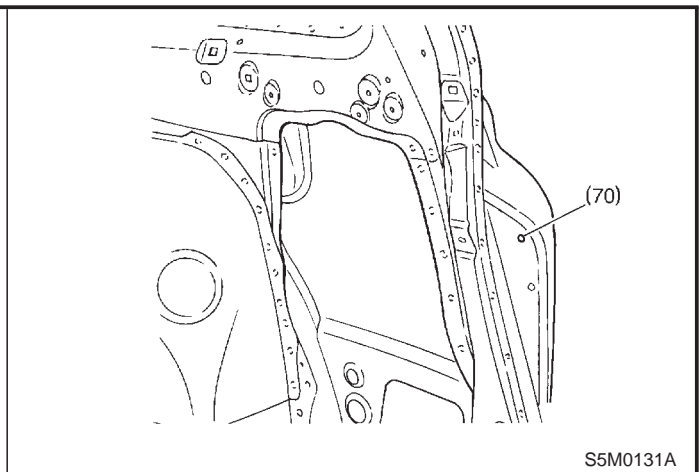
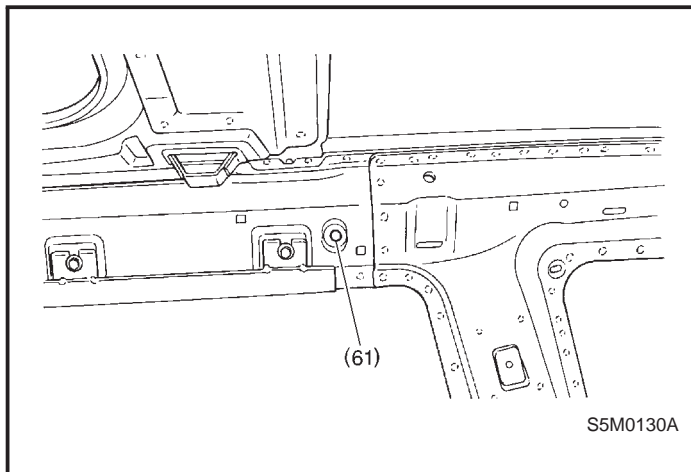
S5M0127A



S5M0128A



S5M0129A



**MEMO:**