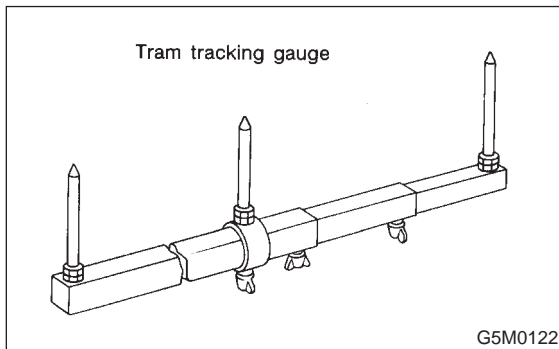


3. Datum Dimensions

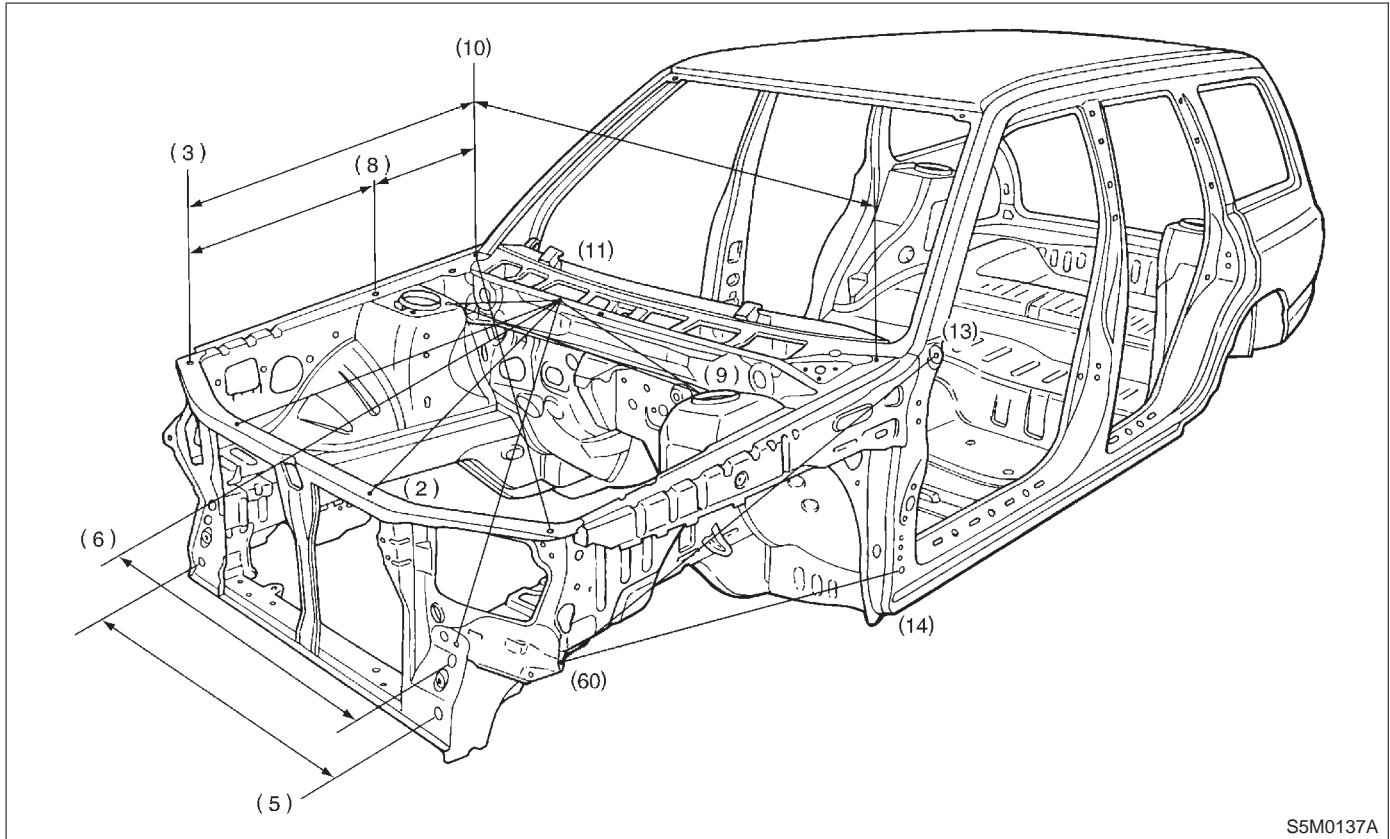
Use a tram tracking gauge to measure all dimensions. If a measuring tape is used, be extremely careful because it tends to deflect or twist, which results in a false reading.



NOTE:

- A suffix character "R" or "L" refers to the right or the left.
- All dimensions refer to the distance between the centers of holes measured in a straight line.
- Each dimension indicates a projected dimension between hole centers.

A: FRONT STRUCTURE

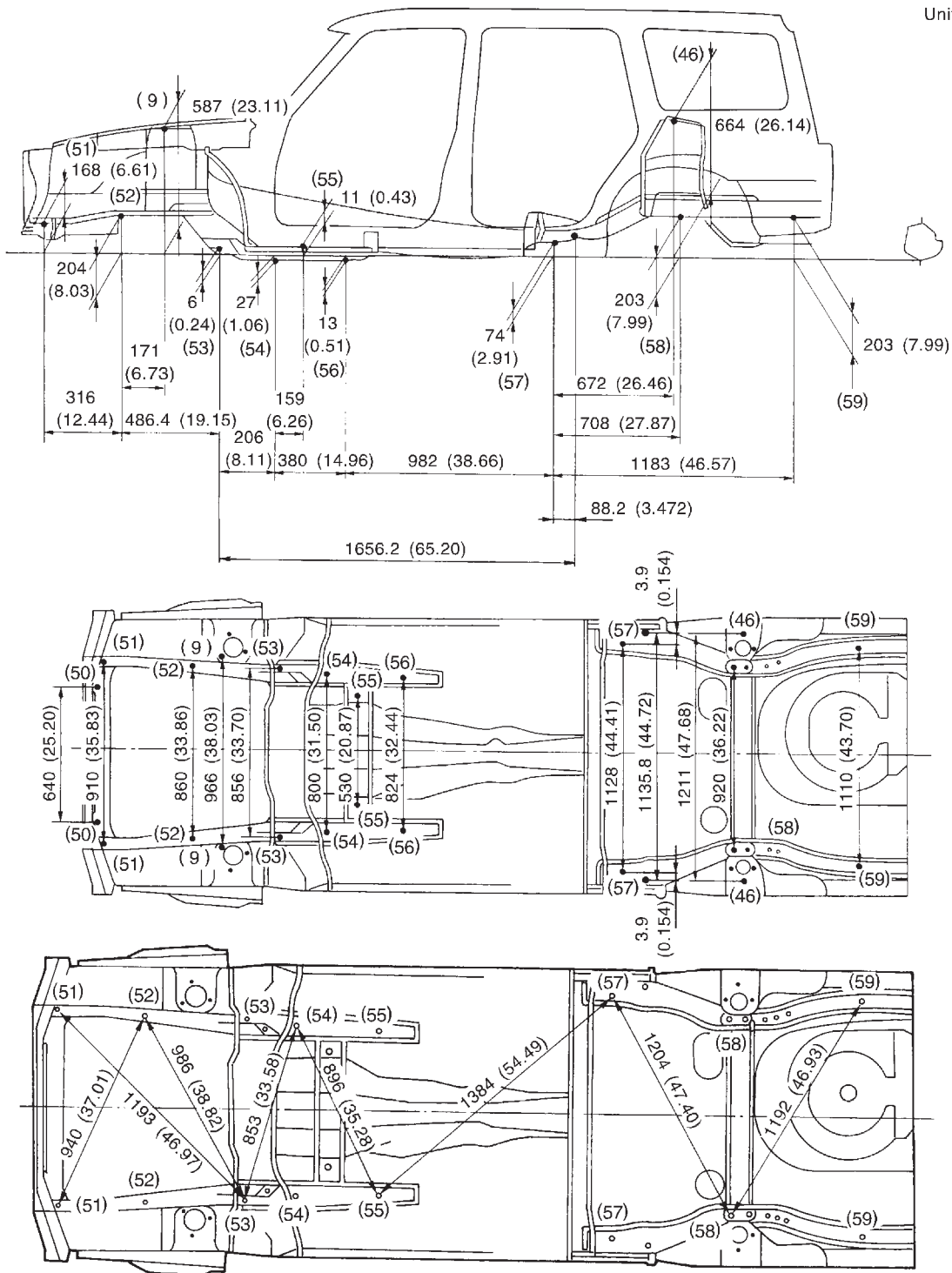


S5M0137A

		Unit: mm (in)	
Point to point	Dimension	Point to point	Dimension
(11) R to (1)	851 (33.50)	(10) R to (8) R	388 (15.28)
(11) L to (1)	912 (35.91)	(10) L to (8) L	388 (15.28)
(11) R to (2)	960 (37.80)	(11) L to (9) R	658 (25.91)
(11) L to (2)	864 (34.02)	(11) R to (9) L	658 (25.91)
(11) R to (9) R	391 (15.39)	(9) R to (9) L	965 (37.99)
(11) L to (9) L	391 (15.39)	(11) L to (6) R	1,058 (41.65)
(11) R to (6) R	924 (36.38)	(11) R to (6) L	1,058 (41.65)
(11) L to (6) L	924 (36.38)	(6) R to (6) L	914 (35.98)
(11) R to (3) R	891 (35.08)	(6) R to (10) L	1,549 (60.98)
(11) L to (3) L	891 (35.08)	(6) L to (10) R	1,549 (60.98)
(10) R to (3) R	915 (36.02)	(8) R to (3) R	528 (20.79)
(10) L to (3) L	915 (36.02)	(8) L to (3) L	528 (20.79)
(10) R to (10) L	1,374 (54.09)	(10) L to (3) R	1,636 (64.41)
(3) R to (3) L	1,338 (52.68)	(8) R to (8) L	1,396 (54.96)
(5) R to (5) L	924 (36.38)	(8) R to (10) L	1,438 (56.61)
(4) R to (4) L	1,296 (51.02)	(8) L to (10) R	1,438 (56.61)
(5) R to (4) L	1,167 (45.94)	(3) R to (8) L	1,465 (57.68)
(5) L to (4) R	1,167 (45.94)	(3) L to (8) R	1,465 (57.68)
(60) R to (13) R	1,174 (46.22)	(7) R to (7) L	860 (33.86)
(60) L to (13) L	1,174 (46.22)	(7) R to (6) L	982 (38.66)
(60) R to (14) R	1,076 (42.36)	(7) L to (6) R	982 (38.66)
(60) L to (14) L	1,076 (42.36)	(7) R to (10) L	1,301 (51.22)
(10) R to (3) L	1,636 (64.41)	(7) L to (10) R	1,301 (51.22)

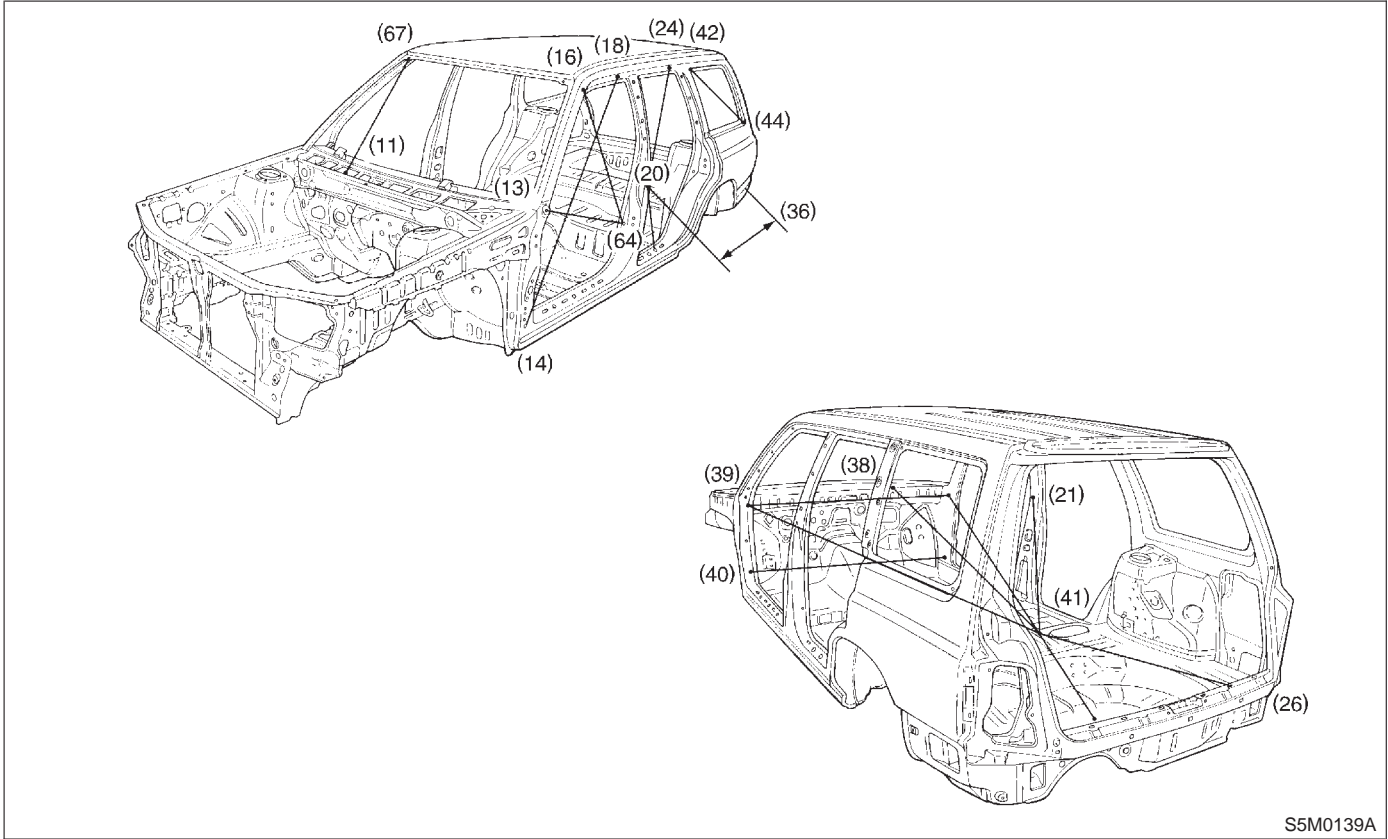
B: CENTER STRUCTURE

Unit: mm (in)



S5M0138A

C: DOORS AND PASSENGER COMPARTMENT



S5M0139A

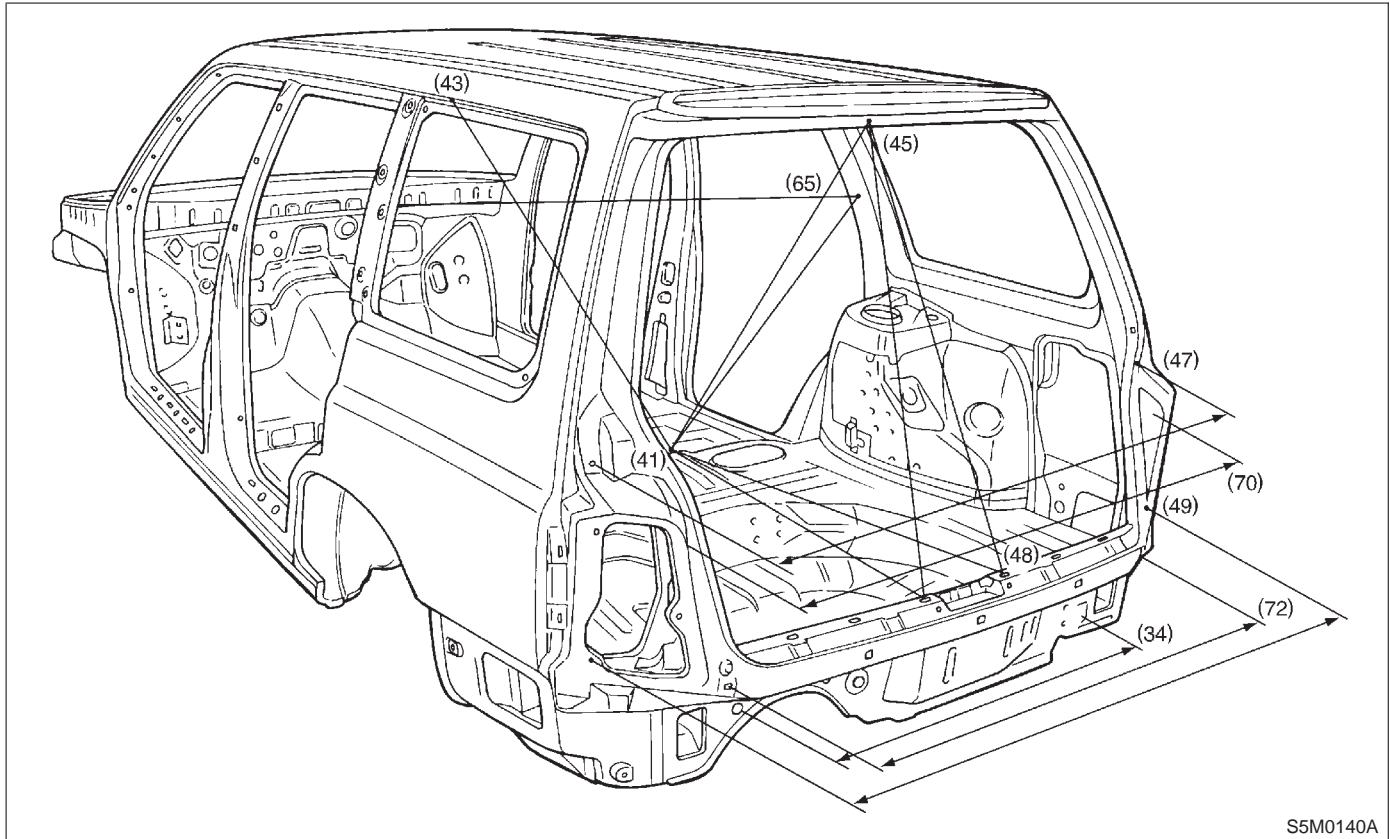
SPECIFICATIONS AND SERVICE DATA

[S3C0] **5-1**

3. Datum Dimensions

		Unit: mm (in)	
Point to point	Dimension	Point to point	Dimension
(14) L to (18) L	1,454 (57.24)	(16) L to (64) L	860 (33.86)
(14) R to (18) R	1,454 (57.24)	(16) R to (64) R	860 (33.86)
(13) L to (64) L	944 (37.17)	(20) L to (23) L	845 (33.27)
(13) R to (64) R	944 (37.17)	(20) R to (23) R	845 (33.27)
(20) L to (24) L	660 (25.98)	(19) L to (23) L	885 (34.84)
(20) R to (24) R	660 (25.98)	(19) R to (23) R	885 (34.84)
(20) L to (36)	1,484 (58.43)	(11) L to (67) R	1,170 (46.06)
(20) R to (37)	1,487 (58.54)	(11) R to (67) L	1,170 (46.06)
(42) L to (44) L	769 (30.28)	(41) to (38)	1,518 (59.76)
(42) R to (44) R	769 (30.28)	(41) to (39) R	1,581 (62.24)
(11) R to (12)	920 (36.22)	(41) to (39) L	1,581 (62.24)
(11) L to (12)	920 (36.22)	(41) to (40) R	1,499 (59.02)
(67) R to (67) L	1,045 (41.14)	(41) to (40) L	1,499 (59.02)
(11) R to (67) R	1,040 (40.94)	(41) to (15) R	1,186 (46.69)
(11) L to (67) L	1,040 (49.94)	(41) to (15) L	1,186 (46.69)
(12) to (67) L	503 (19.80)	(41) to (22) R	733 (28.86)
(12) to (67) R	503 (19.80)	(41) to (22) L	733 (28.86)
(12) to (10) L	1,027 (40.43)	(41) to (26) R	1,568 (61.73)
(12) to (10) R	1,027 (40.43)	(41) to (26) L	1,568 (61.73)
(21) R to (21) L	1,322 (52.05)	(41) to (25)	1,211 (47.68)
(15) R to (15) L	1,452 (57.17)	(41) to (12)	1,299 (51.14)
(22) R to (22) L	1,452 (57.17)	(41) to (21) R	962 (37.87)
(39) R to (39) L	1,392 (54.80)	(41) to (21) L	962 (37.87)
(40) R to (40) L	1,402 (55.20)	(41) to (17) R	1,333 (52.48)
(11) L to (17) R	1,149 (45.24)	(41) to (17) L	1,333 (52.48)
(11) R to (17) L	1,149 (45.24)		

D: LUGGAGE COMPARTMENT



S5M0140A

		Unit: mm (in)	
Point to point	Dimension	Point to point	Dimension
(45) to (48) L	913 (35.94)	(41) to (65) R	1,105 (43.50)
(45) to (48) R	913 (35.94)	(41) to (65)L	1,105 (43.50)
(45) to (47) L	876 (34.49)	(41) to (45)	1,570 (61.81)
(45) to (47) R	876 (34.49)	(41) to (43) R	1,436 (56.54)
(47) R to (47) L	1,426 (56.14)	(41) to (43) L	1,436 (56.54)
(49)R to (49) L	1,478 (58.19)	(41) to (48) L	1,576 (62.05)
(34) R to (34) L	945 (37.20)	(41) to (48) R	1,576 (62.05)
(48) R to (46) R	992 (39.06)	(65) R to (65) L	1,268 (49.92)
(48) L to (46) L	992 (39.06)	(17) R to (76)	627 (24.68)
(70) R to (70) L	1,218 (47.95)	(17) L to (76)	680 (26.77)
(61) R to (75) R	448 (17.64)	(72) R to (72) L	1,118 (44.02)
(61) L to (75) L	448 (17.64)	(74) R to (75) R	480 (18.90)
(17) R to (75) R	705 (27.76)	(74) L to (75) L	480 (18.90)
(17) L to (75) L	705 (27.76)	(17) R to (73)	518 (20.39)
(45) to (71)	913 (35.94)	(17) L to (73)	476 (18.74)