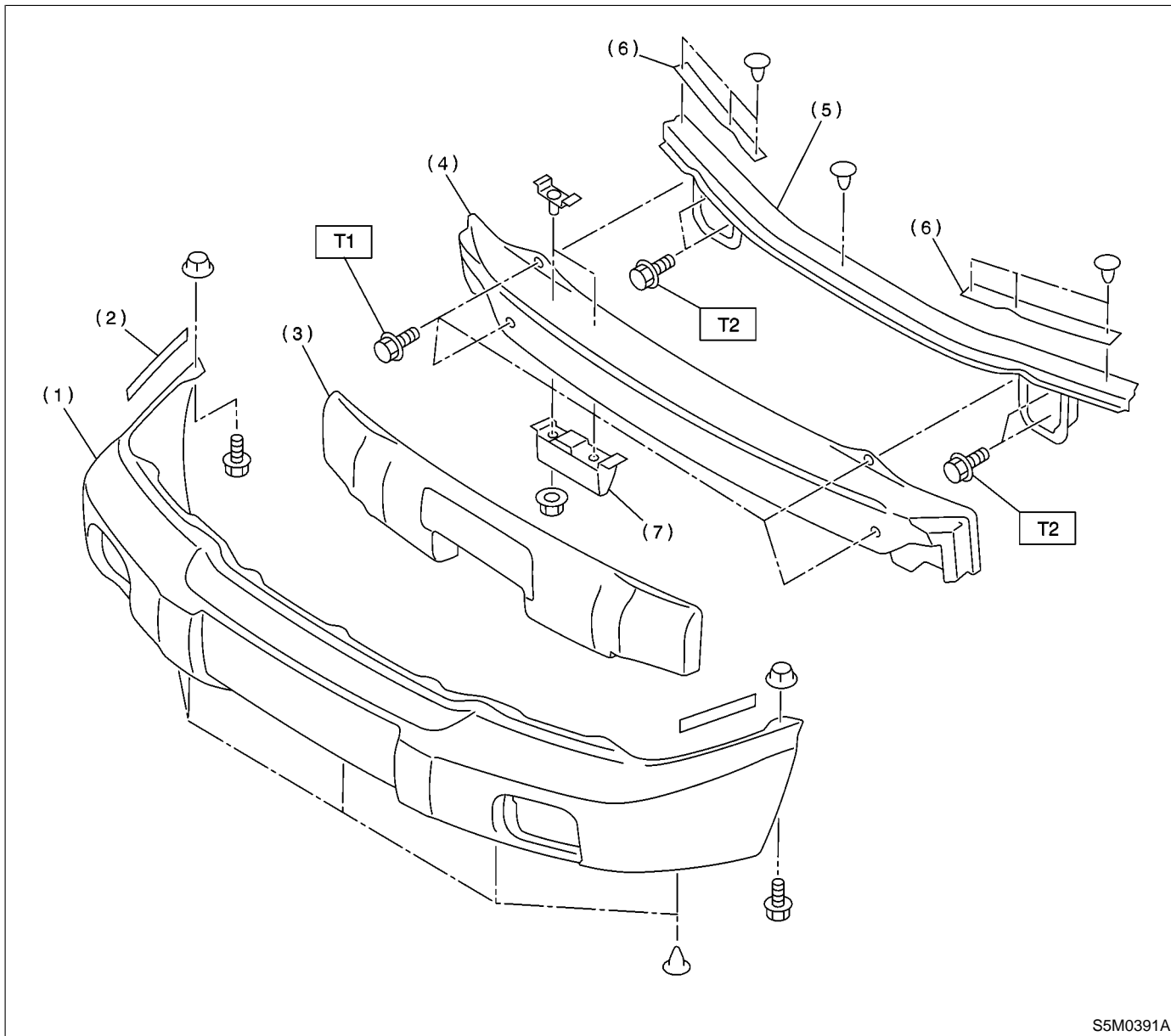


2. Front Bumper



- | | |
|--|---|
| (1) Bumper face | (5) Beam upper |
| (2) Spacer | (6) Plate |
| (3) E/A foam (Front airbag equipped vehicle) | (7) Bracket (Front airbag equipped vehicle) |
| (4) Back beam | |

Tightening torque: N·m (kg·m, ft·lb)
T1: 33±1 (3.4±0.1, 24.6±0.7)
T2: 70±1 (7.1±0.1, 51.4±0.7)