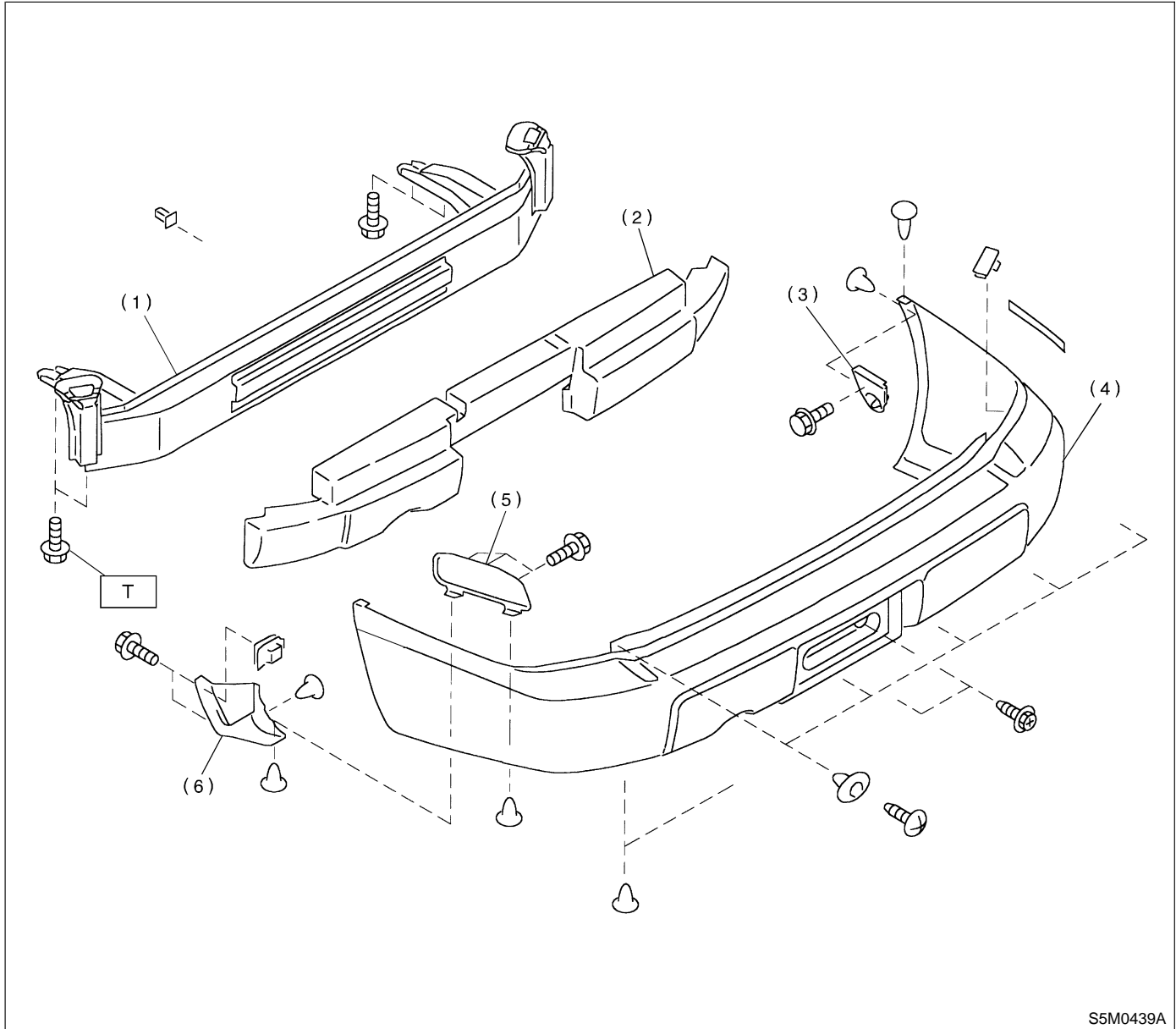


3. Rear Bumper



S5M0439A

- (1) Bumper beam
- (2) E/A foam
- (3) Side upper bracket
- (4) Bumper face
- (5) Bumper side plate
- (6) Rear arch cover

Tightening torque: N-m (kg-m, ft-lb)

T: 93±25 (9.5±2.5, 69±18)