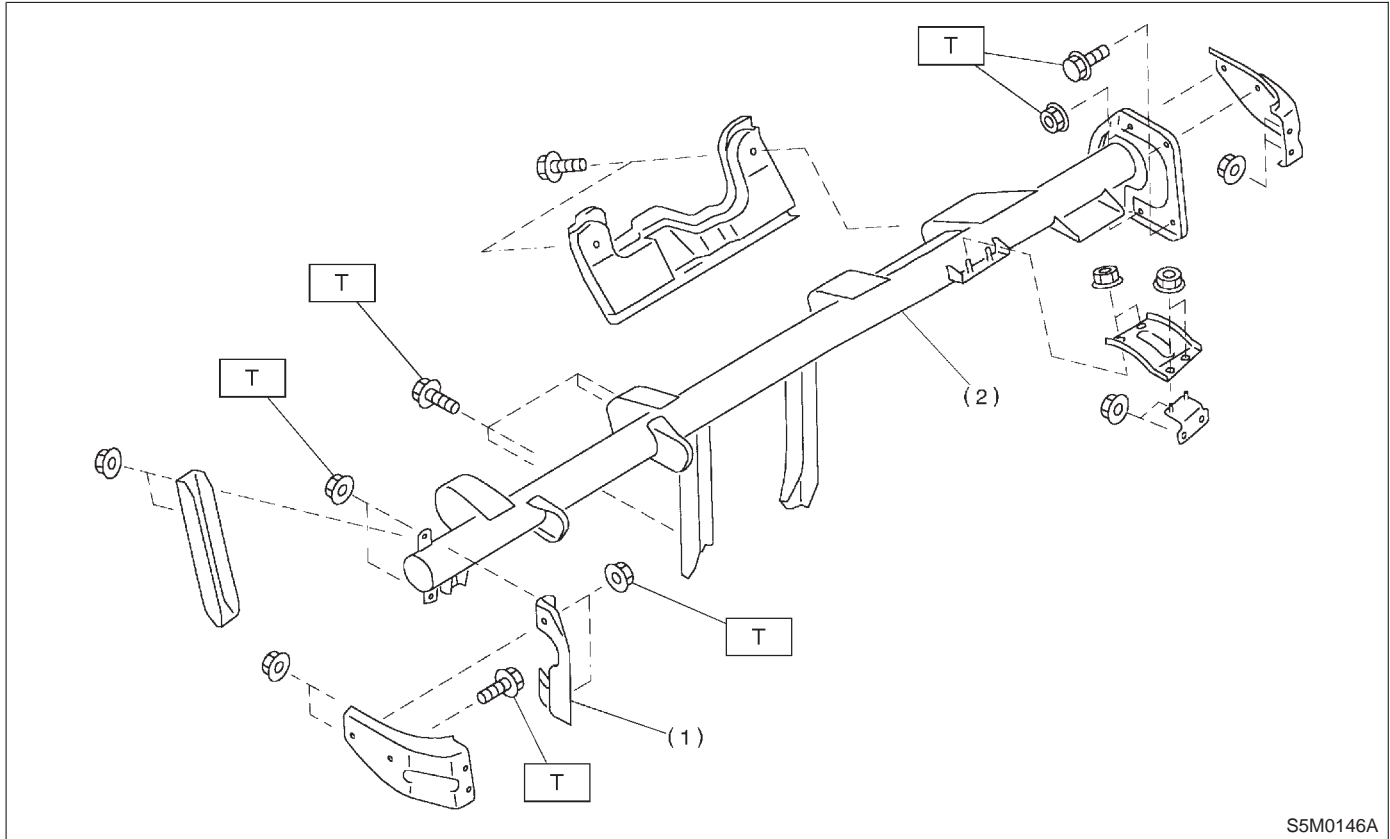


## 5. Steering Support Beam



- (1) Bracket
- (2) Steering beam

**Tightening torque: N·m (kg·m, ft·lb)**  
**T: 25±7 (2.5±0.7, 18.1±5.1)**