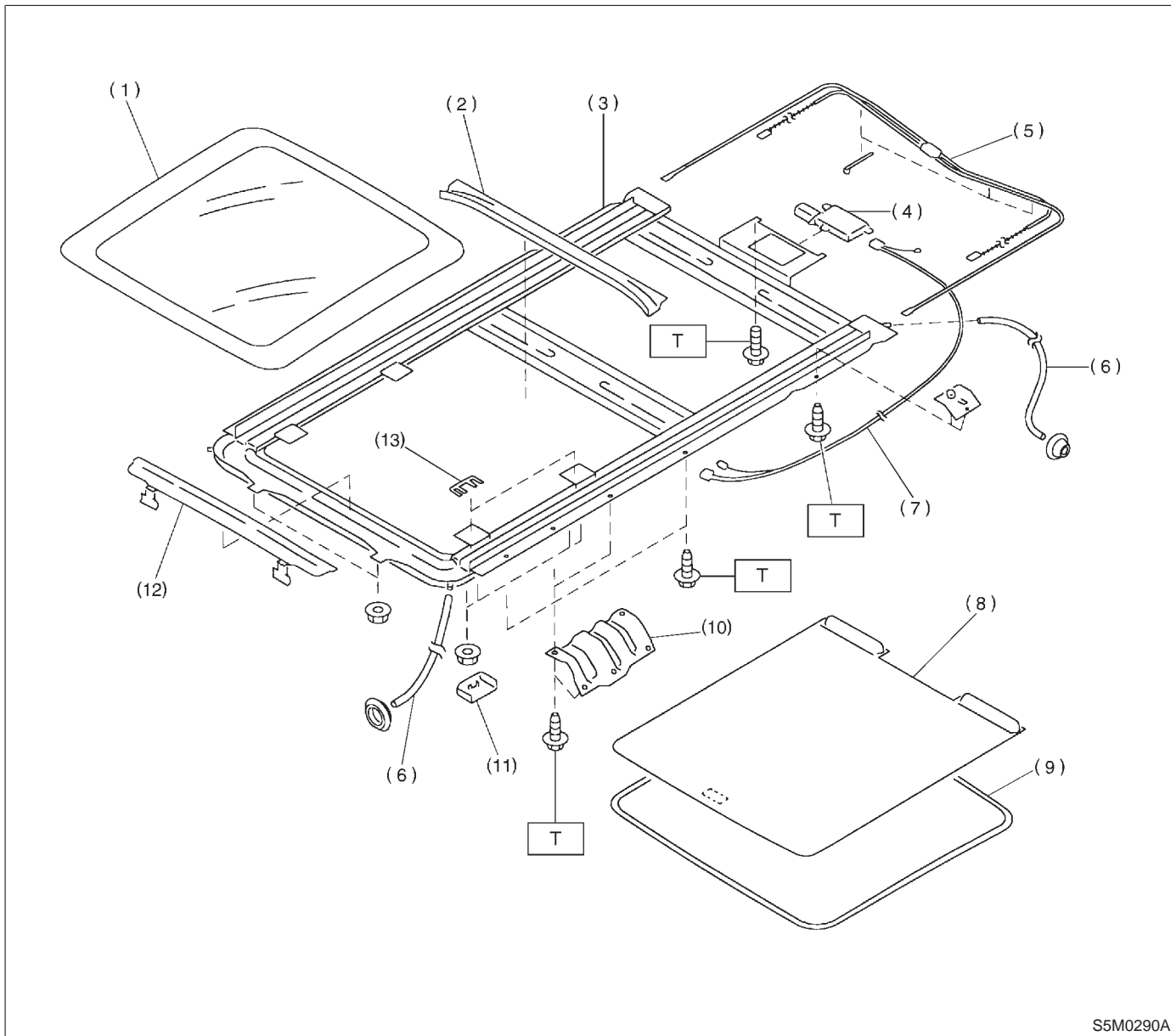


6. Sunroof



- (1) Glass lid
- (2) Rear drain ASSY
- (3) Frame ASSY
- (4) Motor ASSY
- (5) Drive unit
- (6) Drain tube

- (7) Harness
- (8) Sunshade
- (9) Garnish
- (10) Frame bracket
- (11) Cover
- (12) Deflector

- (13) Shim

Tightening torque: N·m (kg·m, ft·lb)
T: 7.4±2.0 (0.75±0.2, 5.4±1.4)