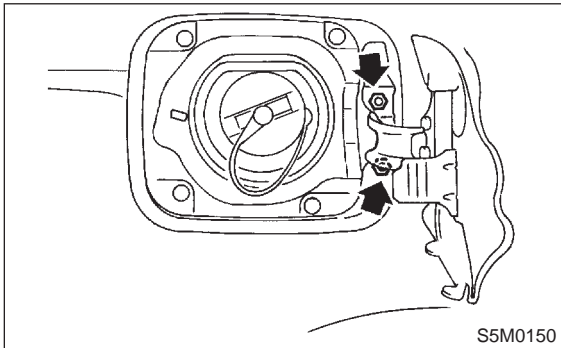


2. Fuel Flap

A: REMOVAL AND INSTALLATION

1. FUEL FLAP

- 1) Remove bolts which hold hinge to vehicle body, and detach fuel flap and hinge as a unit.



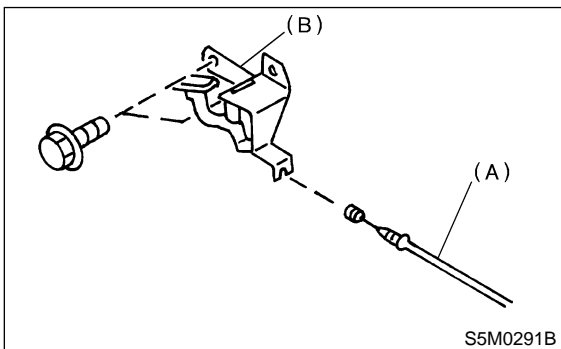
- 2) Install in the reverse order of removal.

CAUTION:

Make sure the clearance between the fuel flap and vehicle body is equal at all points.

2. FUEL FLAP OPENER

- 1) Remove driver's seat and rear seat cushion.
- 2) Turn over the floor mat (driver's side).
- 3) Remove all clips which hold cable.
- 4) Disconnect cable (A) from pull handle (B).
- 5) Detach pull handle by removing bolts.



- 6) Detach fuel lock holder by turning it.
- 7) Install in the reverse order of removal.

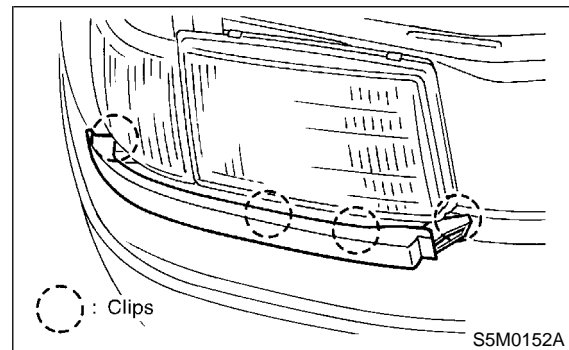
CAUTION:

After installing opener cable, ensure it moves smoothly.

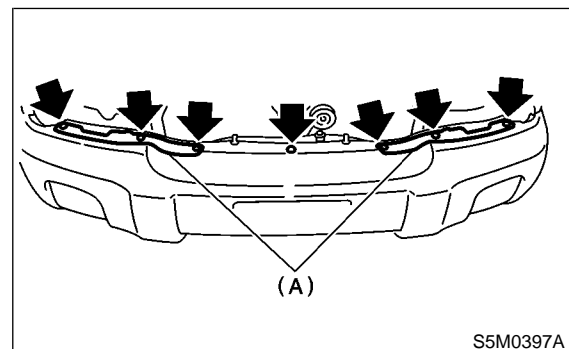
3. Front Bumper

A: REMOVAL AND INSTALLATION

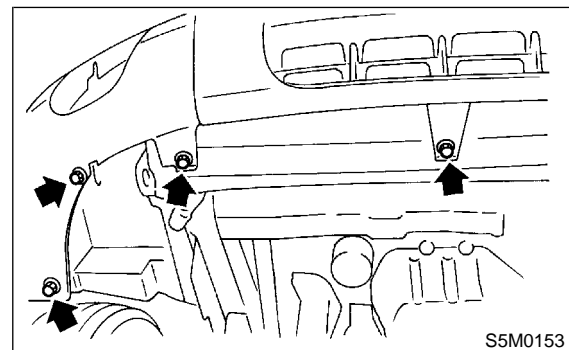
- 1) Disconnect the ground cable from the battery.
- 2) Remove front fog light. <Ref. to 6-2 [W13A0].>
- 3) Remove the front grille. <Ref. to 5-1 [W12A0].>
- 4) Remove the extension of both sides.



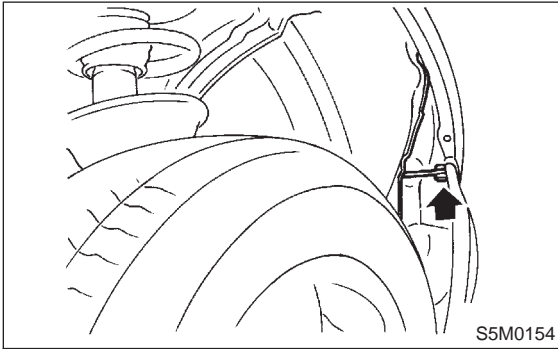
- 5) Remove the seven clips and then detach plate (A).



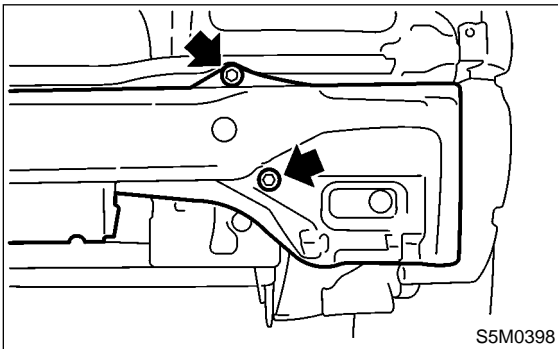
- 6) Remove under cover. <Ref. to 5-1 [W13A0].>
- 7) Remove the seven clips from under side of bumper.



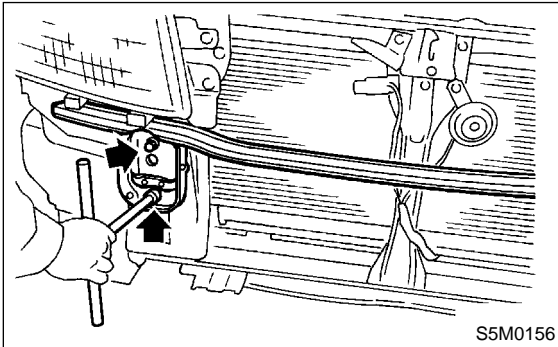
8) Turn over the front mud guard of the front portion and then remove bolt.



9) Remove bumper face and E/A foam.
10) Remove the four bolts and then detach the back beam.



11) Remove the four bolts and then detach the beam upper.



12) Install in the reverse order of removal.

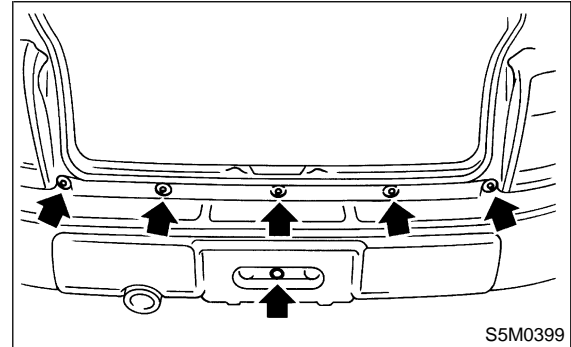
CAUTION:

- Be extremely careful to prevent scratches on bumper face as it is made of resin.
- Be careful not to scratch the body when removing or installing the bumper.

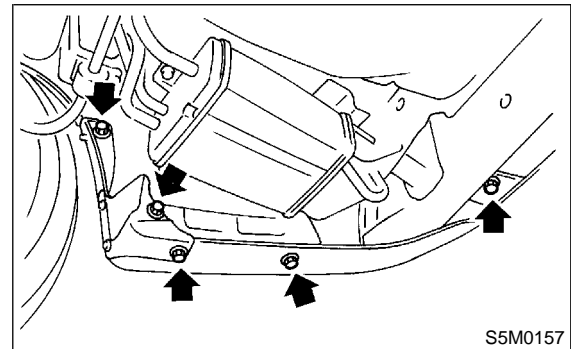
4. Rear Bumper

A: REMOVAL AND INSTALLATION

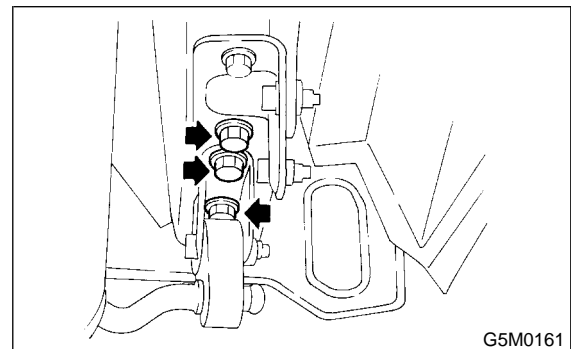
- 1) Disconnect the ground cable from the battery.
- 2) Open rear gate.
- 3) Remove the five screws and the clip from the rear bumper.



- 4) Disconnect license plate light connector.
- 5) Remove bolts and clips from under side of bumper.



- 6) Remove bumper face and E/A foam.
- 7) Remove canister. <Ref. to 2-1 [W3A0].>
- 8) Remove bolts from bumper stay.



- 9) Remove rear bumper beam.
- 10) Install in the reverse order of removal.

CAUTION:

- Be extremely careful to prevent scratches on bumper face as it is made of resin.
- Be careful not to scratch the body when removing or installing bumper.