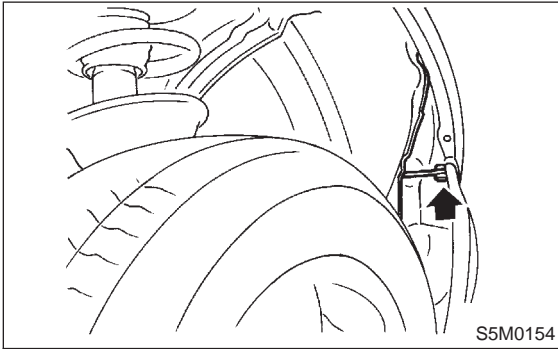
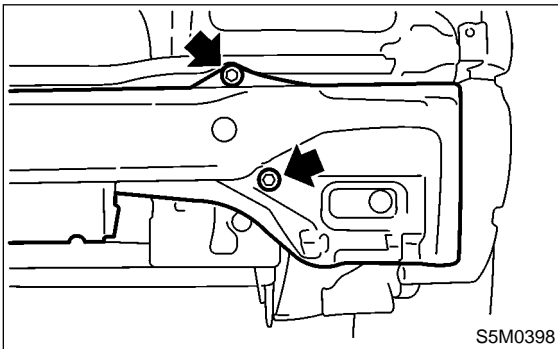


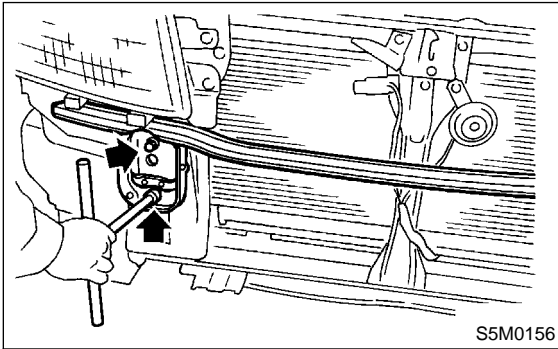
- 8) Turn over the front mud guard of the front portion and then remove bolt.



- 9) Remove bumper face and E/A foam.  
10) Remove the four bolts and then detach the back beam.



- 11) Remove the four bolts and then detach the beam upper.



- 12) Install in the reverse order of removal.

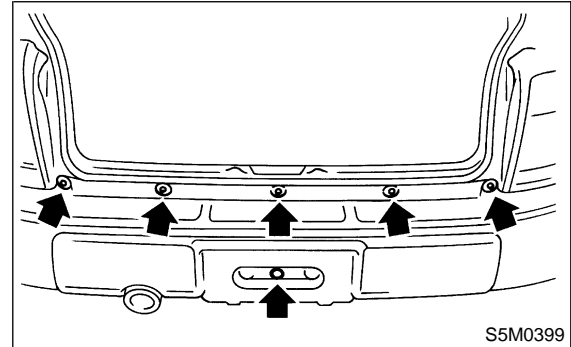
**CAUTION:**

- Be extremely careful to prevent scratches on bumper face as it is made of resin.
- Be careful not to scratch the body when removing or installing the bumper.

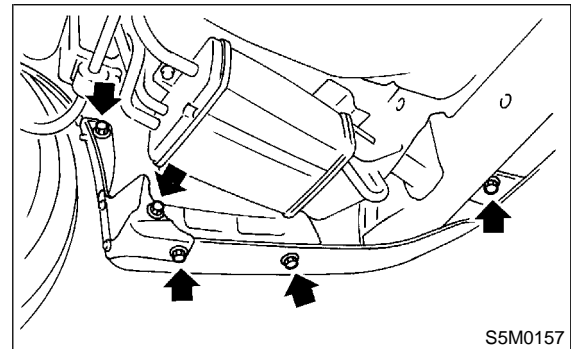
## 4. Rear Bumper

### A: REMOVAL AND INSTALLATION

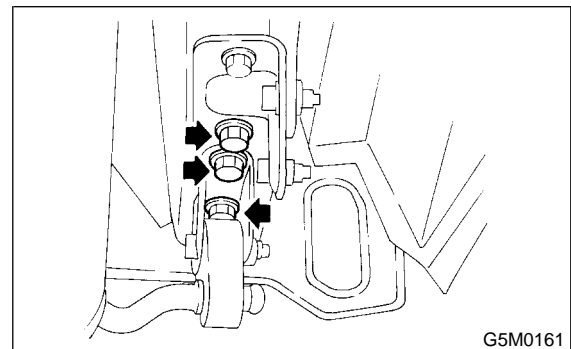
- 1) Disconnect the ground cable from the battery.
- 2) Open rear gate.
- 3) Remove the five screws and the clip from the rear bumper.



- 4) Disconnect license plate light connector.
- 5) Remove bolts and clips from under side of bumper.



- 6) Remove bumper face and E/A foam.
- 7) Remove canister. <Ref. to 2-1 [W3A0].>
- 8) Remove bolts from bumper stay.



- 9) Remove rear bumper beam.
- 10) Install in the reverse order of removal.

**CAUTION:**

- Be extremely careful to prevent scratches on bumper face as it is made of resin.
- Be careful not to scratch the body when removing or installing bumper.