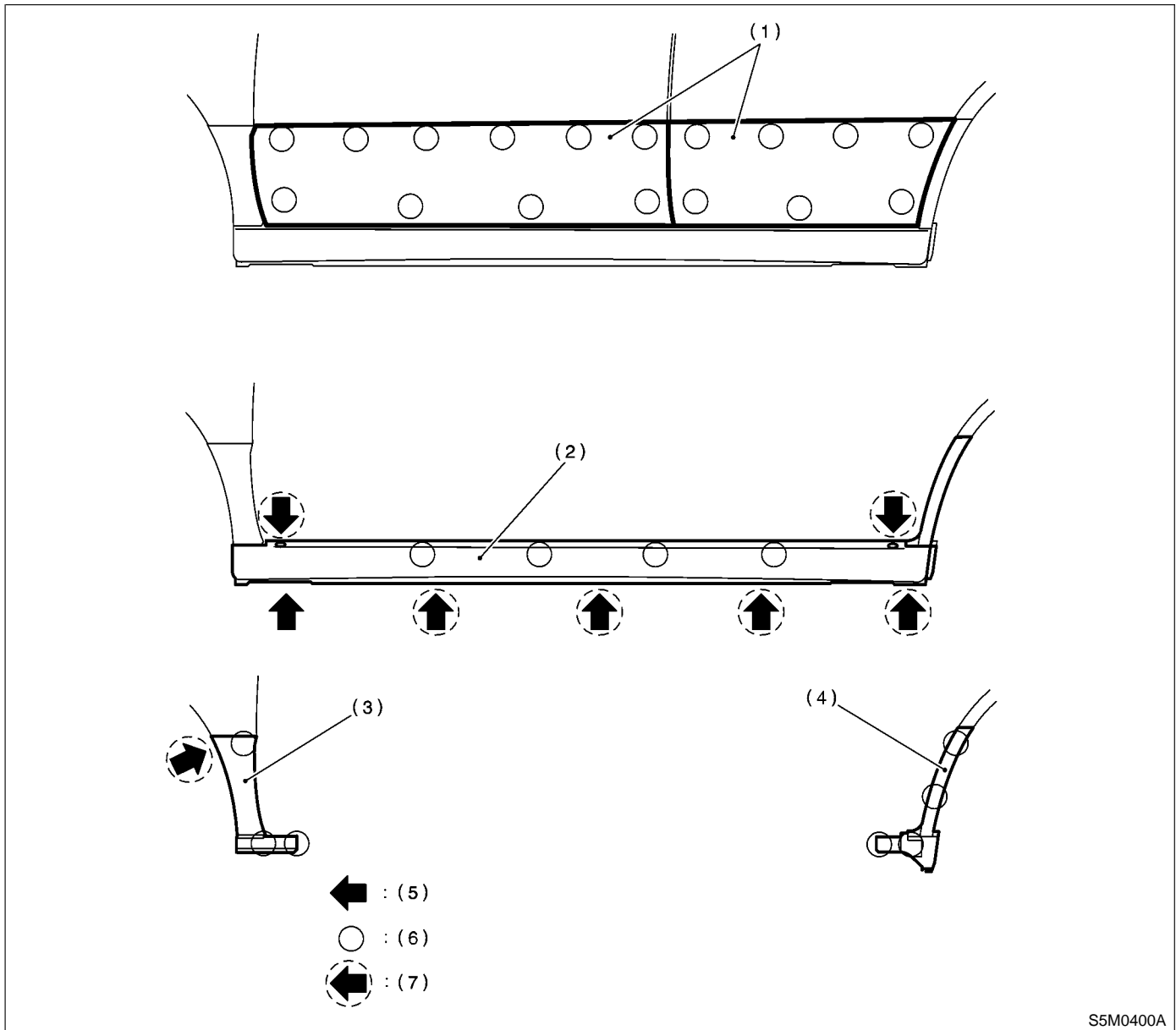


7. Side Protector

A: REMOVAL AND INSTALLATION



- (1) Side protector (Door)
- (2) Side protector (Side sill)
- (3) Side protector (Front fender)

- (4) Side protector (Rear quarter)
- (5) Screw
- (6) Clip

- (7) Clip