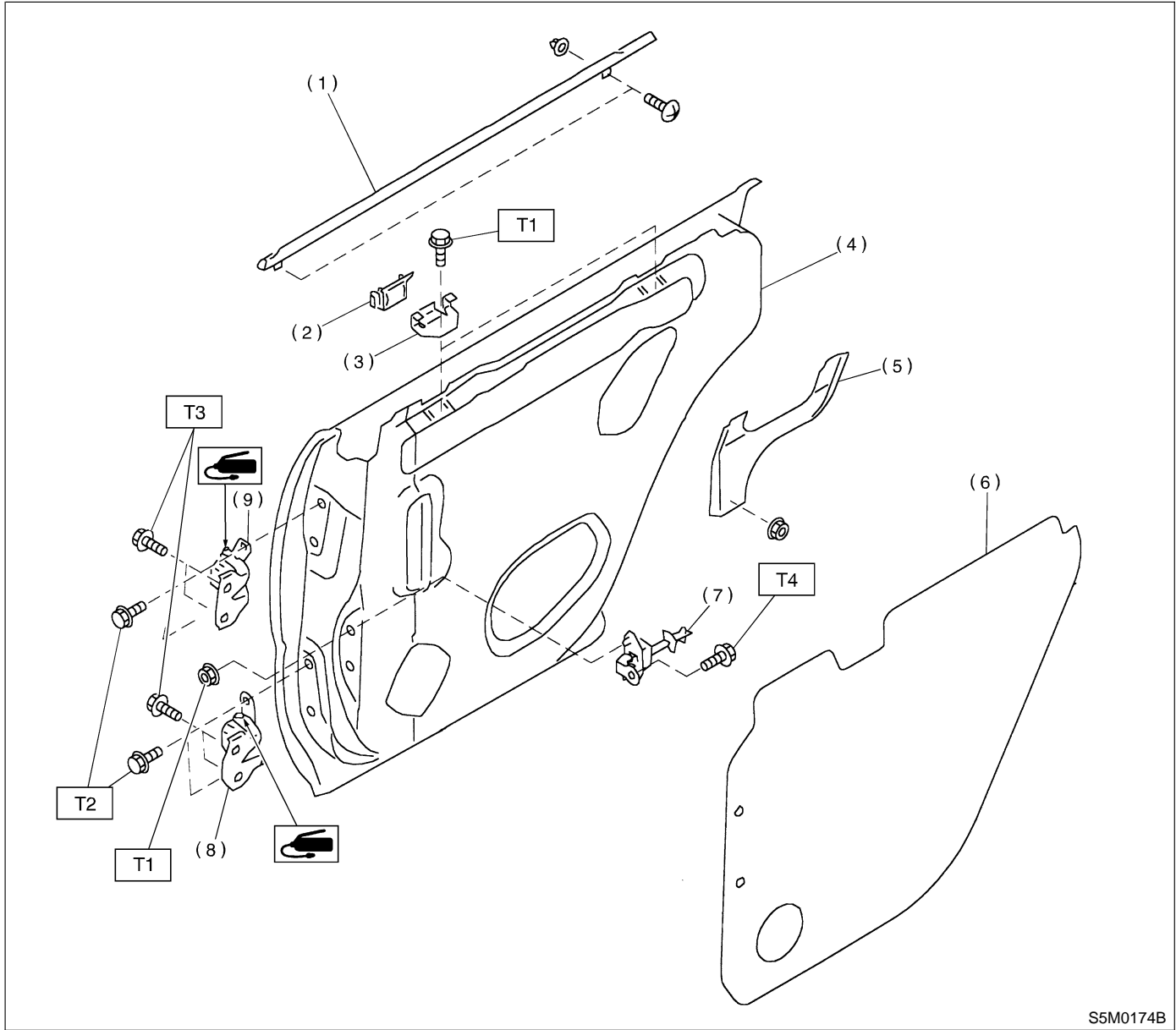


2. Rear Door



S5M0174B

- |                        |                 |
|------------------------|-----------------|
| (1) Weatherstrip       | (7) Checker     |
| (2) Stabilizer (Outer) | (8) Lower hinge |
| (3) Stabilizer (Inner) | (9) Upper hinge |
| (4) Door panel         |                 |
| (5) Plate              |                 |
| (6) Seating cover      |                 |

**Tightening torque: N·m (kg·m, ft·lb)**

**T1: 7.4±2.0 (0.75±0.2, 5.4±1.4)**

**T2: 25±3 (2.5±0.3, 18.1±2.2)**

**T3: 29±5 (3.0±0.5, 21.7±3.6)**

**T4: 32±10 (3.3±1.0, 23.9±7.2)**