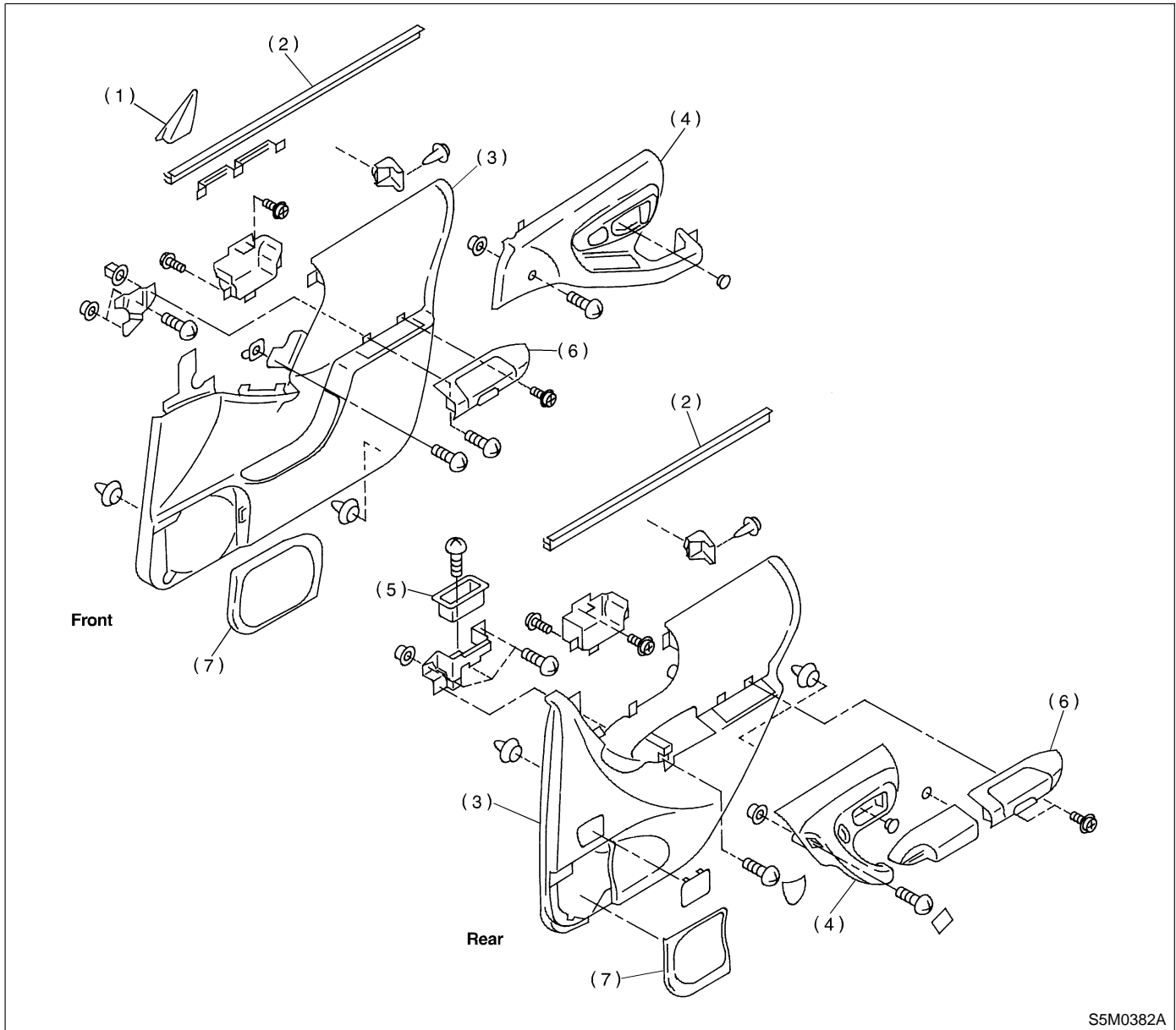


8. Door Trim



S5M0382A

- | | | |
|------------------|-----------------|--------------------|
| (1) Gusset cover | (4) Pull handle | (7) Speaker grille |
| (2) Weatherstrip | (5) Handle | |
| (3) Trim panel | (6) Pocket | |