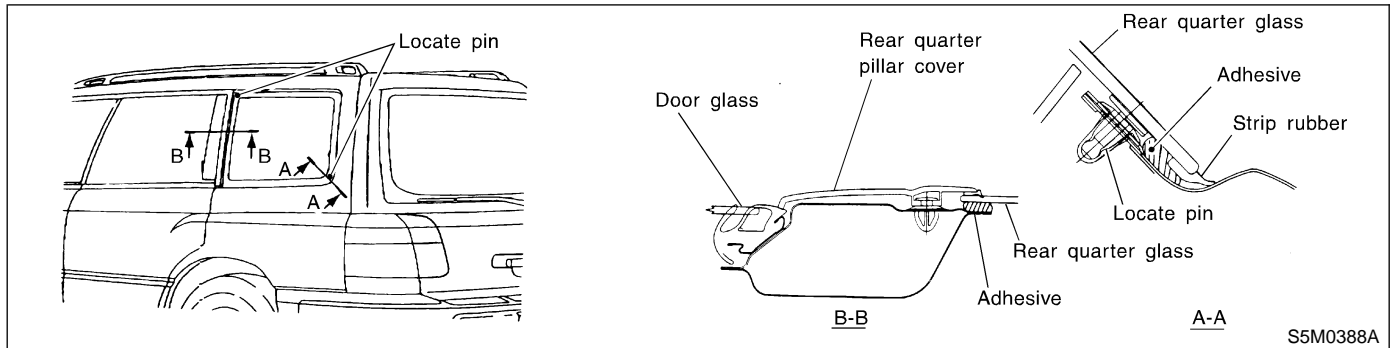


## 7. Rear Quarter Glass

### A: REMOVAL

- 1) Remove rear quarter molding on corner.
- 2) Remove glass in the same manner as windshield.

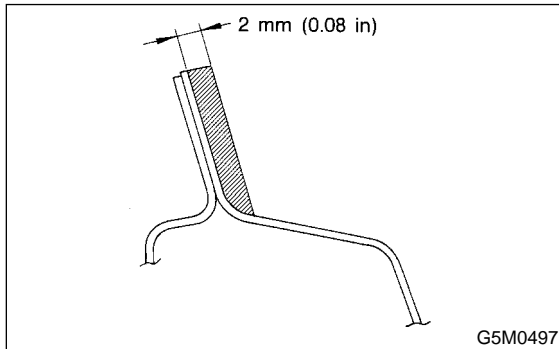


### B: INSTALLATION

- 1) Finish surface of adhesive layer on body:  
Using a putty knife, etc., cut layer of adhesive stick firmly to body and finish it into a smooth surface of about 2 mm (0.08 in) in thickness.

**CAUTION:**

Be careful not to damage body finish.



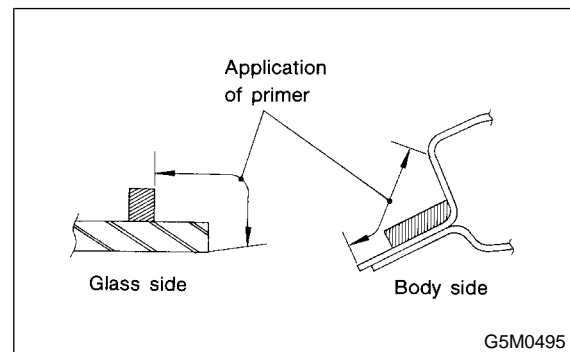
- 2) Cleaning of body surface:
  - (1) Remove chips, dirt and dust from body surface.
  - (2) Clean body wall surface and upper surface of adhesive layer with a solvent such as alcohol or white gasoline.
- 3) Cleaning glass:
  - (1) Remove dirt and dust from surface of glass to be adhered.
  - (2) Clean surface of glass to be adhered with alcohol or white gasoline.

- 4) Application of primer:

- (1) Using a sponge, apply primer to surface of glass to be adhered.
- (2) Apply primer to surface of body to be adhered.

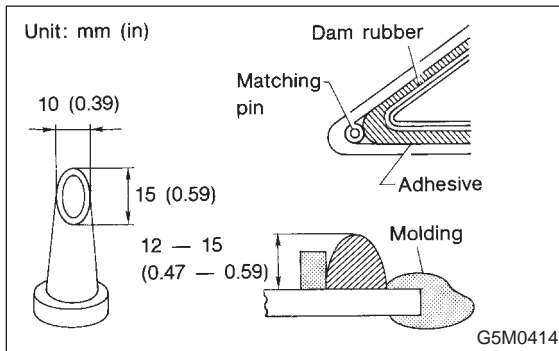
**CAUTION:**

- If primer has dropped on body finish, it is hard to wipe it off. So protect with masking.
- Primer must not project from black frame of glass.
- After applying primer, let it dry naturally for about 10 minutes.



## 5) Application of adhesive:

- (1) Cut nozzle tip as shown in the figure.

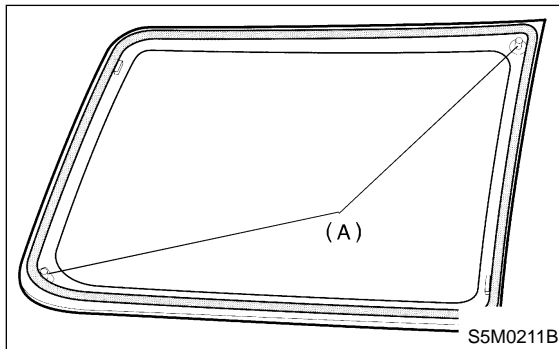


- (2) Open cartridge and put it into a gun with nozzle attached.

- (3) Apply adhesive uniformly to all sides of adhesion surface while operating gun along glass end face.

## 6) Installation of glass:

- (1) Hold glass with rubber suction cups.
- (2) Mount glass on body with matching pins (A) aligned.



- (3) Attach quickly and press all sides lightly.

## 7) Water leakage test:

After installing glass, test for water leakage after about one hour.

### CAUTION:

- Move vehicle slowly.
- When opening and closing door, lower door glass and move door gently.
- Do not squirt strong hose stream on vehicle.

## 8) Natural drying:

After completing all operations, leave vehicle alone for 24 hours.

### CAUTION:

**When delivering vehicle to user, tell him or her that vehicle should not be subjected to heavy shock for at least three days.**