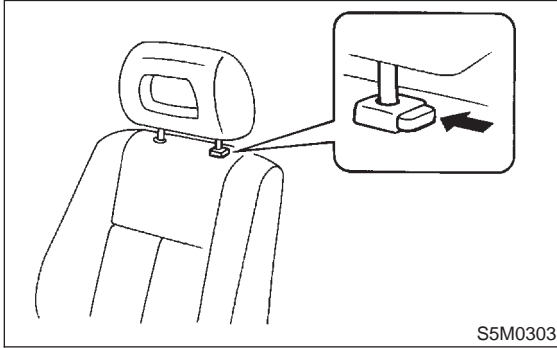


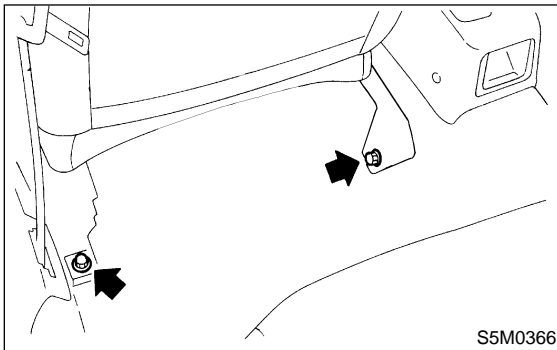
1. Front Seat

A: REMOVAL

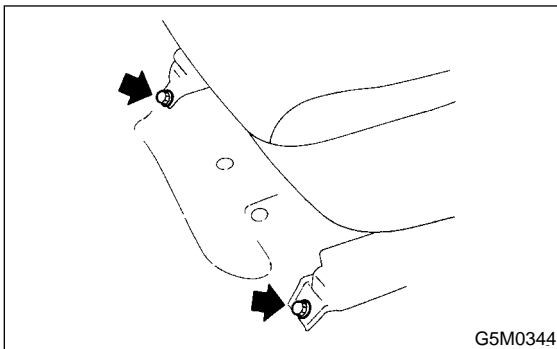
1) While operating button (located on top of backrest), lift headrest out with hand placed between backrest and headrest.



- 2) Pull reclining lever back to fold backrest all the way forward. While pulling slide adjuster lever, move seat all the way forward.
- 3) Remove bolt cover at rear end of slide rail.
- 4) Remove bolts securing seat rear.



- 5) While pulling slide adjuster lever, slide seat all the way back.
- 6) Remove bolts securing front of seat.



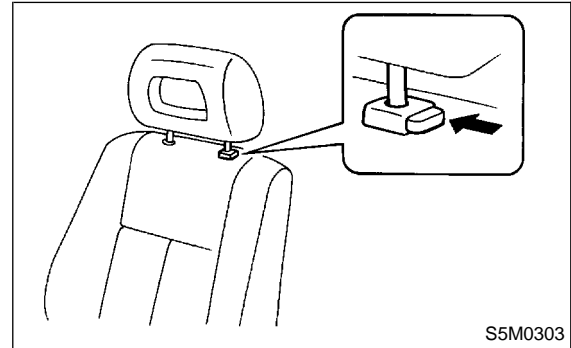
7) While disconnecting side airbag connector, detach front seat. (Side airbag equipped vehicle) <Ref. to 5-5 [M2F2].> and inner belt connector.

CAUTION:

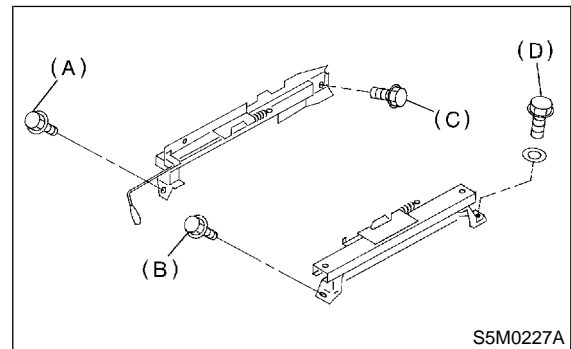
- Be careful not to scratch seat when removing it from vehicle.
- After the front seat has been removed from side airbag equipped vehicle, store it as instructed in section 5-5 AIRBAG REPAIR SECTION. <Ref. to 5-5 [W3A0].>

B: INSTALLATION

1) While operating button (located on top of backrest), lift headrest out by placing your hand between backrest and headrest.



- 2) Pull reclining lever back to fold backrest all the way forward. Pull slide adjuster lever and move lower slide rail all the way backward.
- 3) Position seat in compartment and align the holes on the seat with the holes on the vehicle body side.
- 4) Secure the front of seat using inward and outward bolts (A) and (B) in that order.
- 5) While pulling slide adjuster lever, move seat all the way forward.
- 6) Secure the rear of seat using inward and outward bolts (C) and (D).



- 7) Connect inner belt connector.
- 8) Connect side airbag connector. (Side airbag equipped model)

CAUTION:

Check that all lock plate pawls are completely and equally inserted into the holes in the slide rail brackets.

9) After installation, ensure that all mechanisms operate properly and lock.

10) If any mechanism does not function properly, loosen bolts (C) and (D), slide seat as required, insert all lock plate pawls into holes in slide rail brackets, and tighten bolts (C) and (D) in that order.

11) Install bolt cover on rear end of slide rail.

12) Install headrest on backrest.

NOTE:

Tighten bolts in the designated order.

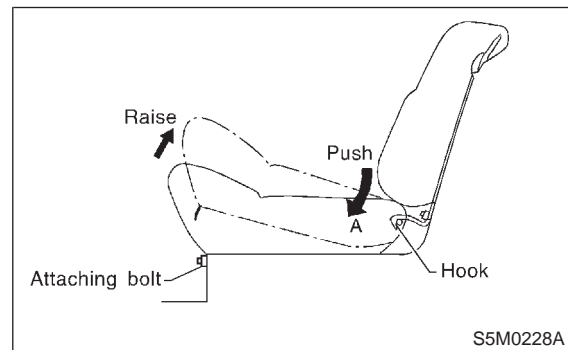
2. Rear Seat

A: REMOVAL AND INSTALLATION

1. CUSHION

1) Remove bolts securing hinges (located at front of cushion) to body.

2) Slightly raise front of cushion while pushing down on cushion in the direction of "A". With cushion held in that position, move it forward until it is unhooked.



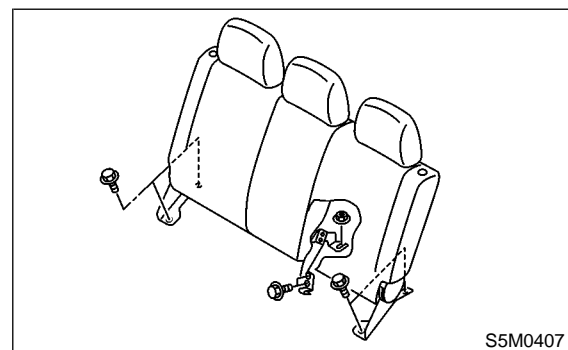
3) Install in the reverse order of removal.

2. BACKREST

1) Remove cushion. <Ref. to 5-3 [W2A1].>

2) Remove rear quarter lower trim. <Ref. to 5-3 [W5A2].>

3) Remove bolts and nuts.



4) Detach backrest.

5) Install in the reverse order of removal.

CAUTION:

- Before installing seat, ensure that seat belt is placed on cushion.
- Confirm that winding of three-point type seat belt can operate regularly.