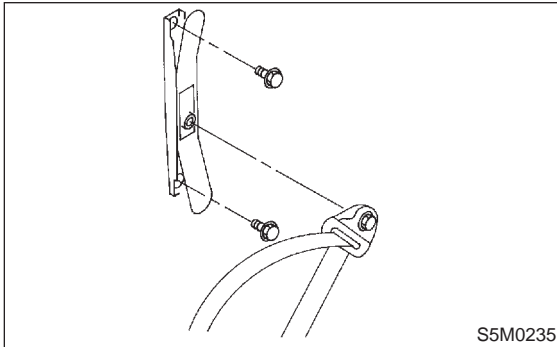


3. ADJUSTABLE SHOULDER ANCHOR

- 1) Remove shoulder anchor bolt. <Ref. to 5-3 [W3A1].>
- 2) Remove center pillar cover. <Ref. to 5-3 [W5A1].>
- 3) Remove center pillar upper trim. <Ref. to 5-3 [W5A1].>
- 4) Remove adjustable shoulder anchor assembly.



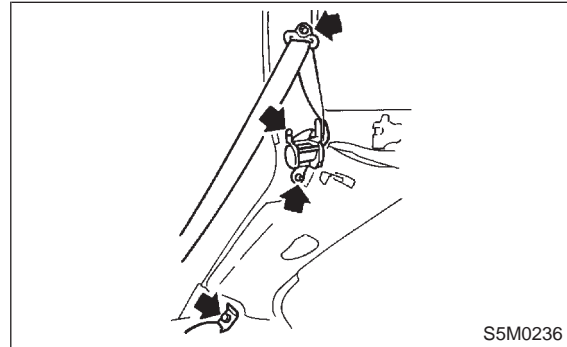
- 5) Install in the reverse order of removal.

4. Rear Seat Belt**A: REMOVAL AND INSTALLATION****WARNING:**

Replace rear seat belt worn by occupants of a vehicle that has been in a serious accident. The entire assembly should be replaced even if damage is not obvious.

1. OUTER BELT (OUTSIDE)

- 1) Remove rear cushion. <Ref. to 5-3 [W2A1].>
- 2) Remove rear backrest. <Ref. to 5-3 [W2A2].>
- 3) Remove rear quarter upper trim and rear quarter lower trim. <Ref. to 5-3 [W5A2].>
- 4) Remove anchor cover and then remove anchor bolt.
- 5) Remove bolt and nut and then detach outer belt assembly.



- 6) Install in the reverse order of removal.

NOTE:

Ensure that seat belt is properly reeled on and off after installation of ELR.

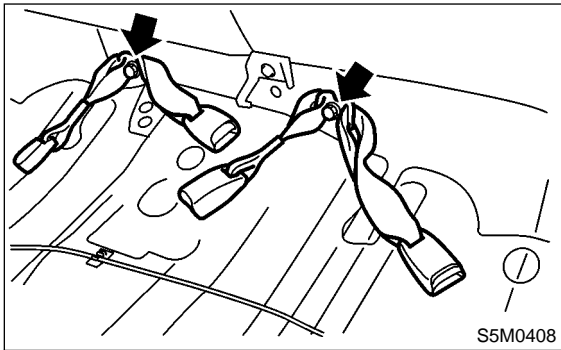
CAUTION:

- Be extremely careful not to confuse center seat anchor plate with outer seat anchor plate during installation.
- Ensure that seat belts are free from twisting after installation.
- Ensure that tongues, buckles and belts are properly placed on seat.

4. Rear Seat Belt

2. INNER BELT

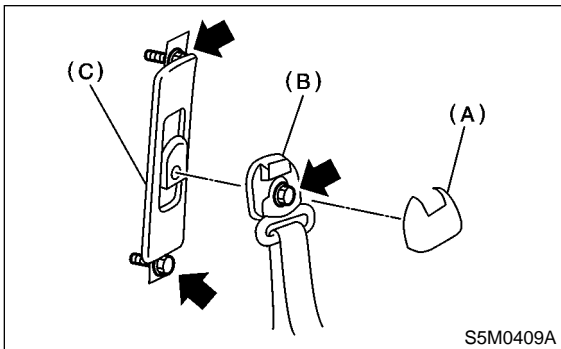
- 1) Remove rear cushion. <Ref. to 5-3 [W2A1].>
- 2) Remove bolts and then remove inner belt.



- 3) Install in the reverse order of removal.

3. ADJUSTABLE SHOULDER ANCHOR

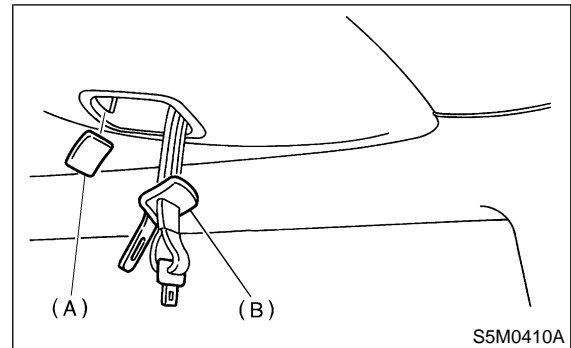
- 1) Remove anchor cover (A) and anchor (B). <Ref. to 5-3 [W4A1].>
- 2) Remove rear quarter upper trim. <Ref. to 5-3 [W5A2].>
- 3) Remove adjustable shoulder anchor (C).



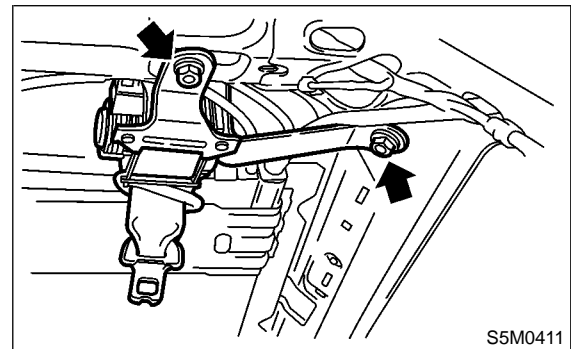
- 4) Install in the reverse order of removal.

4. OUTER BELT (CENTER)

- 1) Remove rear end of roof trim, then hang down roof trim. <Ref. to 5-3 [W5A4].>
- 2) Remove cover (A), then pass the tongue (B) from roof trim hole.



- 3) Loosen bolts and then detach outer belt center.



- 4) Install in the reverse order of removal.

NOTE:

Ensure that seat belt is properly reeled on and off after installation of ELR.