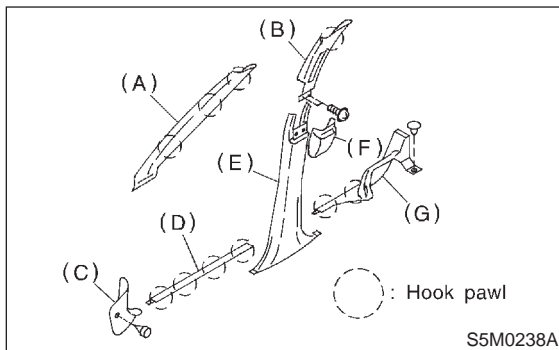


5. Inner Trim Panel

A: REMOVAL AND INSTALLATION

1. FRONT SECTION

- 1) Removal order of trim panel:
 - (1) Remove front pillar upper trim (A).
 - (2) Remove front pillar lower trim (C).
 - (3) Remove side sill front upper cover (D).
 - (4) Remove rear seat cushion and then remove side sill rear upper cover (G).
 - (5) Remove center pillar cover (F).
 - (6) Remove front seat belt anchor. <Ref. to 5-3 [W3A1].>
 - (7) Remove screws and then remove center pillar upper trim (B).
 - (8) Remove center pillar lower trim (E).



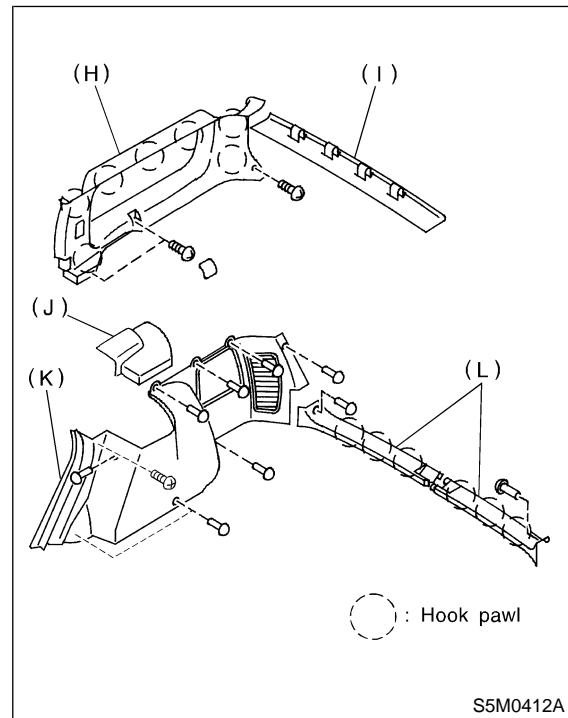
- 2) Install in the reverse order of removal.

CAUTION:

Be sure to securely hook pawls of inner trim panel on body flange.

2. REAR SECTION

- 1) Removal order of trim panel:
 - (1) Remove rear rail trim (I).
 - (2) Remove strut cover (J).
 - (3) Remove rear outside seat belt anchor. <Ref. to 5-3 [W4A1].>
 - (4) Remove caps and screws then remove rear quarter upper trim (H).
 - (5) Remove rear skirt trim (L).
 - (6) Remove rear floor box and then remove rear quarter lower trim (K).



- 2) Install in the reverse order of removal.

CAUTION:

Be sure to securely hook pawls of inner trim panel on body flange.

3. FLOOR SECTION

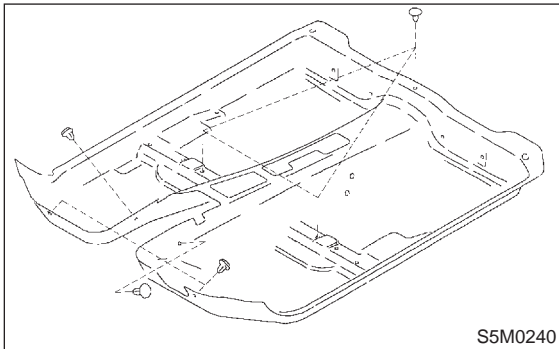
1) Removal order of floor mat:

- (1) Remove front seats. <Ref. to 5-3 [W1A0].>
- (2) Remove rear seat cushion. <Ref. to 5-3 [W2A1].>
- (3) Remove console box, depending on the specifications. <Ref. to 5-4 [W1A0].>
- (4) Remove front pillar lower trim panel. <Ref. to 5-3 [W5A1].>
- (5) Remove center pillar lower trim panel. <Ref. to 5-3 [W5A1].>
- (6) Remove side sill cover. <Ref. to 5-3 [W5A1].>
- (7) Remove clips from floor mat.

NOTE:

When pulling out edge, do not pull mat alone; pull mat together with edge. Pry off two steel clips on side sill front cover and one on side sill rear cover using screwdriver.

- (8) Remove mat hook.
- (9) Remove mat from toe board area.
- (10) Remove mat from rear heater duct.
- (11) Roll mat, and take it out of opened rear door.



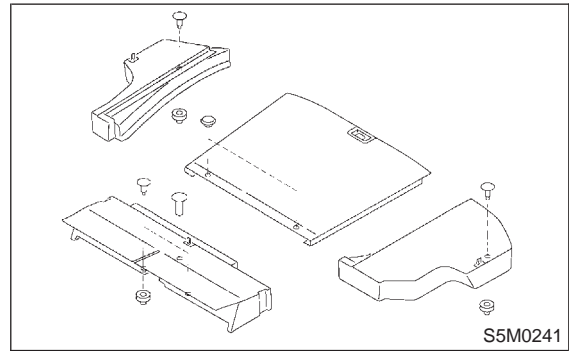
(12) Install in the reverse order of removal.

NOTE:

- Secure mat firmly with hook and velcro tape.
- Insert mat edge firmly into the groove of side sill cover.

2) Removal order of rear floor box:

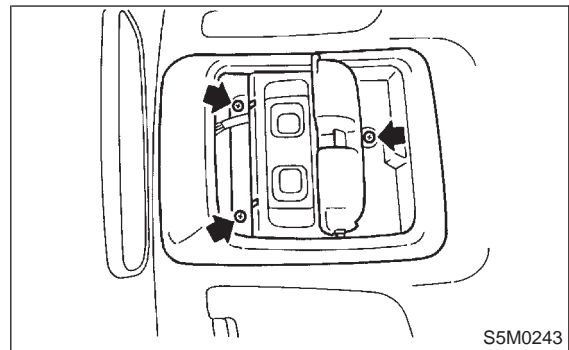
(1) Remove clips and then detach rear floor boxes.



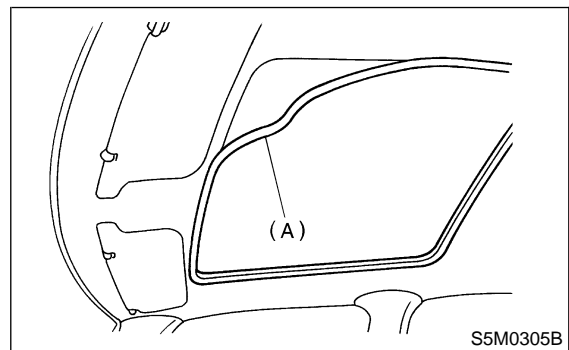
(2) Install in the reverse order of removal.

4. ROOF TRIM

1) Remove head console.

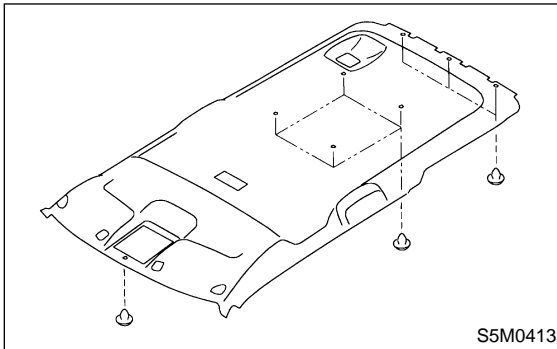
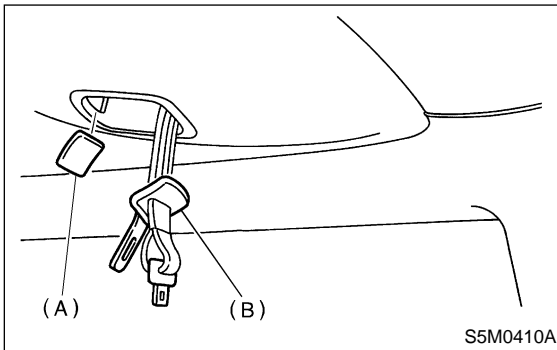


- 2) Remove sunvisor and assist rail.
- 3) Remove front pillar upper trim and center pillar upper trim <Ref. to 5-3 [W5A1].>, rear quarter upper trim and rear rail trim. <Ref. to 5-3 [W5A2].>
- 4) Detach sunroof garnish (A). (Sunroof equipped model)



5) Using ST, remove clips.
ST 925580000 PULLER

6) While detaching snap lock carefully, remove cover (A). Pass outer belt center tongue (B) through hole on roof trim, then remove roof trim.



7) Install in the reverse order of removal.

CAUTION:

When removing clip, use great care to prevent damaging the roof trim.

NOTE:

When installing roof trim, pass the outer belt center tongue through hole on roof trim.

MEMO: