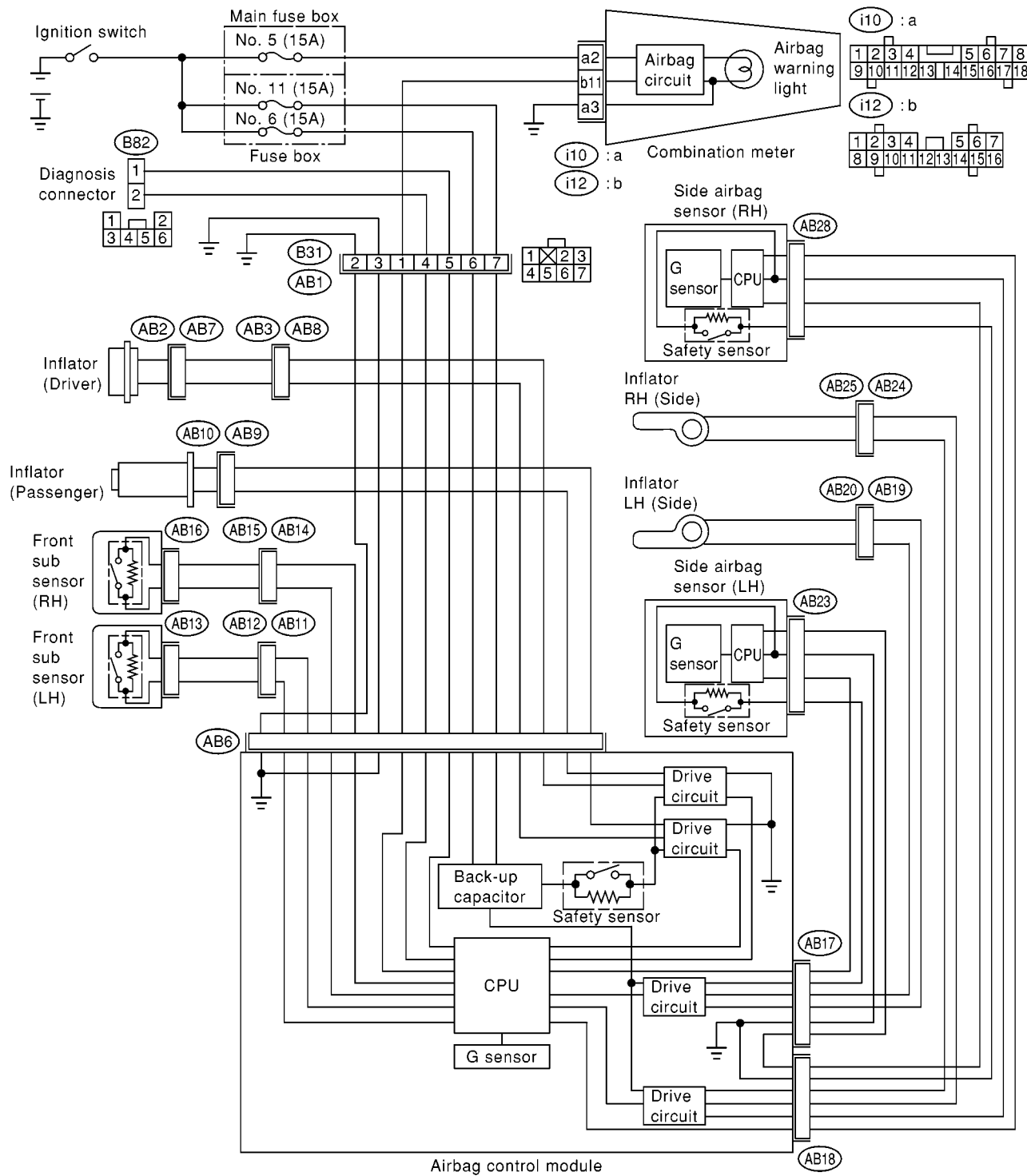


2. Schematic



S5M0368A