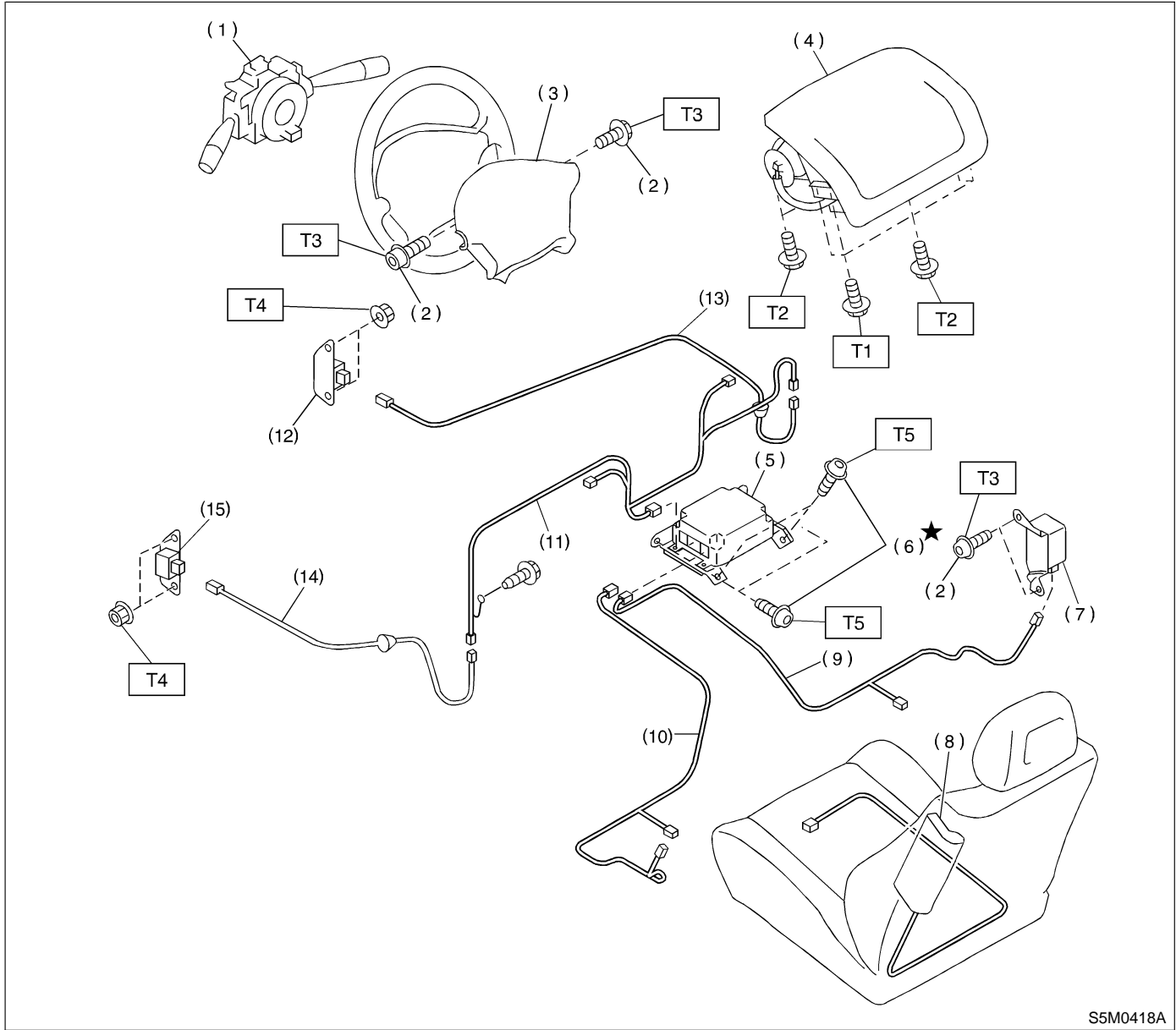


1. SRS Airbag



S5M0418A

- | | |
|---|------------------------------------|
| (1) Combination switch ASSY with roll connector | (8) Side airbag module |
| (2) TORX® bolt T30 | (9) Side airbag harness (RH) |
| (3) Airbag module ASSY (Driver) | (10) Side airbag harness (LH) |
| (4) Airbag module ASSY (Passenger) | (11) Airbag main harness |
| (5) Airbag control module | (12) Front sub sensor (RH) |
| (6) TORX® bolt T40 | (13) Front sub sensor harness (RH) |
| (7) Side airbag sensor | (14) Front sub sensor harness (LH) |
| | (15) Front sub sensor (LH) |

Tightening torque: N·m (kg·m, ft·lb)

T1: 4.4±1.5 (0.45±0.15, 3.3±1.1)

T2: 7.4±2.0 (0.75±0.2, 5.4±1.4)

T3: 10±2 (1.0±0.2, 7.2±1.4)

T4: 20±4 (2.0±0.4, 14.5±2.9)

T5: 25±2 (2.5±0.2, 18.1±1.4)