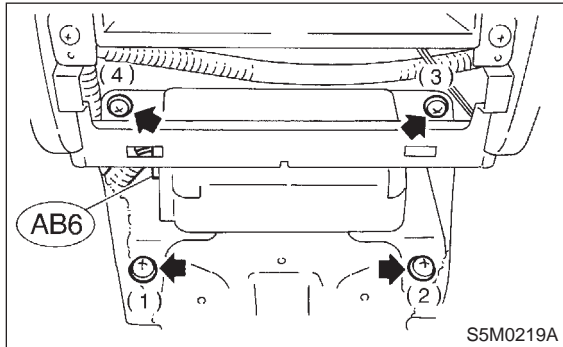


6) Using T40 TORX® bit (Tamper resistant type), remove the four TORX® bolts in numerical sequence shown in figure. Discard the old TORX® bolts.

CAUTION:

Use new TORX® bolts during re-assembly.



7) Install in the reverse order of removal.

7. Side Airbag Sensor

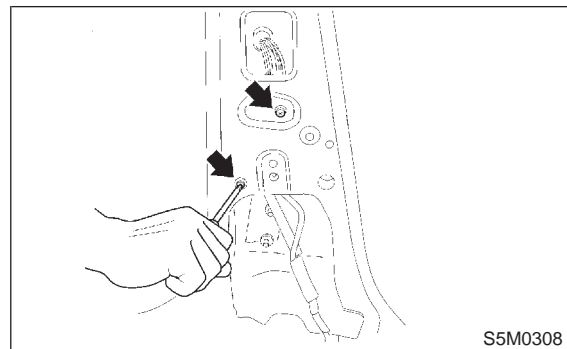
A: REMOVAL AND INSTALLATION

CAUTION:

● If the side of the vehicle body is damaged by a collision, be sure to check the left and right side airbag sensors, even if the airbag was not inflated. If any damage to the sensor or any deformation of the sensor mount is found, replace with a new genuine part.

● When painting or performing sheet metal work on the side part of vehicle body, including the side sill, center pillar, front and rear doors, take utmost care not to apply dryer heat, painting mist, or the flame of the welding burner directly to the side airbag sensors and wire harness of the airbag system.

- 1) Turn ignition switch off.
- 2) Disconnect ground cable from battery and wait for at least 20 seconds before starting work.
- 3) Remove center pillar lower trim. <Ref. to 5-3 [W5A1].>
- 4) Detach ELR of front seat belt. <Ref. to 5-3 [W3A0].>
- 5) Remove the two TORX® bolts and then detach side airbag sensor while disconnecting connector. <Ref. to 5-5 [M2F4].>



6) Install in the reverse order of removal.